

## Priming Assisted Centrifugal Pump



Model PAH4C60C-B

Size 6" x 4"

**PUMP SPECIFICATIONS****Size:** 6" x 4" (152 mm x 102 mm) Flanged.**Casing:** Ductile Iron 65-45-12.

Maximum Casing Pressure 291 psi (2006 kPa).\*

Maximum Operating Pressure 250 psi (1723 kPa) at Temperatures up to 100° F (37° C) Based on System Component Limitations.\*

**Enclosed Type, Five Vane Impeller:** Ductile Iron 65-45-12.

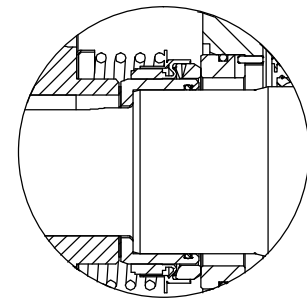
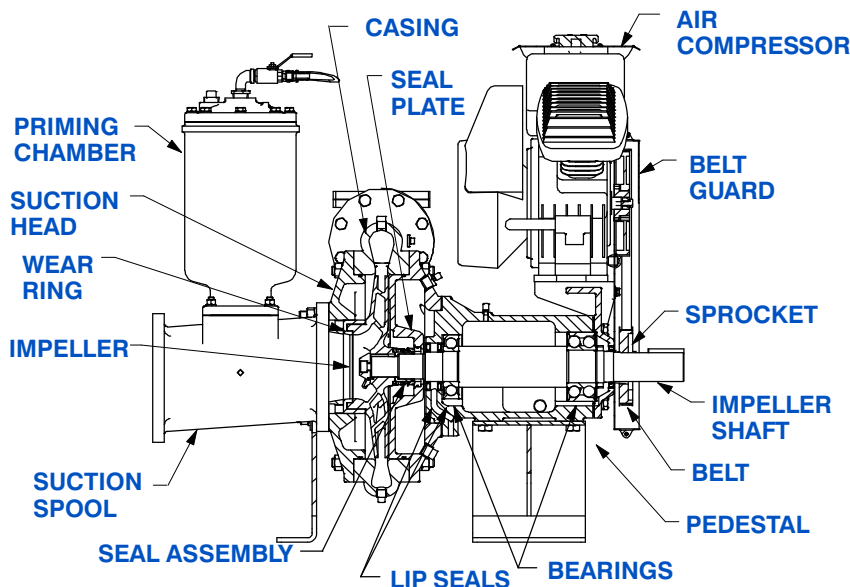
Handles 1/2" (12,7 mm) Diameter Spherical Solids.

**Suction Head:** Ductile Iron 65-45-12**Suction Spool:** Gray Iron 30.**Impeller Shaft:** Alloy Steel 4150M.**Replaceable Wear Ring:** Ductile Iron 65-45-12.**Bearing Pedestal:** Gray Iron 30.**Seal Plate:** Gray Iron 30.**Shaft Sleeve:** Stainless Steel 303/304.**Priming Chamber:** Gray Iron 30 Housing w/Stainless Steel Float and Linkage.**Discharge Check Valve:** Ductile Iron Housing with Welded Nickel Seat and Buna-N Flapper.**Radial Bearing:** Open Single Ball.**Thrust Bearing:** Open Double Ball.**Bearing Cavity Lubrication:** Lithium EP2 Grease.**Gaskets:** Buna-N and Red Rubber.**O-Rings:** Buna-N.**Hardware:** Standard Plated Steel.**Seal Cavity Oil Level Sight Gauges.**

\* Consult Factory for Applications Exceeding Maximum Pressure and/or Temperature Indicated.

**Standard Equipment:** Belt Driven Air Compressor. Strainer.**Optional Equipment:** Base. NPT Threaded Flange Kit. Coupling. TEFC Motor. Heated Priming Chamber Kit. Suction Vacuum and Discharge Pressure Gauge Kit.**WARNING!**

Do not use in explosive atmosphere or for pumping volatile flammable liquids.

**SEAL DETAIL**

Mechanical, SAE 30 Non-Detergent Oil-Lubricated. Silicon Carbide Rotating Face and Stationary Seat. Fluorocarbon Elastomers (DuPont Viton® or Equivalent). Stainless Steel 316 Cage and Spring. Maximum Temperature of Liquid Pumped 160°F (71°C).\*



GORMAN-RUPP PUMPS

www.grpumps.com

Specifications Subject to Change Without Notice

Printed in U.S.A.

