



# PUMP MODEL RD4A31 – BAR

**MANUAL  
PART 2 of 3**

**PARTS  
LIST  
WITH  
PERFORMANCE CURVE**

**GORMAN-RUPP PUMPS**

[www.grpumps.com](http://www.grpumps.com)

Register your new  
Gorman-Rupp pump online at  
**[www.grpumps.com](http://www.grpumps.com)**

Valid serial number and e-mail address required.

**RECORD YOUR PUMP MODEL AND SERIAL NUMBER**

Please record your pump model and serial number in the spaces provided below. Your Gorman-Rupp distributor needs this information when you require parts or service.

Pump Model: \_\_\_\_\_  
Serial Number: \_\_\_\_\_

## PERFORMANCE CURVE – SECTION A

### RECORDING MODEL AND SERIAL NUMBERS

Please record the pump model and serial number in the spaces provided below and in the separate Installation/Operation Manual accompanying your pump. Your Gorman-Rupp distributor needs this information when you require parts or service.

Pump Model: \_\_\_\_\_

Serial Number: \_\_\_\_\_

### WARRANTY INFORMATION

The pump warranty is provided as part of Gorman-Rupp's support program for customers who operate and maintain their equipment as described in this manual and other accompanying literature. Please note that should the equipment be abused or modified to change its performance beyond the original factory specifications, the warranty will become void and any claim will be denied.

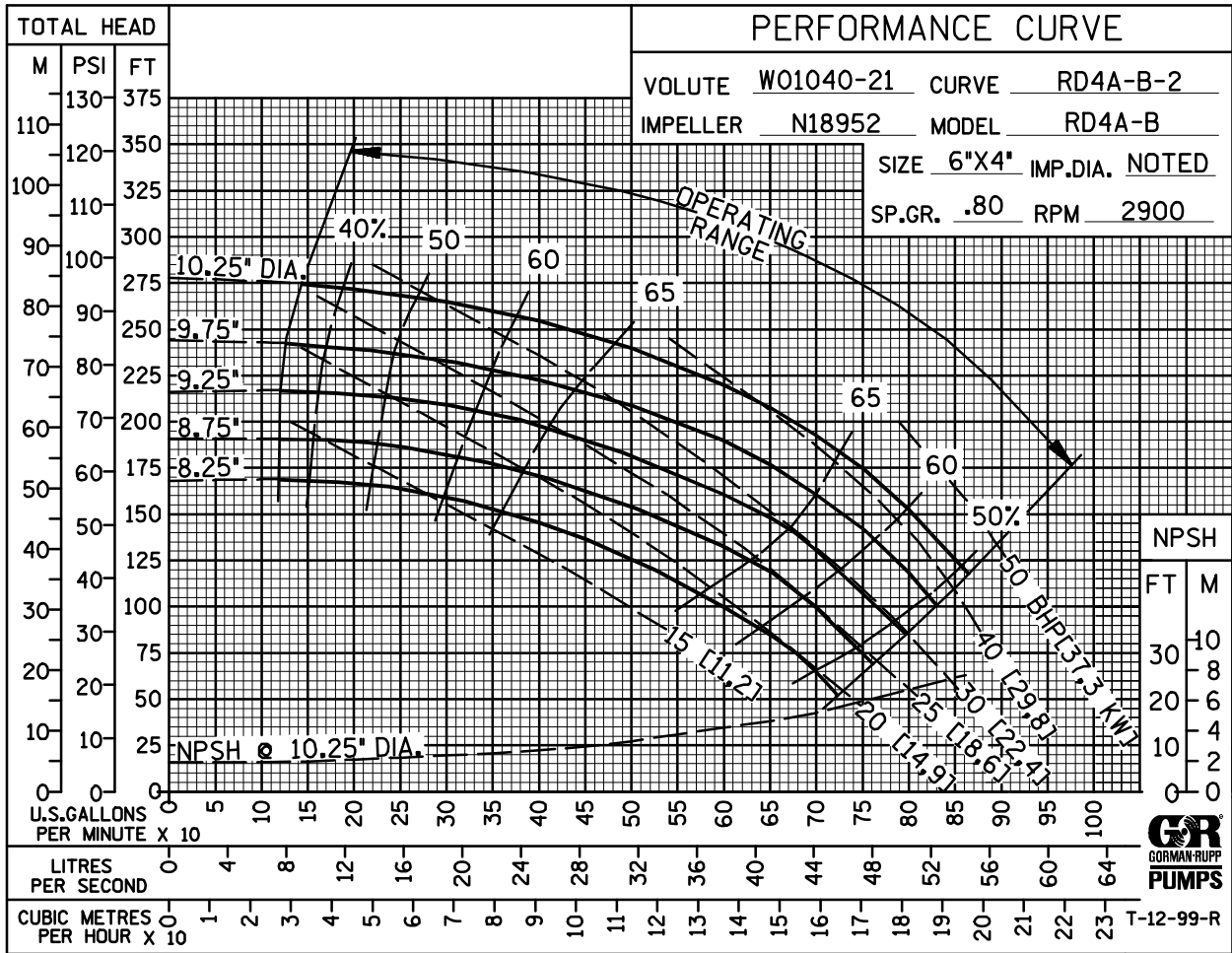
### PERFORMANCE CURVE

The performance curve on the following page is based on 70°F (21°C) clear water at sea level, corrected to 0.80 specific gravity, with minimum suction lift. Since pump installations are seldom identical, your performance may be different due to such factors as viscosity, specific gravity, elevation, temperature, and impeller trim.

If your pump serial number is followed by an "N", your pump is **NOT** a standard production model. Contact the Gorman-Rupp Company to verify performance or part numbers.



Pump speed and operating condition points must be within the continuous performance range shown on the curve(s).

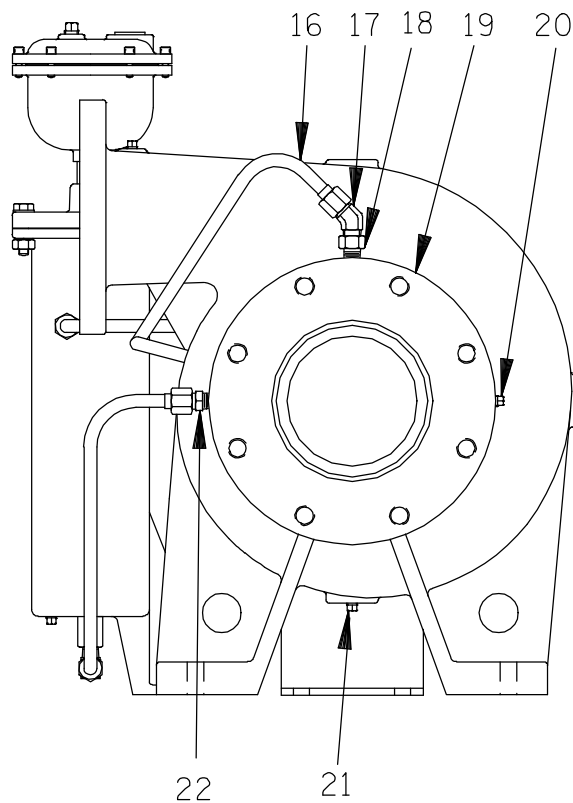
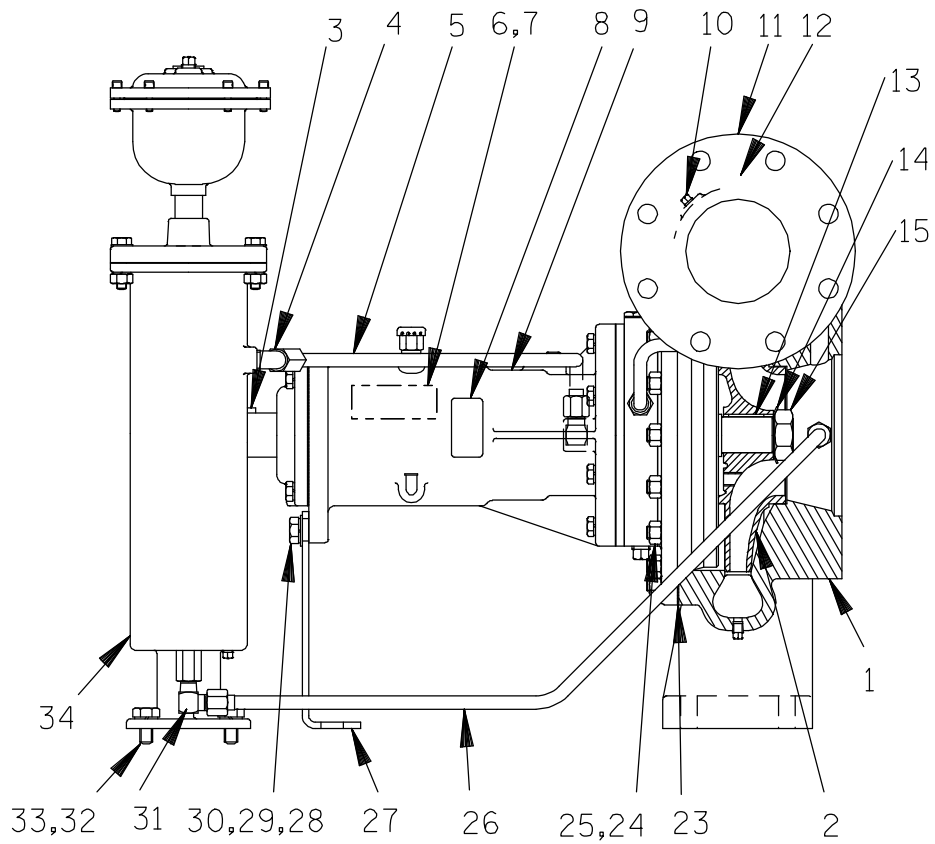


Performance Curve – Model RD4A31–BAR

**This Page Intentionally Blank**

# RD4A31-BAR

S/N 1207610N Up  
PUMP ISSUE 2



**GORMAN-RUPP PUMPS**

[www.grpumps.com](http://www.grpumps.com)

©1999 Gorman-Rupp Pumps

S/N 1207610N Up  
PUMP ISSUE 2

**PARTS LIST**  
**Pump Model RD4A31—BAR**

If your pump serial number is followed by an "N", your pump is **NOT** a standard production model. Contact the Gorman-Rupp Company to verify part numbers.

ITEM NO.	PART NAME	PART NUMBER	MAT'L CODE	QTY	ITEM NO.	PART NAME	PART NUMBER	MAT'L CODE	QTY
☞ 1	PUMP CASING	SEE NOTE BELOW		1	22	MALE CONNECTOR	25812—214	---	1
2 *	IMPELLER	38628—548	13048	1	23 *	PUMP CASING GASKET	R11618	20000	1
3 *	SHAFT KEY	N0611	15990	1	☞ 24	STUD	C0807	15991	18
4	MALE ELBOW	25812—161	---	1	25	HEX NUT	D08	15991	18
5	DISCH TUBE ASSY	46335—067	---	1	26	RETURN TUBE ASSY	46335—081	---	1
6	NAME PLATE	2613DZ	13990	1	27	BEARING HSG SUPPORT	R12852—02	15990	1
7	DRIVE SCREW	BM#04—03	17000	2	28	HEX HD CAPSCREW	B0805	15991	2
8	LUBE DECAL	38816—074	---	1	29	LOCKWASHER	J08	15991	2
9	BRG HOUSING ASSY	44143—106	---	1	30	FLAT WASHER	K08	15991	2
☞ 10	PIPE PLUG	P02	15079	1	31	MALE ELBOW	25812—011	---	1
11	DISCHARGE STICKER	6588BJ	---	1	32	HEX HD CAPSCREW	B0805	15991	2
☞ 12	PIPE PLUG	P02	15079	1	33	LOCKWASHER	J08	15991	2
13 *	IMPELLER KEY	K79330—23	15990	1	34 ●	AIR RELEASE VALVE	GRP33—06A	---	1
14	LOCKWASHER	S302	---	1		NOT SHOWN:			
15	IMPELLER NUT	K76645	15111	1	* DISCH FLANGE GASKET	N14147	18000	1	
16	SUCTION TUBE ASSY	46335—066	---	1	* SUCTION FLANGE GSKT	1679G	18000	1	
17	MALE ELBOW	25812—161	---	1	INSTRUCTION TAG	38817—011	---	1	
18	STRAINER	26841—094	---	1	ROTATION DECAL	2613M	---	1	
19	SUCTION STICKER	6588AG	---	1	G-R DECAL	GR—03	---	1	
☞ 20	PIPE PLUG	P02	15079	1					
☞ 21	PIPE PLUG	P02	15079	1					

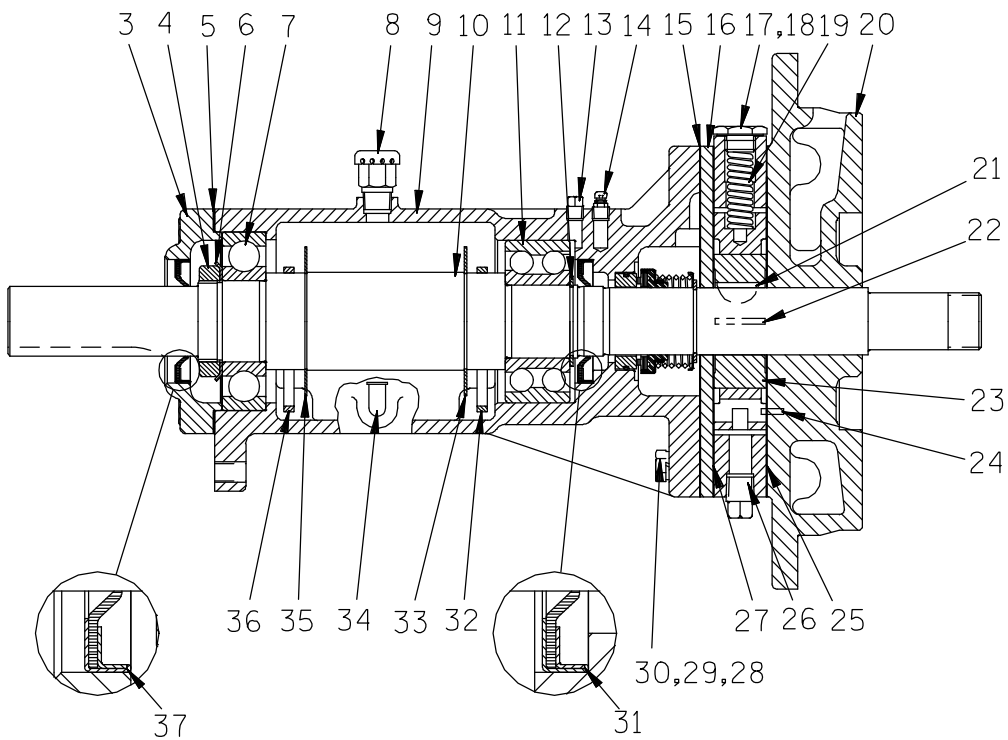
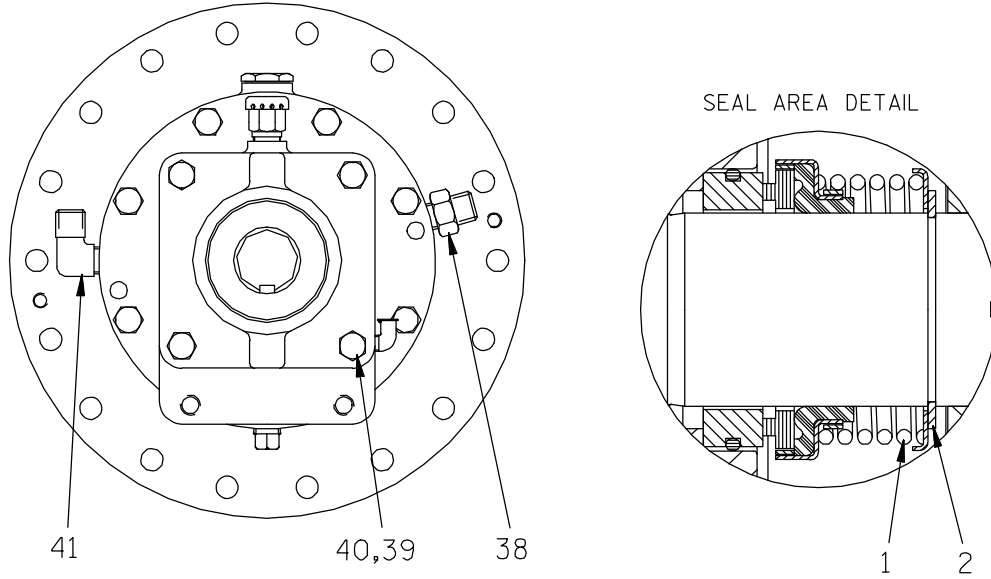
\* INDICATES PARTS RECOMMENDED FOR STOCK

† ALL ROTO-PRIME<sup>™</sup> IMPELLERS ARE TRIMMED.

● SEE ACCOMPANYING LITERATURE FOR INDIVIDUAL PARTS, MAINTENANCE AND REPAIR.

☞ INCLUDED WITH REPAIR 46474—343 --- 1  
PUMP CASING ASSY

**GORMAN-RUPP PUMPS**



**GORMAN-RUPP PUMPS**



S/N 1207610N Up  
PUMP ISSUE 2

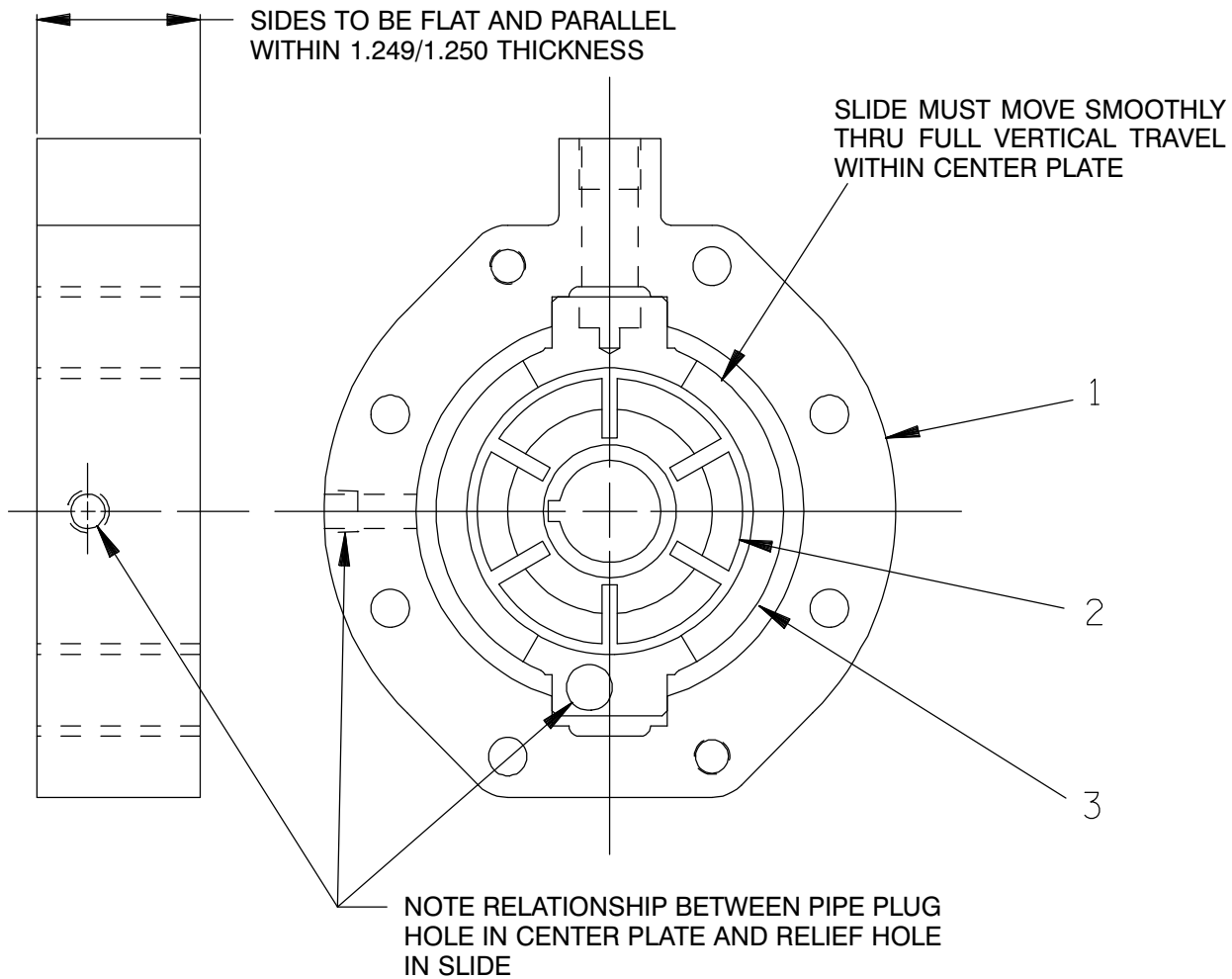
**PARTS LIST**  
**44143—106 Bearing Housing Assembly**

ITEM NO.	PART NAME	PART NUMBER	MAT'L CODE	QTY	ITEM NO.	PART NAME	PART NUMBER	MAT'L CODE	QTY
1 *	SEAL ASSEMBLY	25271-921	----	1	26	PIPE PLUG	P06	15079	1
2	SEAL RETAINING RING	24124-243	----	1	27 *	CENTER PLATE GASKET	R10150	19210	1
3	BEARING CAP	R12770-02	10010	1	28	HEX HD CAPSCREW	B0612	15991	8
4	BEARING LOCK NUT	23962-011	----	1	29	LOCKWASHER	J06	15991	8
5 *	BEARING CAP GASKET	N18938-01	18000	1	30	DOWEL PIN	21133-113	----	2
6	TAB WASHER	23962-511	----	1	31 *	OIL SEAL	25227-240	----	1
7 *	OUTBOARD BEARING	S1077	----	1	32	SLINGER RING	K86483	15030	1
8	AIR VENT	S1703	----	1	33	SLINGER RING STOP	K76632-01	----	1
9	BEARING HOUSING	W01172-04	11010	1	34	OILER	26713-054	----	1
10 *	IMPELLER SHAFT	T08623-02	15010	1	35	SLINGER RING STOP	K76632-01	----	1
11 *	BALL BEARING	23421-410	----	1	36	SLINGER RING	K86483	15030	1
12	BEARING RET RING	24124-245	----	1	37 *	OIL SEAL	25227-240	----	1
13	PIPE PLUG	P02	15079	1	38	CONNECTOR	25812-214	----	1
14	AIR VENT	S2162	----	1	39	HEX HD CAPSCREW	B0605	15991	4
15 *	SPACER PLATE GASKET	R12923	18000	1	40	LOCKWASHER	J06	15991	4
16	SPACER PLATE	R12771-02	11010	1	41	MALE ELBOW	25812-011	----	1
17	PRESS REG SPRING CAP	K68064	15991	1					
18 *	SPRING CAP GASKET	K86067	----	1		NOT SHOWN:			
19 *	PRESS REG SPRING	K82659	----	1		PIPE PLUG	P02	15079	1
20	BODY COVER	T06762-21	11010	1					
21 *	ROTOR WOODRUFF KEY	K61559	15990	1		OPTIONAL:			
22 *	ROTOR BLADE	K79300-22	----	6		SST IMPELLER SHAFT	T08623-02	17080	1
23	GROUP GRIND	42212-015	----	1		TEFLON SEAL ASSY	25271-761	----	1
24 *	LOCATING PIN	21154-666	----	1		GROUP GRIND WITH C.I. ROTOR			
25 †	CENTER PLATE GASKET	R10150	19210	2		-C.I. GROUP GRIND	LK5411	----	1

\* INDICATES PARTS RECOMMENDED FOR STOCK

† 2 GASKETS REQUIRED WHEN ROTOR OR SLIDE IS THICKER THAN CENTER PLATE.

**GORMAN-RUPP PUMPS**



**PARTS LIST**  
**42212-015 Group Grind**

ITEM NO.	PART NAME	PART NUMBER	MAT'L CODE	QTY
1	CENTER PLATE	NOT AVAILABLE	---	1
2	ROTOR	NOT AVAILABLE	---	1
3	SLIDE	NOT AVAILABLE	---	1

**NOTE:** THE GROUP GRIND MUST BE REPLACED AS A COMPLETE UNIT: INDIVIDUAL PIECE PARTS ARE NOT SOLD SEPARATELY.

**GORMAN-RUPP PUMPS**

**For U.S. and International Warranty Information,  
Please Visit [www.grpumps.com/warranty](http://www.grpumps.com/warranty)  
or call:**

**U.S.: 419-755-1280  
International: +1-419-755-1352**

**For Canadian Warranty Information,  
Please Visit [www.grcanada.com/warranty](http://www.grcanada.com/warranty)  
or call:**

**519-631-2870**