

AC

Use With: OM-04151
MR-04278

PUBLICATION NUMBER PL-04170-05
Pump Issue 5 - REV. C
June 1, 1995
Supersedes: OM-01729-05



PUMP MODEL
S3A1 230V 3P

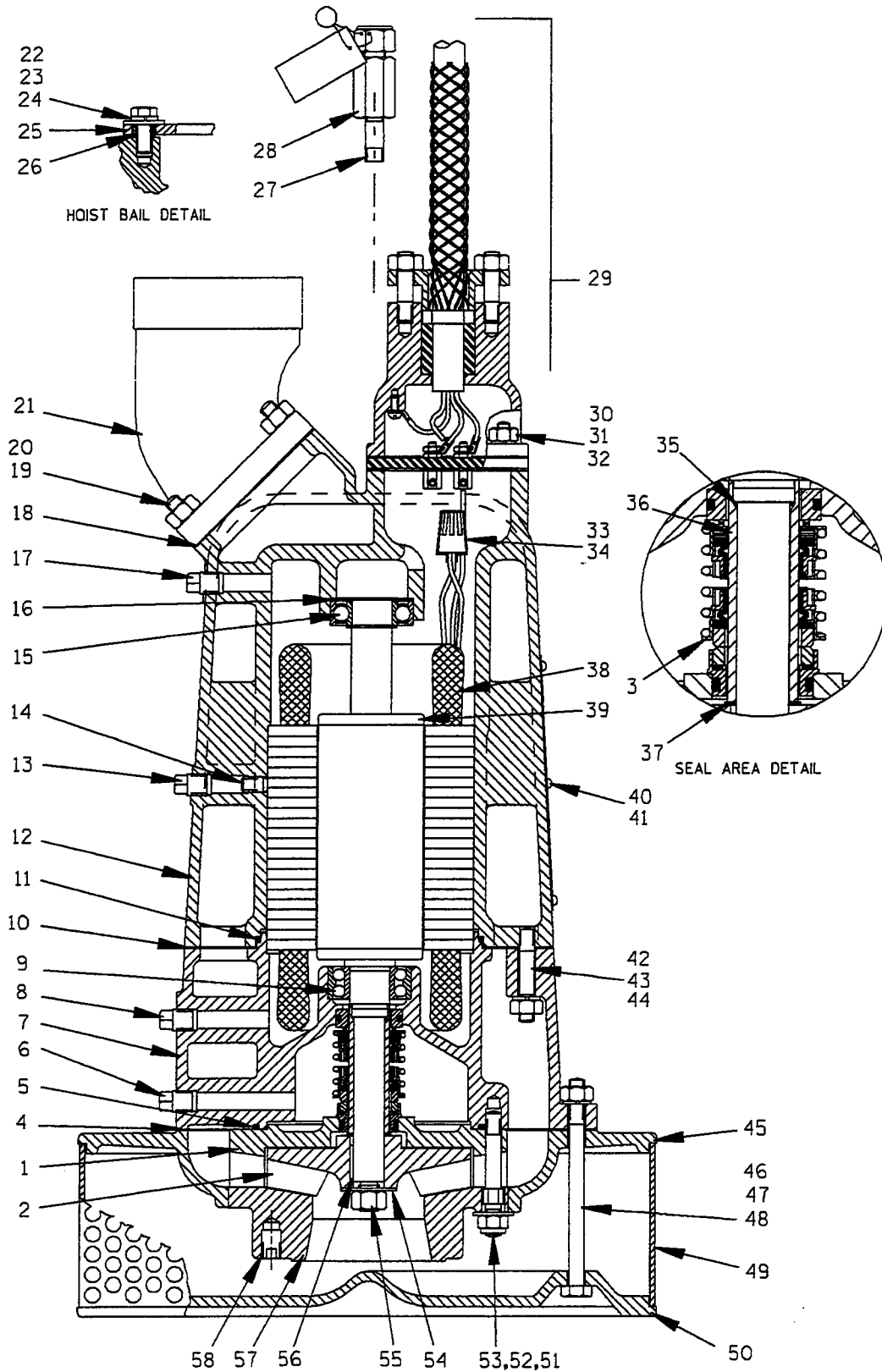
MANUAL
PART 2 of 3

PARTS
LIST
WITH
PERFORMANCE CURVE

THE GORMAN-RUPP COMPANY • MANSFIELD, OHIO

GORMAN-RUPP OF CANADA LIMITED • ST. THOMAS, ONTARIO, CANADA Printed in U.S.A.

©Copyright by the Gorman-Rupp Company



THE GORMAN-RUPP COMPANY • MANSFIELD, OHIO

GORMAN-RUPP OF CANADA LIMITED • ST. THOMAS, ONTARIO, CANADA Printed in U.S.A.

©Copyright by the Gorman-Rupp Company

S3A1 230V 3P

AC

S/N 831598 UP

PUMP ISSUE 5

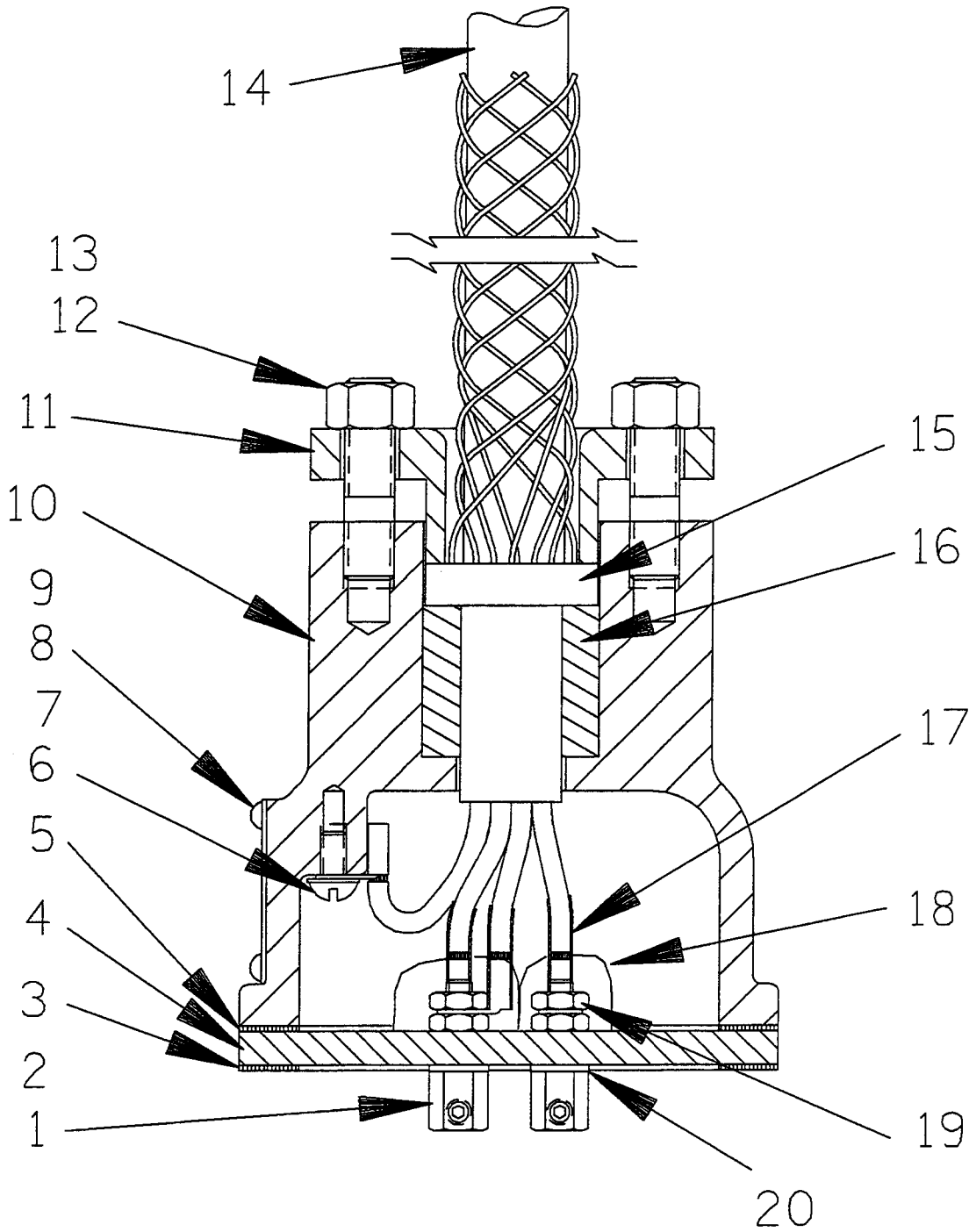
If your pump serial number is followed by an "N", your pump is NOT a standard production model. Contact the Gorman-Rupp Company to verify part numbers.

ITEM NO.	PART NAME	PART NUMBER	MAT'L CODE	QTY	ITEM NO.	PART NAME	PART NUMBER	MAT'L CODE	QTY
1	DIFFUSER	9903A	11030	1	38	STATOR	47113-808	---	1
2 *	IMPELLER	9900	1101H	1	39 *	ROTOR W/SHAFT	47112-804	---	1
3 *	SEAL ASSY	46512-044	---	1	40	NAME PLATE	2613CY	17020	1
4 *	STRAINER PLATE GSKT	8743G	20000	1	41	DRIVE SCREW	BM#04-03	17000	6
5 *	INTERMEDIATE O-RING	S1462	---	1	42	STUD	C0609	17000	6
6	SEAL CAVITY DRAIN/FILL PLUG	P04	17000	1	43	LOCKWASHER	J06	17000	6
7	INTERMEDIATE	8743A	13040	1	44	HEX NUT	D06	17000	6
8	MTR HSG DRAIN PLUG	P04	17000	1	45	STRAINER PLATE	8737	13040	1
9 *	LOWER BALL BEARING	S1457	---	1	46	HEX HD CAPSCREW	B0620	15991	4
10 *	MTR HOUSING GSKT	8430G	20000	1	47	LOCKWASHER	J06	15991	4
11 *	INTERMEDIATE O-RING	S1462	---	1	48	HEX NUT	D06	15991	4
12	MOTOR HOUSING	8430A	13040	1	49	STRAINER SCREEN	8753	1500V	1
13	PIPE PLUG	P04	17000	1	50	BASE PLATE	8738	13080	1
14	ALLEN HD SETSCREW	GA0603	15990	1	51	STUD	9913	17090	3
15 *	UPPER BALL BEARING	S1458	---	1	52	WASHER	10231	17090	3
16	BRG WAVE WASHER	S1592	---	1	53	NYLOCK LOCKNUT	BC06	17000	3
17	PIPE PLUG	P04	17000	1	54	FLAT WASHER	KB08	17000	1
18 *	DISCH FLANGE GASKET	7196GA	20000	1	55	HVY IMPELLER NUT	22561-145	---	1
19	STUD	C0606	15991	4	56 *	IMPELLER KEY	N0303 1/2	17000	1
20	HEX NUT	D06	15991	4	57	SUCTION HD ASSY	42111-424	---	1
21	DISCHARGE ELBOW	11357	13040	1	58	ALLEN HD CAPSCREW	GC0802	19550	REF
22	HEX HD CAPSCREW	B0804	15991	2	NOT SHOWN:				
23	LOCKWASHER	J08	15991	2		CONTROL BOX ASSY	47631-132	---	1
24	FLAT WASHER	KE08	15991	2		SUB PUMP OIL	9568	---	1
25	HOIST BAIL	9268	1500V	1		IMPELLER PULLER	10285	---	1
26	BUSHING	9562	15991	2		CABLE TIE	27111-212	---	1
27	HVY PIPE NIPPLE	THA0406	15079	1		VOLTAGE TAG	38816-094	---	1
28 *	RELIEF VALVE ASSY	46431-609	---	1		MOTOR PLATE	10436	17000	1
29	TERMINAL HOUSING AND CABLE ASSY	47367-041	---	1		DRIVE SCREW	BM#04-03	17000	4
30	STUD	C0506	15991	4		INSTRUCTION TAG	6588AC	---	1
31	LOCKWASHER	J05	15991	4	OPTIONAL:				
32	HEX NUT	D05	15991	4		REPAIR GSKT SET	11000C	---	1
33	CONNECTOR	S1718	---	1		STAGING ADAPTOR KIT	48272-003	---	1
34	HEAT SHRINK TUBE	31411-235	19450	1	LIQUID LEVEL DEVICES:				
35 *	SLEEVE O-RING	S1461	---	REF		DIAPHRAGM TYPE	GRP48-03 or GRP48-06	---	1
36 *	SHAFT SLEEVE	8742A	17030	1		FLOAT TYPE	27471-180	---	1
37 *	IMP ADJ SHIM SET	2Y	17090	1		120V LIQ LVL CONTROL	47631-136	---	1

* INDICATES PARTS RECOMMENDED FOR STOCK

THE GORMAN-RUPP COMPANY • MANSFIELD, OHIO

GORMAN-RUPP OF CANADA LIMITED • ST. THOMAS, ONTARIO, CANADA Printed in U.S.A.



THE GORMAN-RUPP COMPANY • MANSFIELD, OHIO

GORMAN-RUPP OF CANADA LIMITED • ST. THOMAS, ONTARIO, CANADA Printed in U.S.A.

©Copyright by the Gorman-Rupp Company

S3A1 230V 3P

AC

S/N 831598 UP

PUMP ISSUE 5

Terminal Housing And Cable Assembly

If your pump serial number is followed by an "N", your pump is **NOT** a standard production model. Contact the Gorman-Rupp Company to verify part numbers.

ITEM NO.	PART NAME	PART NUMBER	MAT'L CODE	QTY
1	TERMINAL	11181	14100	3
2	ALLEN HEAD SETSCREW	GA#10-01S	15991	3
3	* LOWER TERMINAL PLATE GASKET	10321G	20000	1
4	TERMINAL PLATE	10320A	23010	1
5	* UPPER TERMINAL PLATE GASKET	10321G	20000	1
6	ROUND HEAD MACHINE SCREW	X#10-01 1/2	14990	1
7	T TYPE LOCK WASHER	AK#10	15991	1
8	INFORMATION PLATE	38816-047	17990	1
9	DRIVE SCREW	BM#04-03	17000	4
10	TERMINAL HOUSING	10757	13040	1
11	TERMINAL CAP	10756B	13040	1
12	STUD	C0606	15991	2
13	HEX NUT	D06	15991	2
14	* CABLE ASSEMBLY	9166H	---	1
15	* CABLE GRIP	11227B	---	1
16	* GLAND BUSHING	10758F	19100	1
17	HEAT SHRINK TUBE	31411-203	19530	3
18	RTV SEALANT	18771-106	---	2
19	HEX NUT	D#10	14990	6
20	DYNA-SEAL WASHER	S1590	---	3

OPTIONAL:

HEAT SHRINK TERMINAL KIT	48315-008	---	1
TERMINAL REPOTTING KIT	12442B	---	1

* INDICATES PARTS RECOMMENDED FOR STOCK

THE GORMAN-RUPP COMPANY • MANSFIELD, OHIO

GORMAN-RUPP OF CANADA LIMITED • ST. THOMAS, ONTARIO, CANADA Printed in U.S.A.

**For U.S. and International Warranty Information,
Please Visit www.grpumps.com/warranty
or call:
U.S.: 419-755-1280
International: +1-419-755-1352**

**For Canadian Warranty Information,
Please Visit www.grcanada.com/warranty
or call:
519-631-2870**