

Use With: OM-04151
MR-04319

PUBLICATION NUMBER PL-04220-03
Pump Issue 3
June 26, 2001
Rev. C 12-20-17



PUMP MODEL
S8D1-E275 460/575/3

MANUAL
PART 2 of 3

PARTS
LIST
WITH
PERFORMANCE CURVE

GORMAN-RUPP PUMPS

www.grpumps.com

©2001 Gorman-Rupp Pumps

Printed in U.S.A.

Register your new
Gorman-Rupp pump online at
www.grpumps.com/register.

Valid serial number and e-mail address required.

PERFORMANCE CURVE – SECTION A

RECORDING MODEL AND SERIAL NUMBERS

Please record the pump model and serial number in the spaces provided below and in the separate Installation/Operation Manual accompanying your pump. Your Gorman-Rupp distributor needs this information when you require parts or service.

Pump Model: _____

Serial Number: _____

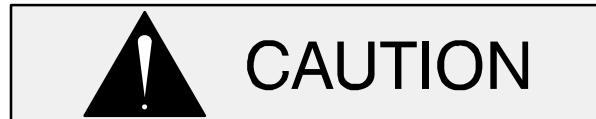
WARRANTY INFORMATION

The pump warranty is provided as part of Gorman-Rupp's support program for customers who operate and maintain their equipment as described in this manual and other accompanying literature. Please note that should the equipment be abused or modified to change its performance beyond the original factory specifications, the warranty will become void and any claim will be denied.

PERFORMANCE CURVES

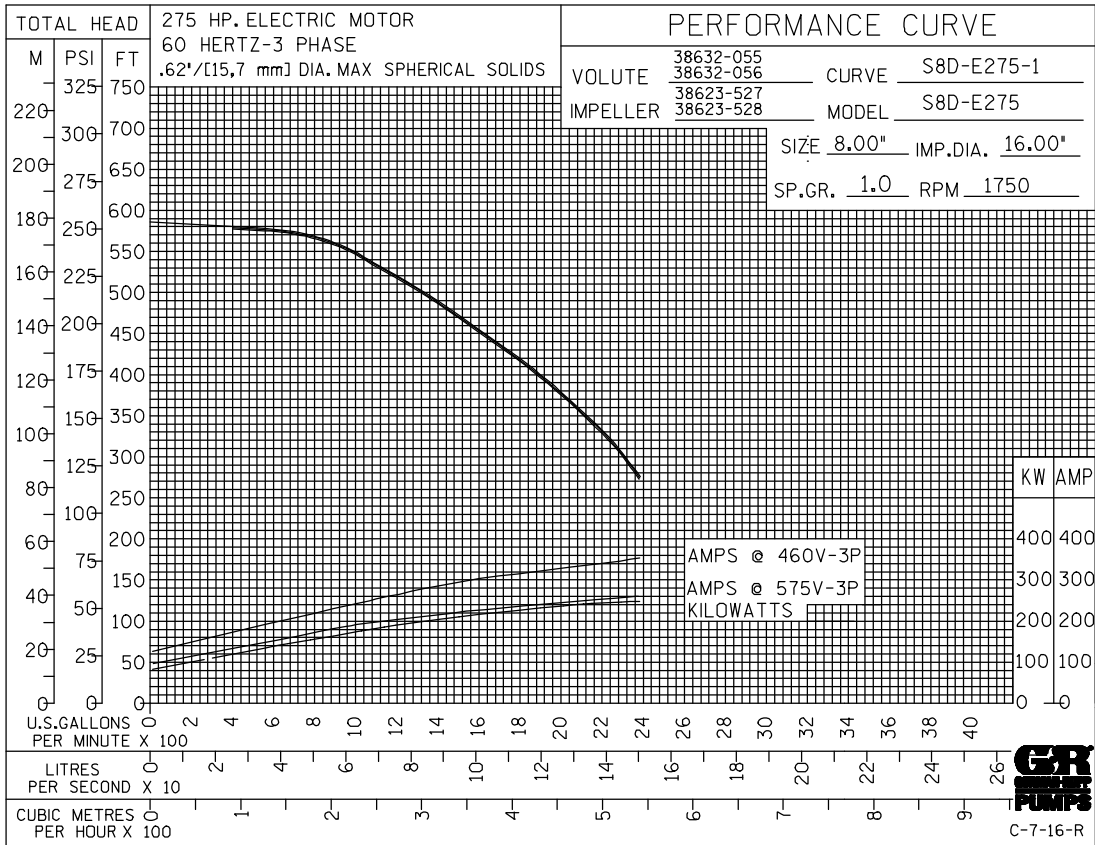
The performance curves on the following page are based on 70° F (21° C) clear water at sea level. Since pump installations are seldom identical, your performance may be different due to such factors as viscosity, specific gravity, elevation, temperature, and impeller trim.

If your pump serial number is followed by an "N", your pump is **NOT** a standard production model. Contact the Gorman-Rupp Company to verify performance or part numbers.



Pump speed and operating condition points must be within the continuous performance range shown on the curve(s).

This Page Intentionally Blank

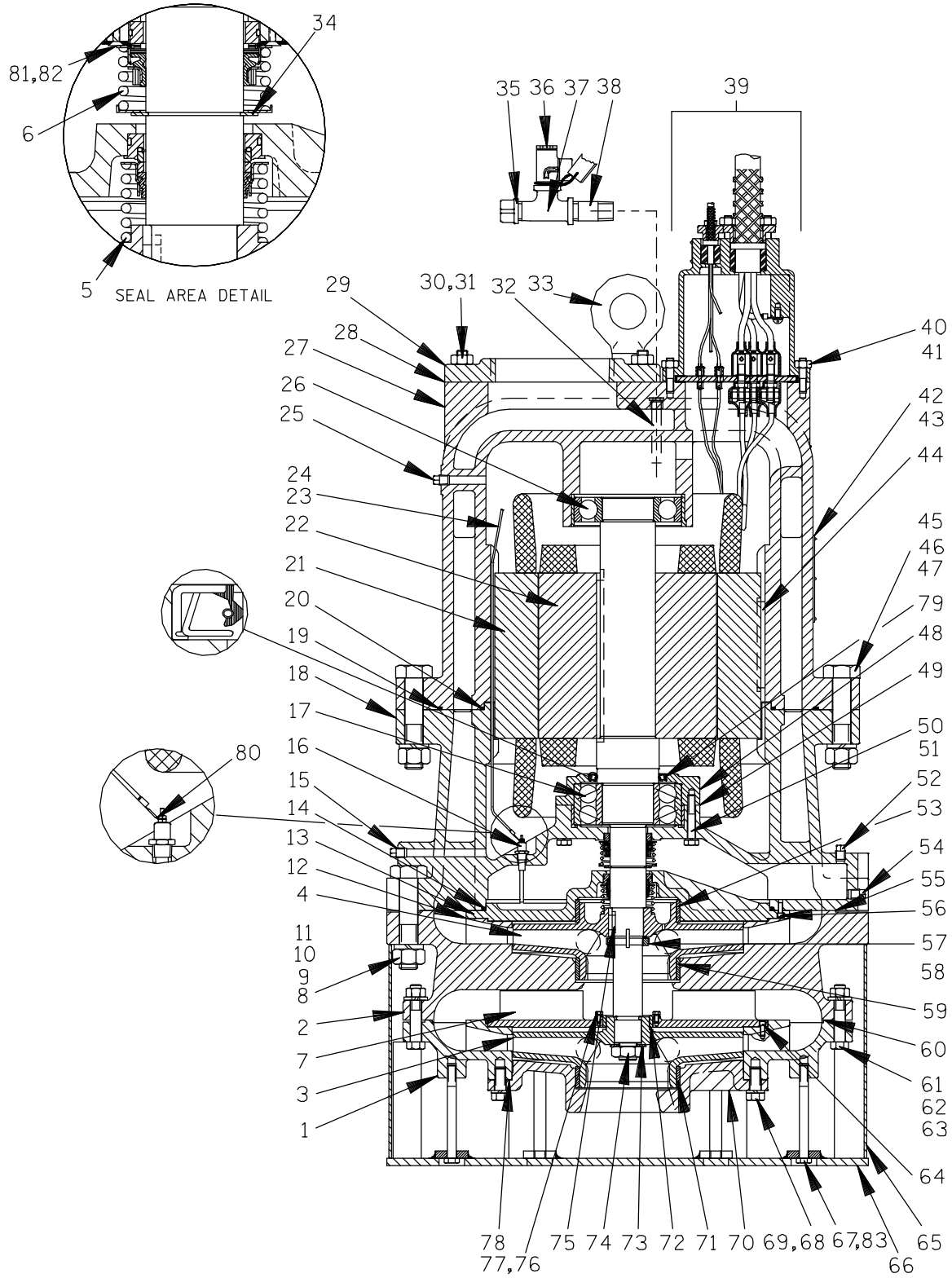


Performance Curve – Model S8D1–E275 460/575/3

S8D1-E275 460/575/3

S/N 1227446 UP

PUMP ISSUE 3



GORMAN-RUPP PUMPS

www.grpumps.com

©2001 Gorman-Rupp Pumps

Printed in U.S.A.

S8D1—E275 460/575/3

S/N 1227446 UP

PUMP ISSUE 3

If your pump serial number is followed by an "N", your pump is NOT a standard production model. Contact the Gorman-Rupp Company to verify part numbers.

ITEM NO.	PART NAME	PART NUMBER	MAT'L CODE	QTY	ITEM NO.	PART NAME	PART NUMBER	MAT'L CODE	QTY
1	1ST STAGE DIFFUSER	38632-055	11030	1	50	HEX HD CAPSCREW	B0812	15991	6
2	2ND STAGE DIFFUSER	38632-056	11030	1	51	LOCKWASHER	J08	15991	6
3	1ST STAGE IMPELLER	38623-527	11030	1	52	PIPE PLUG	P06	17000	1
4	2ND STAGE IMPELLER	38623-528	11030	1	53	WEAR RING	38691-309	14000	1
5 *	LOWER SEAL ASSY	46512-250	---	1	54	PIPE PLUG	P06	17000	1
6 *	UPPER SEAL ASSY	25271-291	---	1	55 *	INTERMEDIATE GASKET	38683-823	20000	1
7	VANE PLATE	38632-543	11030	1	56	SOCKET HD CASPCREW	BD0503	17000	8
8	HEX HD CAPSCREW	B2025	15991	20	57	LOCK NUT	23962-062	---	1
9	STUD	C2021	15991	4	58	LOCKWASHER	23962-562	---	1
10	LOCKWASHER	J20	15991	24	59 *	WEAR RING	38691-309	14000	1
11	HEX NUT	D20	15991	24	60 *	DIFFUSER GASKET	38682-815	20000	1
12 *	DIFFUSER GASKET	38682-814	20000	1	61	HEX HD CAPSCREW	B1216	15991	20
13	SEAL PLATE	38272-709	10000	1	62	LOCKWASHER	J12	15991	20
14 *	SEAL PLATE O-RING	25152-468	---	1	63	HEX NUT	D12	15991	20
15	PIPE PLUG	P06	17000	1	64	SOCKET HD CAPSCREW	BD0503	17000	7
16	MOISTURE DETECTOR	27479-006	---	1	65	STRAINER SCREEN	38661-702	1508V	1
17 *	LOWER BALL BEARING	23421-420	---	1	66	BASE ASSY	41582-001	2415V	1
18	INTERMEDIATE	38261-028	13000	1	67	HEX HD CAPSCREW	B1027	15991	6
19 *	MOTOR HSG O-RING	25152-475	---	1	68	HEX HD CAPSCREW	B1207	17000	8
20 *	MOTOR HSG O-RING	25152-469	---	1	69	LOCKWASHER	J12	17000	8
21	STATOR (460V)	47113-056	---	1	70	SUCTION HEAD	38246-028	10010	1
	STATOR (575V)	47113-057	---	1	71 *	WEAR RING	38691-309	14000	1
22	ROTOR/SHAFT ASSY	47112-038	---	1	72 *	WEAR RING	38691-009	14000	1
23	MOISTURE PROBE WIRE	18147-104	---	1	73	IMPELLER WASHER	11199	17000	1
24	TERMINAL	S1741	---	1	74	IMPELLER NUT	AT20S	17000	1
25	PIPE PLUG	P06	17000	1	75 *	IMPELLER KEY	N0804	17000	1
26 *	UPPER BALL BEARING	23275-019	---	1	76	HEX HD CAPSCREW	B0402	17000	2
27	MOTOR HOUSING	38311-701	13000	1	77	LOCKWASHER	J04	17000	2
28 *	FLANGE GASKET	38683-824	20000	1	78	SUCTION HD GASKET	38683-817	20000	1
29	DISCHARGE FLANGE	25311-809	---	1	79 *	OIL SEAL	25227-942	---	1
30	STUD	C1414	15991	12	80	MALE TAB	27236-454	---	1
31	HEX NUT	D14	15991	12	81	RETAINING RING	31171-032	17000	1
32	FILL TUBE ASSY	46331-304	24040	1	82	FLAT HEAD SCREW	Y#10-02	17040	4
33	EYE BOLT	AR2414	1505V	2	83	LOCK WASHER	J10	15991	6
34	RETAINING RING	24124-050	---	1		NOT SHOWN:			
35	PIPE CAP	V16	11999	1		460V CONTROL BOX	27515-571	---	1
36 *	PRESS RELIEF VALVE	14139	---	1		575V CONTROL BOX	27515-572	---	1
37	STREET TEE ASSY	14138	---	1		GAL SUB PUMP OIL	9568A	---	1
38	HEAVY PIPE NIPPLE	THA16	15079	1		IMPELLER PULLER	5894	---	1
39	TERMINAL HOUSING AND CABLE ASSEMBLY	47367-074	---	1		VOLTAGE TAG (460V)	6588BL	---	1
						VOLTAGE TAG (575V)	6588BM	---	1
40	STUD	C0809	15991	8		CABLE TIE	27111-212	---	1
41	DEFORM HEX NUT	DD08	15991	8		OPTIONAL:			
42	NAME PLATE	2613CY	17020	1		* REPAIR GASKET SET	11000AF	---	1
43	DRIVE SCREW	BM#04-03	17000	6					
44	KEY	N0824	17000	1		LIQUID LEVEL DEVICES:			
45	HEX HD CAPSCREW	B2025	15991	24		DIAPHRAGM TYPE	GRP48-03 or GRP48-061		
46	LOCKWASHER	J20	15991	24		FLOAT TYPE	27471-180	---	1
47	HEX NUT	D20	15991	24		460/3 CONTROL BOX	27510-846	---	1
48	BEARING CAP	38322-423	10000	1		-W/CURRENT SENSING RELAY			
49 *	BEARING CAP GASKET	38683-607	20000	1					

* INDICATES PARTS RECOMMENDED FOR STOCK

GORMAN-RUPP PUMPS

www.grpumps.com

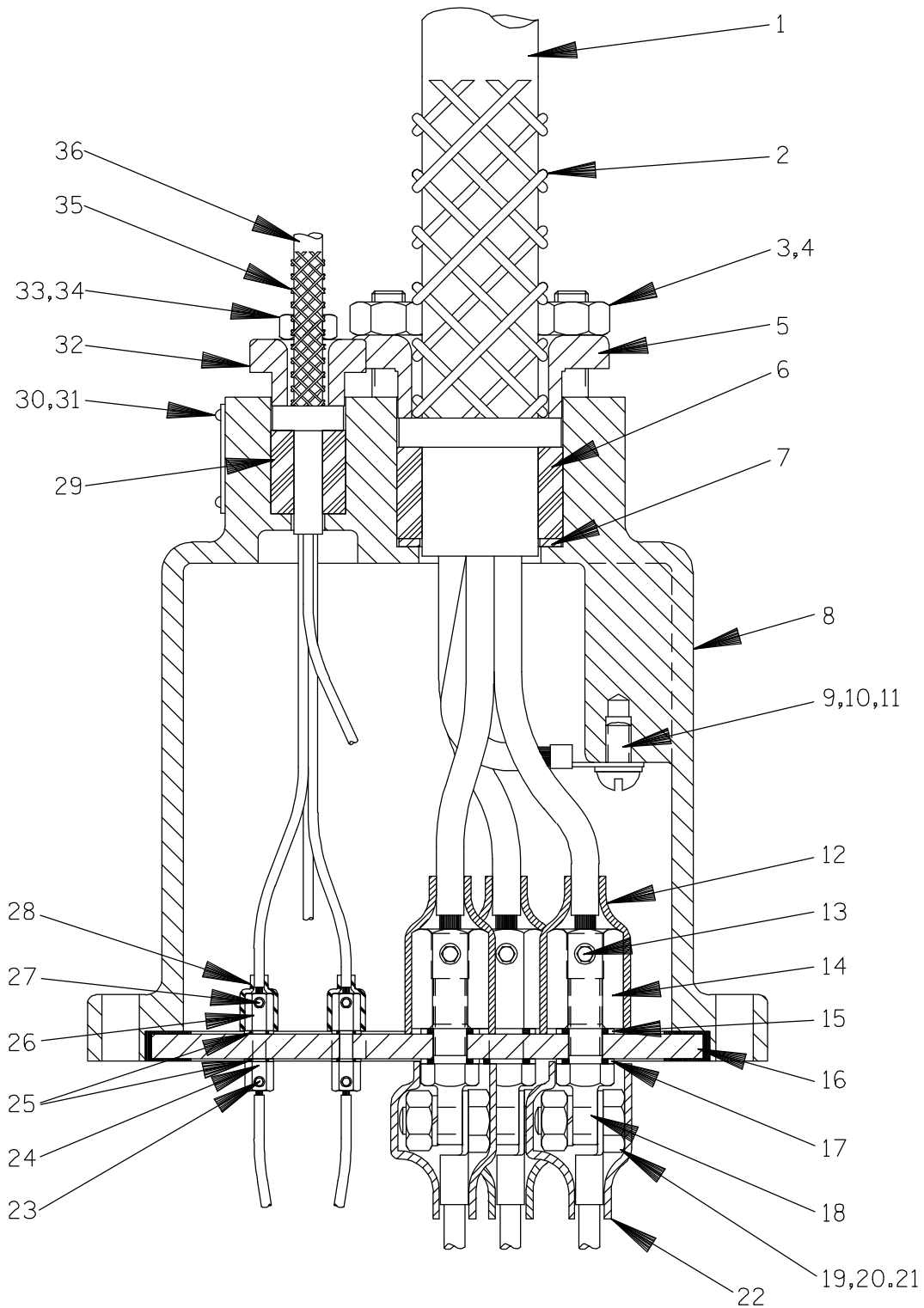
©2001 Gorman-Rupp Pumps

Printed in U.S.A.

S8D1-E275 460/575/3

S/N 1227446 UP

PUMP ISSUE 3



GORMAN-RUPP PUMPS

www.grpumps.com

©2001 Gorman-Rupp Pumps

Printed in U.S.A.

S8D1—E275 460/575/3

S/N 1227446 UP

PUMP ISSUE 3

Terminal Housing And Cable Assembly

ITEM NO.	PART NAME	PART NUMBER	MAT'L CODE	QTY
1	* #2/0 POWER CABLE — 50 FT.	10325A	---	2
2	CABLE GRIP	11227F	---	2
3	STUD	C0808	15991	4
4	HEX NUT	D08	15991	4
5	TERMINAL GLAND	10658	13040	2
6	GLAND BUSHING	10758E	19100	2
7	TERMINAL WASHER	10659B	15991	2
8	TERMINAL HOUSING	38381—236	13000	1
9	#2/0 WIRE TERMINAL	27214—065	---	3
10	RD HD MACHINE SCREW	X0603	14990	2
11	T-TYPE LOCKWASHER	AK06	15991	2
12	HEAT-SHRINK TUBE	31417—030	19530	6
13	ALLEN HEAD SETSCREW	GA0602	14990	6
14	TERMINAL COLLAR	31811—058	14100	6
15	* DYNA-SEAL WASHER	S1916	---	6
16	TERMINAL PLATE ASSY	47114—502	---	1
17	* DYNA-SEAL WASHER	S1916	---	6
18	TERMINAL POST	38724—010	14100	6
19	HEX HD CAPSCREW	B0604	14990	6
20	LOCKWASHER	J06	15991	6
21	HEX NUT	D06	14990	6
22	HEAT-SHRINK TUBE	31415—151	19450	6
23	ALLEN HEAD SETSCREW	GA#10—01S	15991	3
24	TERMINAL POST	11181	14100	3
25	* DYNA-SEAL WASHER	S1590	---	6
26	TERMINAL COLLAR	31811—057	14100	3
27	ALLEN HEAD SETSCREW	GA#10—01S	15991	3
28	HEAT-SHRINK TUBE	31412—056	19530	3
29	GLAND BUSHING	10758H	19100	1
30	INFORMATION PLATE	38816—047	17990	1
31	DRIVE SCREW	BM#04—03	17000	4
32	TERMINAL GLAND	10756C	13040	1
33	STUD	C0606	15991	2
34	HEX NUT	D06	15991	2
35	CABLE GRIP	11227A	---	1
36	* #14 CONTROL CABLE—50 FT.	47324—034	---	1

NOT SHOWN:

1 OZ RTV SEALANT 18771—106 --- 1

OPTIONAL:

HEAT SHRINK TUBE KIT 48315—013 --- 1

* INDICATES PARTS RECOMMENDED FOR STOCK

GORMAN-RUPP PUMPS

www.grpumps.com

©2001 Gorman-Rupp Pumps

Printed in U.S.A.

**For Warranty Information, Please Visit
www.grpumps.com/warranty
or call:
U.S.: 419-755-1280
Canada: 519-631-2870
International: +1-419-755-1352**

GORMAN-RUPP PUMPS