

C

Use With: OM-04417
MR-04422

PUBLICATION NUMBER PL-04423-01
Pump Issue 1
March 6, 1996 Rev. B
Supersedes: OM-03266-01



**PUMP MODEL
SM2E1 - X3.5 460/575/3**

**MANUAL
PART 2 of 3**

**PARTS
LIST
WITH
PERFORMANCE CURVE**

THE GORMAN-RUPP COMPANY • MANSFIELD, OHIO

GORMAN-RUPP OF CANADA LIMITED • ST. THOMAS, ONTARIO, CANADA Printed in U.S.A.

©Copyright by the Gorman-Rupp Company

Register your new
Gorman-Rupp pump online at
www.grpumps.com/register.

Valid serial number and e-mail address required.

RECORD YOUR PUMP MODEL AND SERIAL NUMBER

Please record your pump model and serial number in the spaces provided below. Your Gorman-Rupp distributor needs this information when you require parts or service.

Pump Model: _____

Serial Number: _____

PERFORMANCE CURVE – SECTION A

RECORDING MODEL AND SERIAL NUMBERS

Please record the pump model and serial number in the spaces provided below and in the separate Installation/Operation Manual accompanying your pump. Your Gorman-Rupp distributor needs this information when you require parts or service.

Pump Model: _____

Serial Number: _____

PERFORMANCE CURVES

The performance curve on this page is based on 70° F (21° C) clear water at sea level. Since pump installations are seldom identical, your performance may be different due to such factors as viscosity, specific gravity, elevation, temperature, and impeller trim.

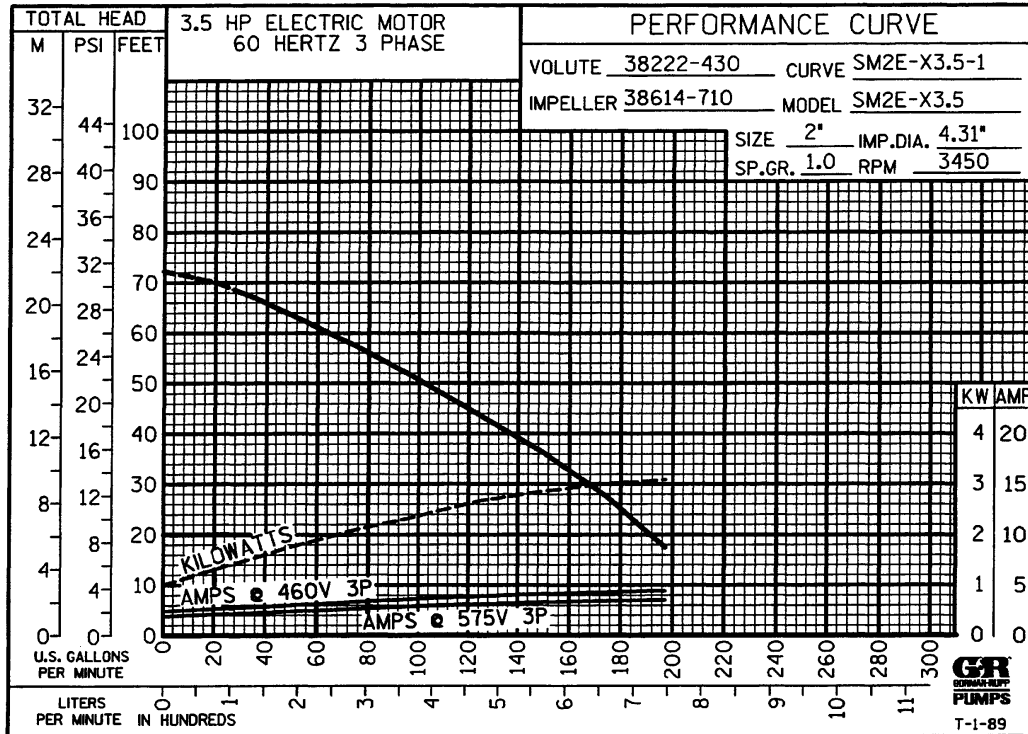
If your pump serial number is followed by an "N", your pump is **NOT** a standard production model. Contact the Gorman-Rupp Company to verify performance or part numbers.

WARRANTY INFORMATION

The pump warranty is provided as part of Gorman-Rupp's support program for customers who operate and maintain their equipment as described in this manual and other accompanying literature. Please note that should the equipment be abused or modified to change its performance beyond the original factory specifications, the warranty will become void and any claim will be denied.



Pump speed and operating condition points must be within the continuous performance range shown on the curve(s).

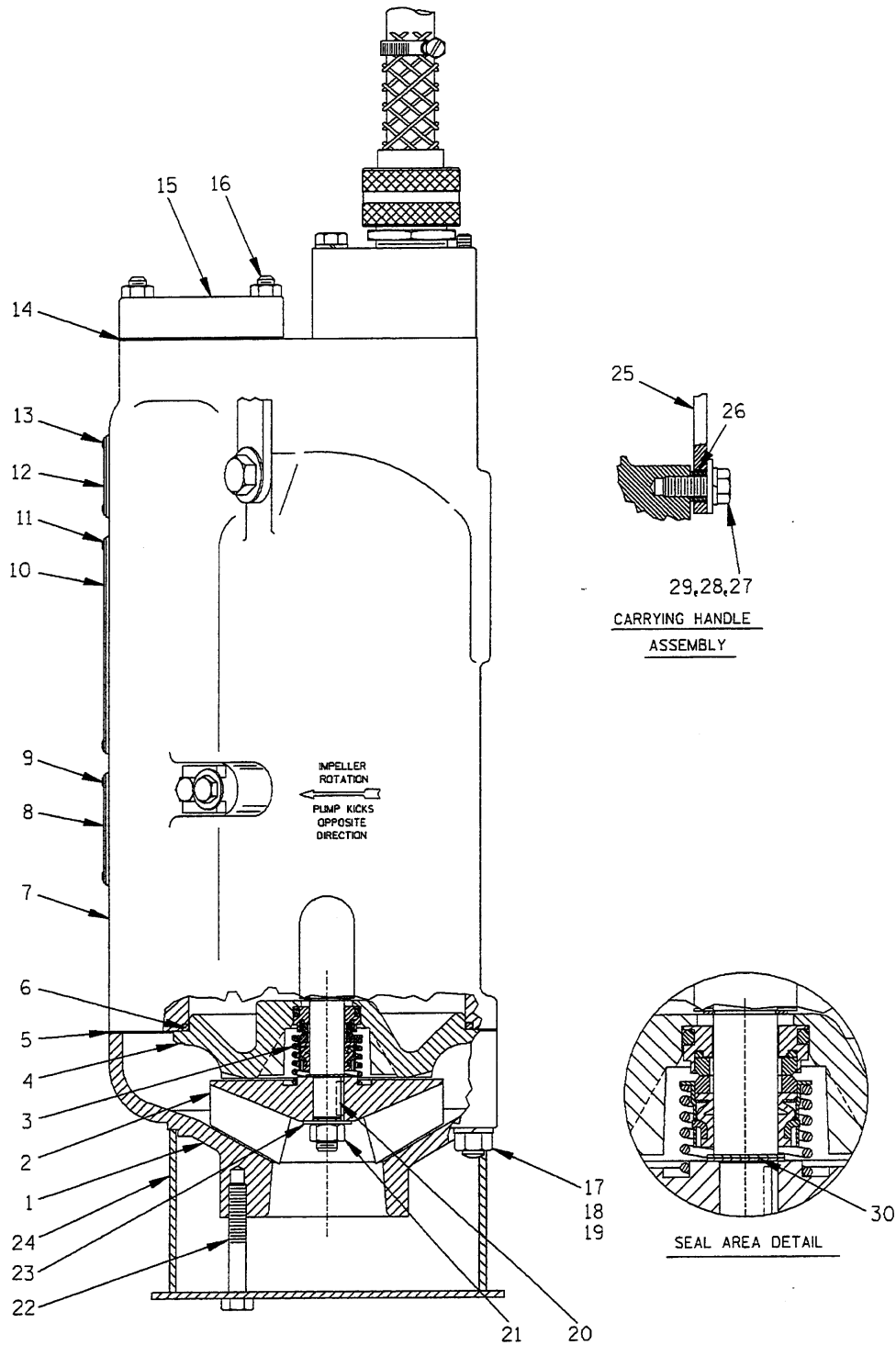


Performance Curve – Model SM2E1-X3.5 460/575/3

C

SM2E1-X3.5 460/575/3

S/N 915775 Up
PUMP ISSUE 1



THE GORMAN-RUPP COMPANY • MANSFIELD, OHIO

GORMAN-RUPP OF CANADA LIMITED • ST. THOMAS, ONTARIO, CANADA Printed in U.S.A.

1 of 4

JUNE 1, 1989 Rev. B 03/06/96

© Copyright by the Gorman-Rupp Company

Page 154.2 E1

SM2E1 – X3.5 460/575/3

C

**S/N 915775 Up
PUMP ISSUE 1**

If your pump serial number is followed by an "N", your pump is **NOT** a standard production model. Contact the Gorman-Rupp Company to verify part numbers.

ITEM NO.	PART NAME	PART NUMBER	MAT'L CODE	QTY
1	SUCTION CASING	38222-430	10010	1
2	* IMPELLER	38614-710	14160	1
3	* SEAL ASSEMBLY	46512-036	---	1
4	SEAL PLATE	38272-830	10010	1
5	* CASING GASKET	38674-807	20000	1
6	* SEAL PLATE O-RING	25152-250	---	1
7	MOTOR ASSY (460V)	47111-100	---	1
	MOTOR ASSY (575V)	47111-101	---	1
8	PENN DOER APPL PLATE	2613FL	17020	1
9	DRIVE SCREW	BM#04-03	17000	4
10	MSHA PLATE	2613ES	17020	1
11	DRIVE SCREW	BM#04-03	17000	4
12	NAME PLATE	2613DD	17020	1
13	DRIVE SCREW	BM#04-03	17000	4
14	* FLANGE GASKET	10195G	20000	1
15	DISCHARGE FLANGE	10195	13040	1
16	HEX NUT	D05	15991	4
17	STUD	C0611	17000	4
18	LOCKWASHER	J06	17000	4
19	HEX NUT	D06	17000	4
20	* IMPELLER KEY	N0202 – 1/2	17000	1
21	* IMPELLER NUT	D06	17000	1
22	NYLOCK CAPSCREW	BT0508	15991	4
23	FLAT WASHER	21161-808	---	1
24	STRAINER ASSY	46611-004	2415V	1
25	HANDLE	10185A	1502V	1
26	BUSHING	10194	15071	2
27	HEX HD CAPSCREW	B0604	15991	2
28	LOCKWASHER	J06	15991	2
29	FLAT WASHER	K06	15991	2
30	* IMPELLER ADJUSTING SHIM SET	669	14990	1

NOT SHOWN:

VOLTAGE TAG (430V)	6588BL	---	1
VOLTAGE TAG (575V)	6588BM	---	1
CONTROL BOX (460V)	47631-146	---	1
CONTROL BOX (575V)	47631-147	---	1

OPTIONAL:

GASKET SET	11000T	---	1
STAGING ADAPTOR KIT	48272-002	---	1
ANODE PLATE ASSEMBLY	42116-001	---	1

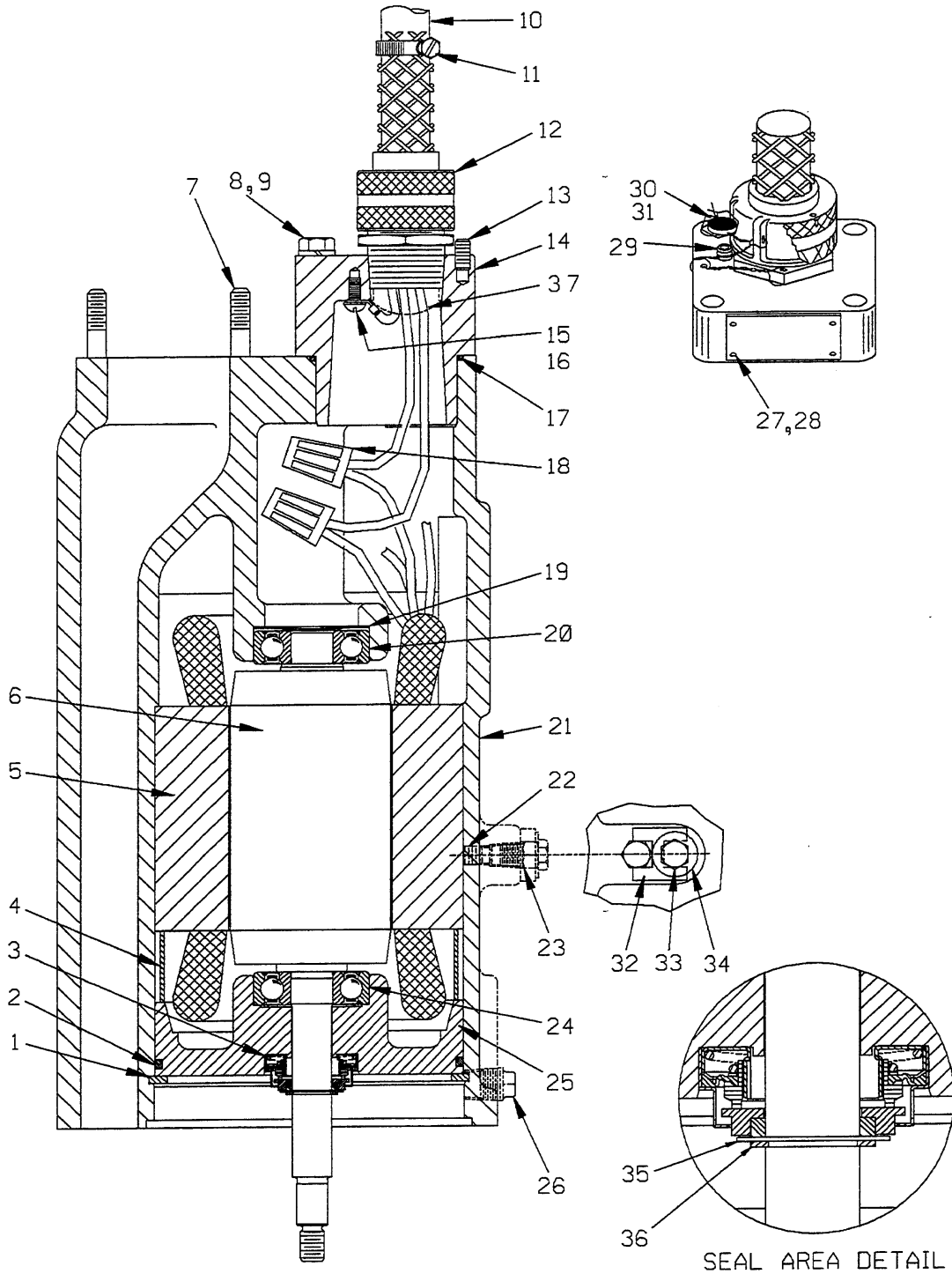
* INDICATES PARTS RECOMMENDED FOR STOCK

THE GORMAN-RUPP COMPANY • MANSFIELD, OHIO

C

SM2E1-X3.5 460/575/3

S/N 915775 Up
PUMP ISSUE 1



THE GORMAN-RUPP COMPANY • MANSFIELD, OHIO

GORMAN-RUPP OF CANADA LIMITED • ST. THOMAS, ONTARIO, CANADA

Printed in U.S.A.

3 of 4

JUNE 1, 1989 Rev. B 03/06/96

©Copyright by the Gorman-Rupp Company

Page 154.2 E1

SM2E1 - X3.5 460/575/3

C

**S/N 915775 Up
PUMP ISSUE 1**

Pump Motor Assembly

ITEM NO.	PART NAME	PART NUMBER	MAT'L CODE	QTY
1	RETAINING RING	24121-077	----	1
2	* INTERMEDIATE O-RING	25152-248	----	1
3	* MECH SEAL ASSY	25276-011	----	1
4	MOTOR BUSHING	31134-060	23010	1
5	STATOR (460V)	47113-805	----	1
	STATOR (575V)	47113-806	----	1
6	ROTOR & SHAFT ASSY	47112-801	----	1
7	STUD	C0506	15991	4
8	HEX HD CAPSCREW	21632-565	----	4
9	LOCKWASHER	J05	15991	4
10	50 FT. CABLE ASSY	47351-011	----	1
11	HOSE CLAMP	26518-666	----	1
12	CABLE GRIP ASSY	27111-016	----	1
13	ALLEN HEAD SETSCREW	GA0402	15991	1
14	TERMINAL HOUSING	38381-205	13040	1
15	ROUND HEAD MACHINE SCREW	X#10-01 1/2	14990	2
16	T-TYPE LOCKWASHER	AK#10	15991	2
17	TERMINAL HOUSING O-RING	25154-141	----	1
18	CONNECTOR	S1718	----	5
19	SPRING WASHER	S1554	----	1
20	* BALL BEARING	23282-004	----	1
21	MOTOR HOUSING	38311-017	13040	1
22	ALLEN HEAD SETSCREW	GA0501 1/4	15990	1
23	PIPE PLUG	38649-022	17030	1
24	* BALL BEARING	23282-004	----	1
25	INTERMEDIATE	38261-016	13040	1
26	SEAL CAVITY FILL PLUG	P04	17000	1
27	CERTIFICATION PLATE	2613GX	17020	1
28	DRIVE SCREW	BM#04-03	17000	4
29	ALLEN HEAD SETSCREW	GA0401	15991	1
30	WIRE - 14 IN.	31311-004	17990	1
31	LEAD SEAL	21188-002	----	1
32	LOCK CLIP	33645-008	17040	1
33	NYLOCK CAPSCREW	BT0403	17000	1
34	FLAT WASHER	KB04	17000	1
35	ADJUSTING SHIM SET	513A	17090	1
36	SNAP RING	S668	----	1
37	RTV SILICONE ADHESIVE	18771-106	----	1

* INDICATES PARTS RECOMMENDED FOR STOCK

THE GORMAN-RUPP COMPANY • MANSFIELD, OHIO

4 of 4

GORMAN-RUPP OF CANADA LIMITED • ST. THOMAS, ONTARIO, CANADA

Printed in U.S.A.

Page 154.2 E1

© Copyright by the Gorman-Rupp Company

Rev. B JUNE 1, 1989

**For U.S. and International Warranty Information,
Please Visit www.grpumps.com/warranty**

or call:

U.S.: 419-755-1280

International: +1-419-755-1352

**For Canadian Warranty Information,
Please Visit www.grcanada.com/warranty**

or call:

519-631-2870

THE GORMAN-RUPP COMPANY • MANSFIELD, OHIO

GORMAN-RUPP OF CANADA LIMITED • ST. THOMAS, ONTARIO, CANADA