

C

Use With: OM-04417
MR-04422

PUBLICATION NUMBER PL-04425-01
March 6, 1996;
Rev. C - 09/16/19



PUMP MODEL
SM2E18-X3.5 460/575/3

MANUAL
PART 2 of 3

PARTS
LIST
WITH
PERFORMANCE CURVE

GORMAN-RUPP PUMPS

www.grpumps.com

©1996 Gorman-Rupp Pumps

Printed in U.S.A.

PERFORMANCE CURVE – SECTION A

RECORDING MODEL AND SERIAL NUMBERS

Please record the pump model and serial number in the spaces provided below and in the separate Installation/Operation Manual accompanying your pump. Your Gorman-Rupp distributor needs this information when you require parts or service.

Pump Model: _____

Serial Number: _____

WARRANTY INFORMATION

The pump warranty is provided as part of Gorman-Rupp’s support program for customers who operate and maintain their equipment as described in this manual and other accompanying literature. Please note that should the equipment be abused or modified to change its performance beyond the original factory specifications, the warranty will become void and any claim will be denied.



Use **Only Genuine Gorman-Rupp** replacement parts. Failure to do so may create a hazard and damage the pump or diminish optimal pump performance. Any such hazard, damage or diminished performance is not covered by the warranty.

NOTE

When appropriate recycling facilities are available, the user should recycle components and fluids when doing any routine maintenance / repairs and also at the end of the pump’s useful life. All other components and fluids shall be disposed of according to all applicable codes and regulations.

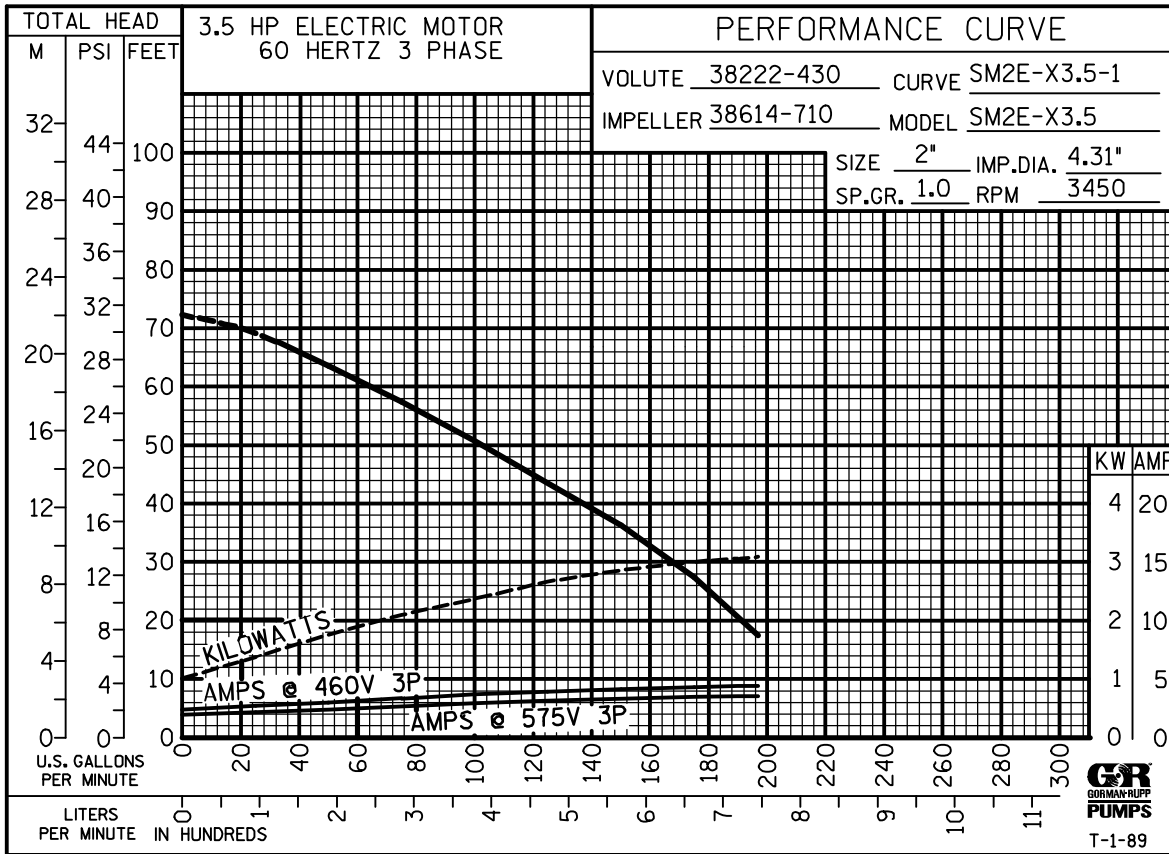
PERFORMANCE CURVES

The performance curve on this page is based on 70° F (21° C) clear water at sea level. Since pump installations are seldom identical, your performance may be different due to such factors as viscosity, specific gravity, elevation, temperature, and impeller trim.

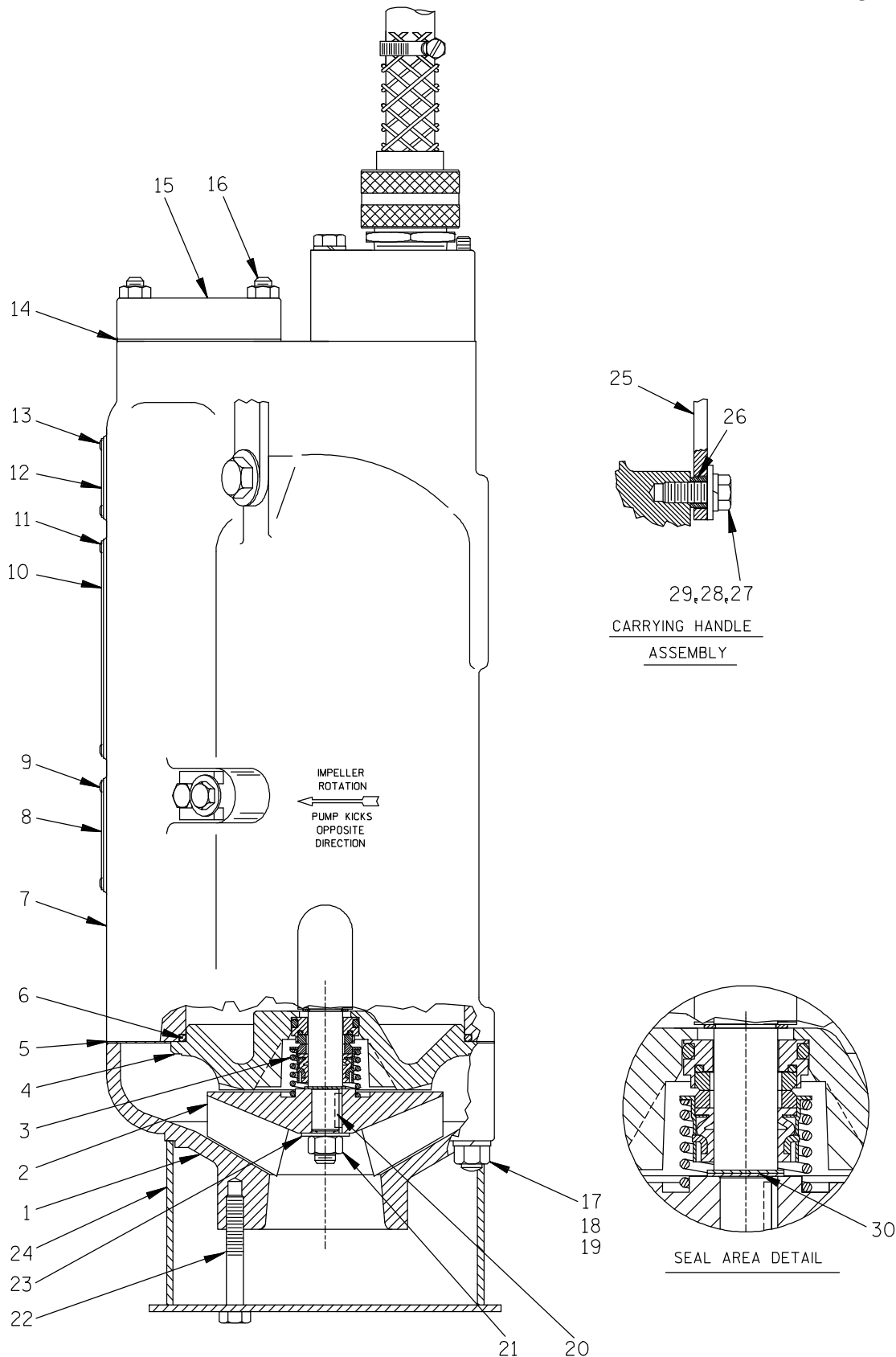
If your pump serial number is followed by an “N”, your pump is **NOT** a standard production model. Contact the Gorman-Rupp Company to verify performance or part numbers.



Pump speed and operating condition points must be within the continuous performance range shown on the curve(s).



Performance Curve – Model SM2E18–X3.5 460/575/3



THE GORMAN-RUPP COMPANY • MANSFIELD, OHIO

GORMAN-RUPP OF CANADA LIMITED • ST. THOMAS, ONTARIO, CANADA Printed in U.S.A.

S/N 915775 Up
PUMP ISSUE 1

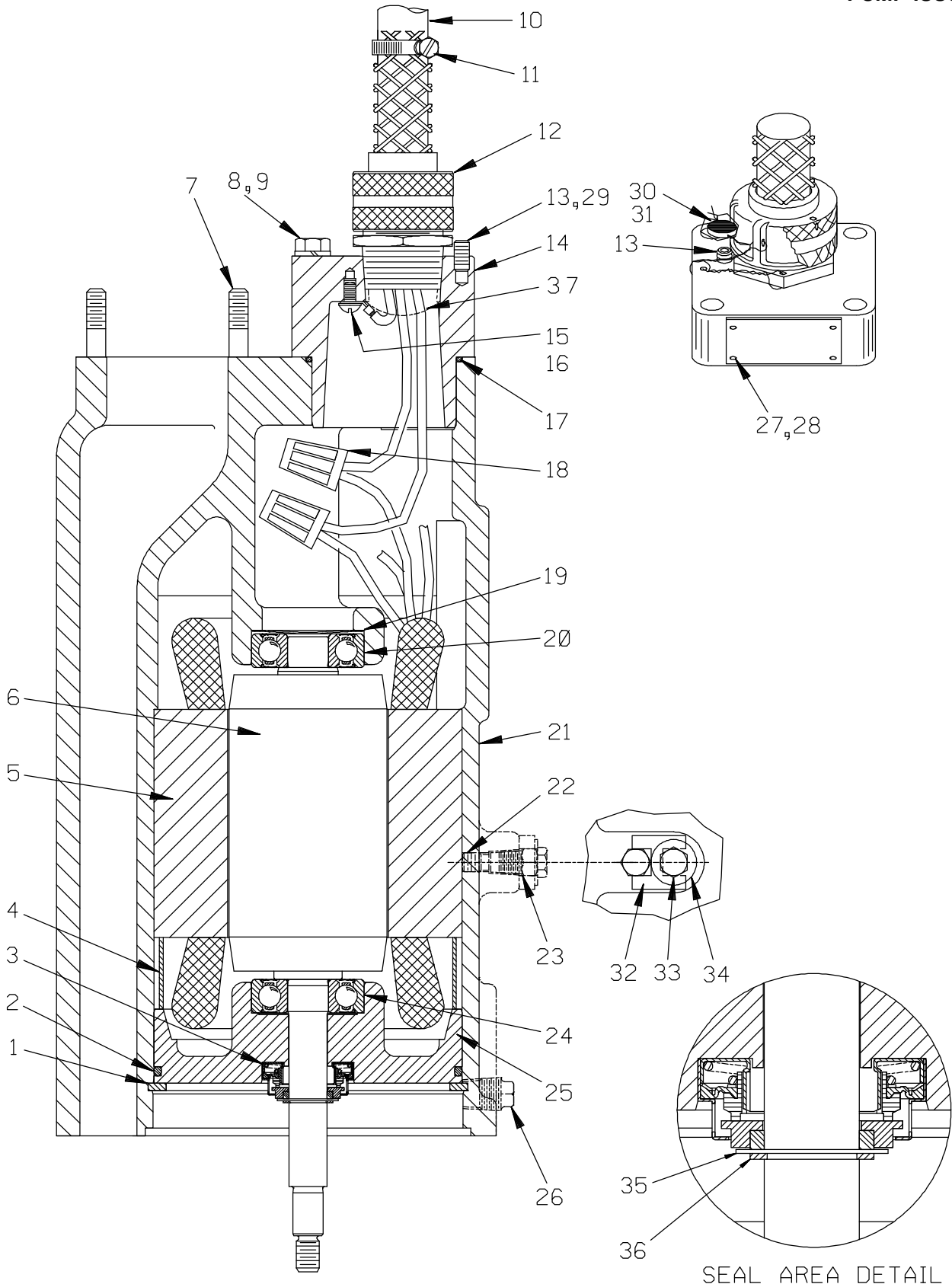
If your pump serial number is followed by an "N", your pump is **NOT** a standard production model. Contact the Gorman-Rupp Company to verify part numbers.

| ITEM NO. | PART NAME | PART NUMBER | MAT'L CODE | QTY |
|------------|-------------------------------|-------------|------------|-----|
| 1 | SUCTION CASING | 38222-430 | 17180 | 1 |
| 2 | * IMPELLER | 38614-710 | 1718H | 1 |
| 3 | * SEAL ASSEMBLY | 46512-036 | --- | 1 |
| 4 | SEAL PLATE | 38272-830 | 1718H | 1 |
| 5 | * CASING GASKET | 38674-807 | 20000 | 1 |
| 6 | * SEAL PLATE O-RING | 25152-250 | --- | 1 |
| 7 | MOTOR ASSY (460V) | 47111-070 | --- | 1 |
| | MOTOR ASSY (575V) | 47111-071 | --- | 1 |
| 8 | PENN DOER APPL PLATE | 2613FL | 17020 | 1 |
| 9 | DRIVE SCREW | BM#04-03 | 17000 | 4 |
| 10 | MSHA PLATE | 2613ES | 17020 | 2 |
| 11 | DRIVE SCREW | BM#04-03 | 17000 | 8 |
| 12 | NAME PLATE | 2613DD | 17020 | 1 |
| 13 | DRIVE SCREW | BM#04-03 | 17000 | 4 |
| 14 | * FLANGE GASKET | 10195G | 20000 | 1 |
| 15 | DISCHARGE FLANGE | 10195 | 13040 | 1 |
| 16 | HEX NUT | D05 | 17000 | 4 |
| 17 | STUD | C0611 | 17000 | 4 |
| 18 | LOCKWASHER | J06 | 17000 | 4 |
| 19 | HEX NUT | D06 | 17000 | 4 |
| 20 | * IMPELLER KEY | N0202-1/2 | 17000 | 1 |
| 21 | * IMPELLER NUT | D06 | 17000 | 1 |
| 22 | NYLOCK CAPSCREW | BT0508 | 17000 | 4 |
| 23 | FLAT WASHER | 21161-808 | --- | 1 |
| 24 | STRAINER ASSY | 46611-005 | 24170 | 1 |
| 25 | HANDLE | 10185A | 1502V | 1 |
| 26 | BUSHING | 10194 | 17090 | 2 |
| 27 | HEX HD CAPSCREW | B0604 | 17000 | 2 |
| 28 | LOCKWASHER | J06 | 17000 | 2 |
| 29 | FLAT WASHER | KB06 | 17000 | 2 |
| 30 | * IMPELLER ADJUSTING SHIM SET | 13130 | 17040 | 1 |
| NOT SHOWN: | | | | |
| | QUART SUBMERSIBLE PUMP OIL | 9568 | --- | 1 |
| | VOLTAGE TAG (430V) | 6588BL | --- | 1 |
| | VOLTAGE TAG (575V) | 6588BM | --- | 1 |
| | CONTROL BOX (460V) | 47631-146 | --- | 1 |
| | CONTROL BOX (575V) | 47631-147 | --- | 1 |
| OPTIONAL: | | | | |
| | GASKET SET | 11000T | --- | 1 |
| | STAGING ADAPTOR KIT | 48272-002 | --- | 1 |

* INDICATES PARTS RECOMMENDED FOR STOCK

THE GORMAN-RUPP COMPANY • MANSFIELD, OHIO

GORMAN-RUPP OF CANADA LIMITED • ST. THOMAS, ONTARIO, CANADA Printed in U.S.A.



THE GORMAN-RUPP COMPANY • MANSFIELD, OHIO

GORMAN-RUPP OF CANADA LIMITED • ST. THOMAS, ONTARIO, CANADA Printed in U.S.A.

S/N 915775 Up
PUMP ISSUE 1

Pump Motor Assembly

| ITEM NO. | PART NAME | PART NUMBER | MAT'L CODE | QTY |
|----------|--------------------------|-------------|------------|-----|
| 1 | RETAINING RING | 24121-077 | --- | 1 |
| 2 | * INTERMEDIATE O-RING | 25152-248 | --- | 1 |
| 3 | * MECH SEAL ASSY | 25276-011 | --- | 1 |
| 4 | MOTOR BUSHING | 31134-060 | 23010 | 1 |
| 5 | STATOR (460V) | 47113-805 | --- | 1 |
| | STATOR (575V) | 47113-806 | --- | 1 |
| 6 | ROTOR & SHAFT ASSY | 47112-801 | --- | 1 |
| 7 | STUD | C0506 | 17000 | 4 |
| 8 | HEX HD CAPSCREW | B0509 | 17000 | 4 |
| 9 | LOCKWASHER | J05 | 17000 | 4 |
| 10 | 50 FT. CABLE ASSY | 47351-011 | --- | 1 |
| 11 | HOSE CLAMP | 26518-666 | --- | 1 |
| 12 | CABLE GRIP ASSY | 27111-016 | --- | 1 |
| 13 | ALLEN HEAD SETSCREW | GA0402 | 17000 | 1 |
| 14 | TERMINAL HOUSING | 38381-205 | 13040 | 1 |
| 15 | T-TYPE LOCKWASHER | AK#10 | 15991 | 2 |
| 16 | ROUND HEAD MACHINE SCREW | X#10-01 1/2 | 14990 | 2 |
| 17 | TERMINAL HOUSING O-RING | 25154-141 | --- | 1 |
| 18 | CONNECTOR | S1718 | --- | 5 |
| 19 | SPRING WASHER | S1554 | --- | 1 |
| 20 | * BALL BEARING | 23282-004 | --- | 1 |
| 21 | MOTOR HOUSING | 38311-017 | 13040 | 1 |
| 22 | ALLEN HEAD SETSCREW | GA0501 1/4 | 15990 | 1 |
| 23 | PIPE PLUG | 38649-022 | 17030 | 1 |
| 24 | * BALL BEARING | 23282-004 | --- | 1 |
| 25 | INTERMEDIATE | 38261-016 | 13040 | 1 |
| 26 | SEAL CAVITY FILL PLUG | P04 | 17000 | 1 |
| 27 | CERTIFICATION PLATE | 2613GX | 17020 | 1 |
| 28 | DRIVE SCREW | BM#04-03 | 17000 | 4 |
| 29 | ALLEN HEAD SETSCREW | GA0401 | 17000 | 1 |
| 30 | WIRE - 14 IN. | 31311-004 | 17990 | 1 |
| 31 | LEAD SEAL | 21188-002 | --- | 1 |
| 32 | LOCK CLIP | 33645-008 | 17040 | 1 |
| 33 | NYLOCK CAPSCREW | BT0403 | 17000 | 1 |
| 34 | FLAT WASHER | KB04 | 17000 | 1 |
| 35 | ADJUSTING SHIM SET | 513A | 17090 | 1 |
| 36 | SNAP RING | S668 | --- | 1 |
| 37 | SILICONE ADHESIVE | 18771-106 | --- | 1 |

* INDICATES PARTS RECOMMENDED FOR STOCK

THE GORMAN-RUPP COMPANY • MANSFIELD, OHIO

GORMAN-RUPP OF CANADA LIMITED • ST. THOMAS, ONTARIO, CANADA Printed in U.S.A.

**For Warranty Information, Please Visit
www.grpumps.com/warranty
or call:
U.S.: 419-755-1280
Canada: 519-631-2870
International: +1-419-755-1352**

GORMAN-RUPP PUMPS