

C

Use With: OM-04417
MR-04422

PUBLICATION NUMBER PL-04426-01
March 6, 1996;
Rev. C - 09/16/19



PUMP MODEL
SM2E65-X3.5 460/575/3

MANUAL
PART 2 of 3

PARTS
LIST
WITH
PERFORMANCE CURVE

GORMAN-RUPP PUMPS

www.grpumps.com

©1996 Gorman-Rupp Pumps

Printed in U.S.A.

PERFORMANCE CURVE – SECTION A

RECORDING MODEL AND SERIAL NUMBERS

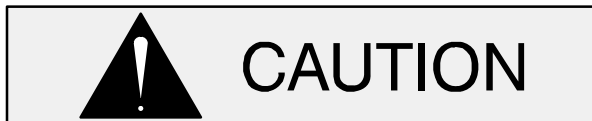
Please record the pump model and serial number in the spaces provided below and in the separate Installation/Operation Manual accompanying your pump. Your Gorman-Rupp distributor needs this information when you require parts or service.

Pump Model: _____

Serial Number: _____

WARRANTY INFORMATION

The pump warranty is provided as part of Gorman-Rupp’s support program for customers who operate and maintain their equipment as described in this manual and other accompanying literature. Please note that should the equipment be abused or modified to change its performance beyond the original factory specifications, the warranty will become void and any claim will be denied.



Use **Only Genuine Gorman-Rupp** replacement parts. Failure to do so may create a hazard and damage the pump or diminish optimal pump performance. Any such hazard, damage or diminished performance is not covered by the warranty.

NOTE

When appropriate recycling facilities are available, the user should recycle components and fluids when doing any routine maintenance / repairs and also at the end of the pump’s useful life. All other components and fluids shall be disposed of according to all applicable codes and regulations.

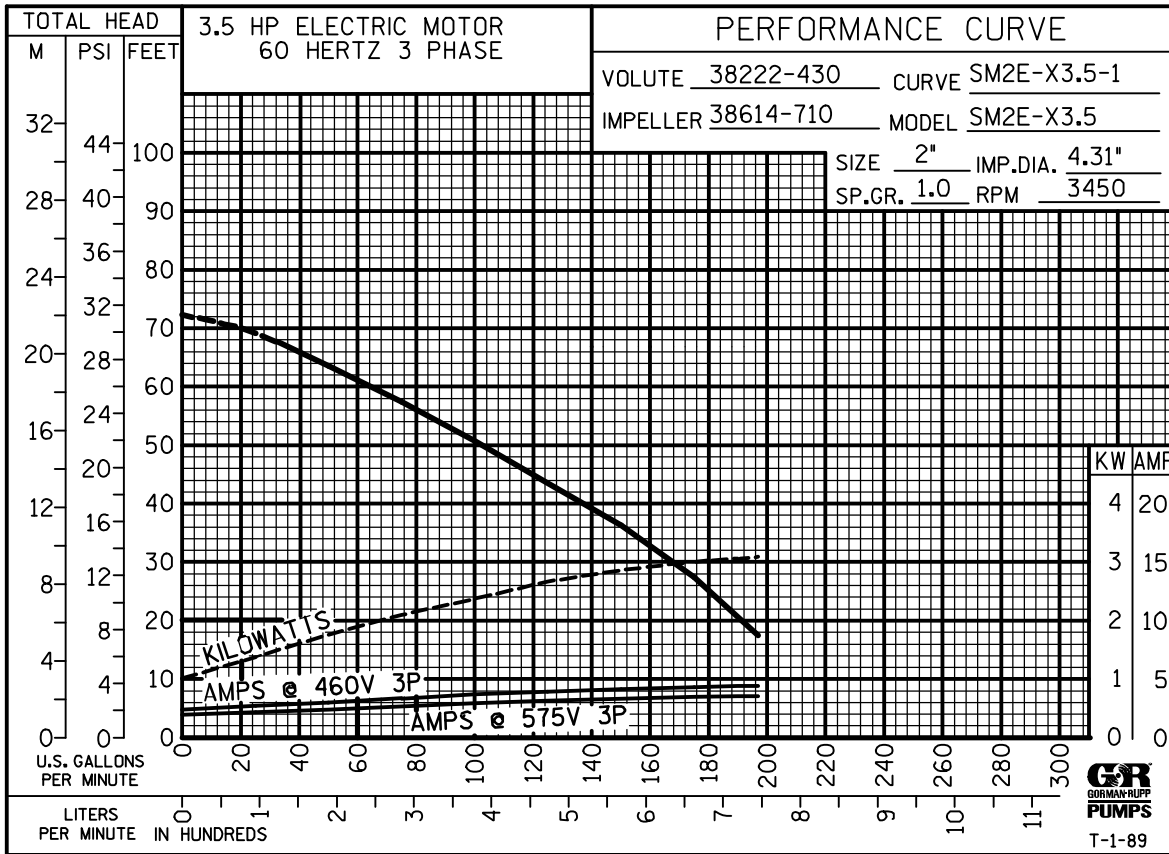
PERFORMANCE CURVES

The performance curve on this page is based on 70° F (21° C) clear water at sea level. Since pump installations are seldom identical, your performance may be different due to such factors as viscosity, specific gravity, elevation, temperature, and impeller trim.

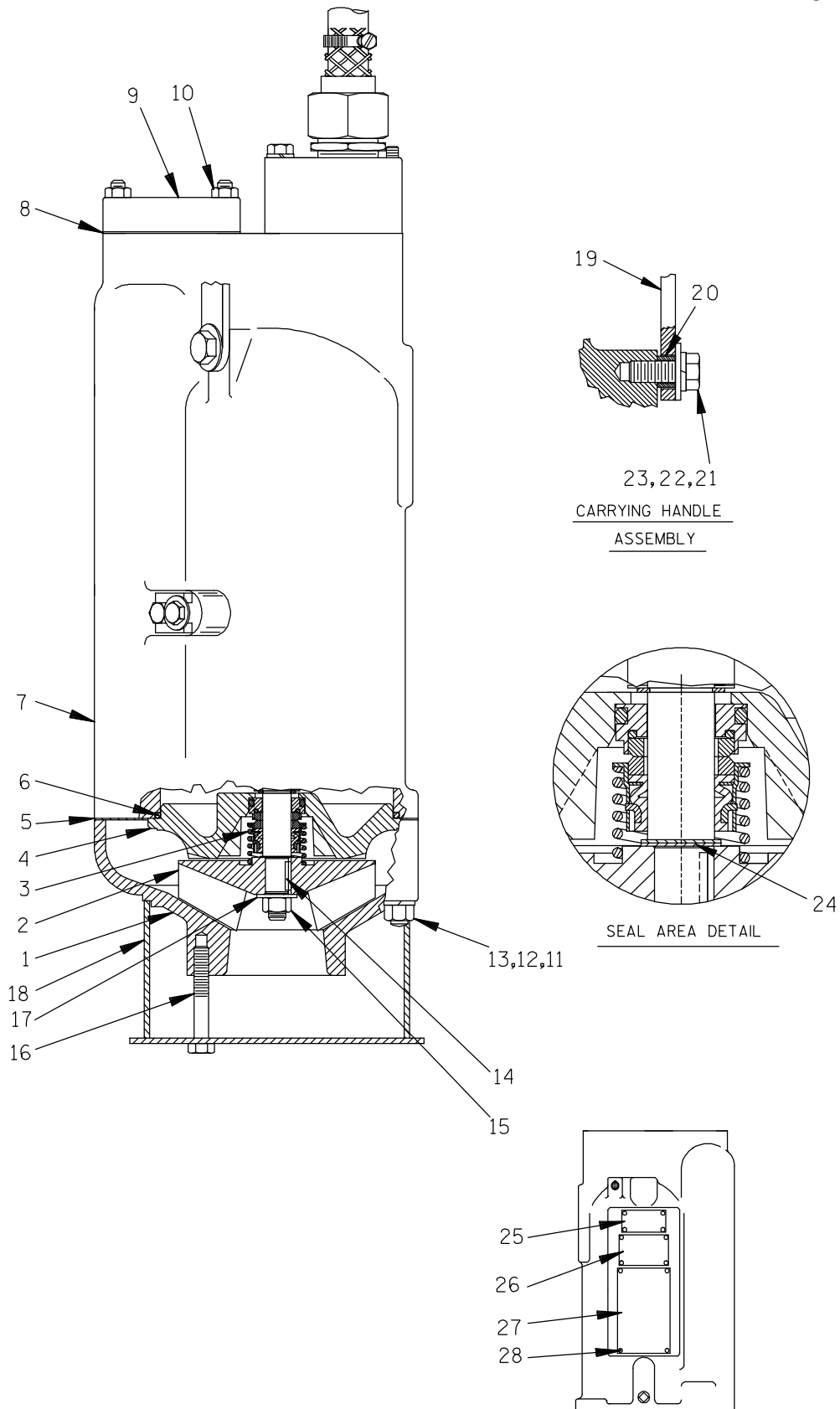
If your pump serial number is followed by an “N”, your pump is **NOT** a standard production model. Contact the Gorman-Rupp Company to verify performance or part numbers.



Pump speed and operating condition points must be within the continuous performance range shown on the curve(s).



Performance Curve – Model SM2E65–X3.5 460/575/3



THE GORMAN-RUPP COMPANY • MANSFIELD, OHIO

GORMAN-RUPP OF CANADA LIMITED • ST. THOMAS, ONTARIO, CANADA Printed in U.S.A.

**S/N 915775 Up
PUMP ISSUE 1**

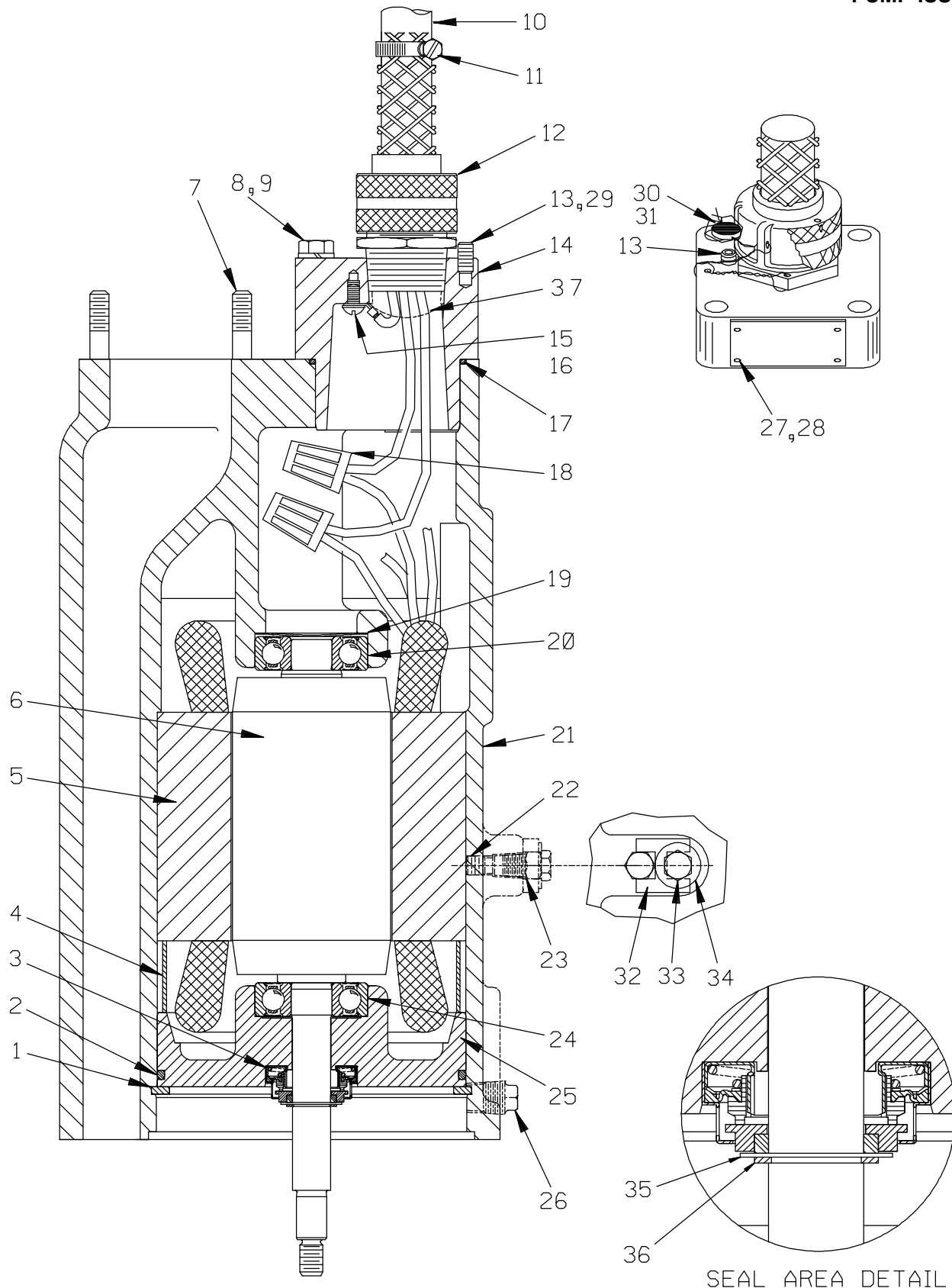
If your pump serial number is followed by an "N", your pump is **NOT** a standard production model. Contact the Gorman-Rupp Company to verify part numbers.

ITEM NO.	PART NAME	PART NUMBER	MAT'L CODE	QTY
1	SUCTION CASING	38222-430	17180	1
2	* IMPELLER	38614-710	1718H	1
3	* SEAL ASSEMBLY	46512-069	---	1
4	SEAL PLATE	38272-830	1718H	1
5	* CASING GASKET	38674-807	19370	1
6	* SEAL PLATE O-RING	25154-250	---	1
7	MOTOR ASSY (460V)	47111-068	---	1
	MOTOR ASSY (575V)	47111-069	---	1
8	* FLANGE GASKET	10195G	19370	1
9	DISCHARGE FLANGE	10195	17070	1
10	HEX NUT	D05	17090	4
11	STUD	C0611	17090	4
12	LOCKWASHER	J06	17090	4
13	HEX NUT	D06	17090	4
14	* IMPELLER KEY	N0202—1/2	17090	1
15	* IMPELLER NUT	D06	17090	1
16	NYLOCK CAPSCREW	BT0508	17090	4
17	FLAT WASHER	21161-828	---	1
18	STRAINER ASSY	46611-009	24170	1
19	HANDLE	10185A	17050	1
20	BUSHING	10194	17090	2
21	HEX HD CAPSCREW	B0604	17090	2
22	LOCKWASHER	J06	17090	2
23	FLAT WASHER	KB06	17090	2
24	* IMPELLER ADJUSTING SHIM SET	669	17090	1
25	PENN DOER APPL PLATE	2613FL	17040	1
26	NAME PLATE	2613DD	17040	1
27	MSHA PLATE	2613ES	17040	2
28	DRIVE SCREW	BM#04-03	17090	16
NOT SHOWN:				
	QUART SUBMERSIBLE PUMP OIL	9568	---	1
	VOLTAGE TAG (430V)	6588BL	---	1
	VOLTAGE TAG (575V)	6588BM	---	1
	CONTROL BOX (460V)	47631—146	---	1
	CONTROL BOX (575V)	47631—147	---	1
OPTIONAL:				
	STAGING ADAPTOR KIT	48272—016	---	1

* INDICATES PARTS RECOMMENDED FOR STOCK

THE GORMAN-RUPP COMPANY • MANSFIELD, OHIO

GORMAN-RUPP OF CANADA LIMITED • ST. THOMAS, ONTARIO, CANADA Printed in U.S.A.



THE GORMAN-RUPP COMPANY • MANSFIELD, OHIO

GORMAN-RUPP OF CANADA LIMITED • ST. THOMAS, ONTARIO, CANADA

Printed in U.S.A.

S/N 915775 Up
PUMP ISSUE 1

Pump Motor Assembly

ITEM NO.	PART NAME	PART NUMBER	MAT'L CODE	QTY
1	RETAINING RING	24121-077	---	1
2	* INTERMEDIATE O-RING	25152-248	---	1
3	* MECH SEAL ASSY	25276-011	---	1
4	MOTOR BUSHING	31134-060	23010	1
5	STATOR (460V)	47113-805	---	1
	STATOR (575V)	47113-806	---	1
6	ROTOR & SHAFT ASSY	47112-802	---	1
7	STUD	C0506	17090	4
8	HEX HD CAPSCREW	B0509	17090	4
9	LOCKWASHER	J05	17090	4
10	50 FT. CABLE ASSY	47351-011	---	1
11	HOSE CLAMP	26518-766	---	1
12	CABLE GRIP ASSY	27111-816	---	1
13	ALLEN HEAD SETSCREW	GA0402	17090	1
14	TERMINAL HOUSING	38381-205	17040	1
15	ROUND HEAD MACHINE SCREW	X#10-01 1/2	14990	2
16	T-TYPE LOCKWASHER	AK#10	15991	2
17	TERMINAL HOUSING O-RING	25154-141	---	1
18	CONNECTOR	S1718	---	5
19	SPRING WASHER	S1554	---	1
20	* BALL BEARING	23282-004	---	1
21	MOTOR HOUSING	38311-042	17040	1
22	ALLEN HEAD SETSCREW	GA0501 1/4	15990	1
23	PIPE PLUG	38649-022	17090	1
24	* BALL BEARING	23282-004	---	1
25	INTERMEDIATE	38261-016	13040	1
26	SEAL CAVITY FILL PLUG	P04	17090	1
27	CERTIFICATION PLATE	2613GX	17040	1
28	DRIVE SCREW	BM#04-03	17090	4
29	ALLEN HEAD SETSCREW	GA0401	17090	1
30	WIRE - 14 IN.	14964-103	---	1
31	LEAD SEAL	21188-002	---	1
32	LOCK CLIP	33645-008	17040	1
33	NYLOCK CAPSCREW	BT0403	17040	1
34	FLAT WASHER	KB04	17040	1
35	ADJUSTING SHIM SET	513A	17090	1
36	SNAP RING	24124-322	---	1
37	SILICONE ADHESIVE	18771-106	---	1

* INDICATES PARTS RECOMMENDED FOR STOCK

THE GORMAN-RUPP COMPANY • MANSFIELD, OHIO

GORMAN-RUPP OF CANADA LIMITED • ST. THOMAS, ONTARIO, CANADA Printed in U.S.A.

**For Warranty Information, Please Visit
www.grpumps.com/warranty
or call:
U.S.: 419-755-1280
Canada: 519-631-2870
International: +1-419-755-1352**

GORMAN-RUPP PUMPS