

C

Use With: OM-04417
MR-04431

PUBLICATION NUMBER PL-04432-01
March 19, 1996; Rev. B 03/06/98
Supersedes: OM-03267-01



PUMP MODEL
SM3B1-X6 460/575/3

MANUAL
PART 2 of 3

PARTS
LIST
WITH
PERFORMANCE CURVE

THE GORMAN-RUPP COMPANY • MANSFIELD, OHIO

GORMAN-RUPP OF CANADA LIMITED • ST. THOMAS, ONTARIO, CANADA Printed in U.S.A.

©Copyright by the Gorman-Rupp Company

PERFORMANCE CURVE – SECTION A

RECORDING MODEL AND SERIAL NUMBERS

Please record the pump model and serial number in the spaces provided below and in the separate Installation/Operation Manual accompanying your pump. Your Gorman-Rupp distributor needs this information when you require parts or service.

Pump Model: _____

Serial Number: _____

WARRANTY INFORMATION

The pump warranty is provided as part of Gorman-Rupp's support program for customers who operate and maintain their equipment as described in this manual and other accompanying literature. Please note that should the equipment be abused or modified to change its performance beyond the original factory specifications, the warranty will become void and any claim will be denied.

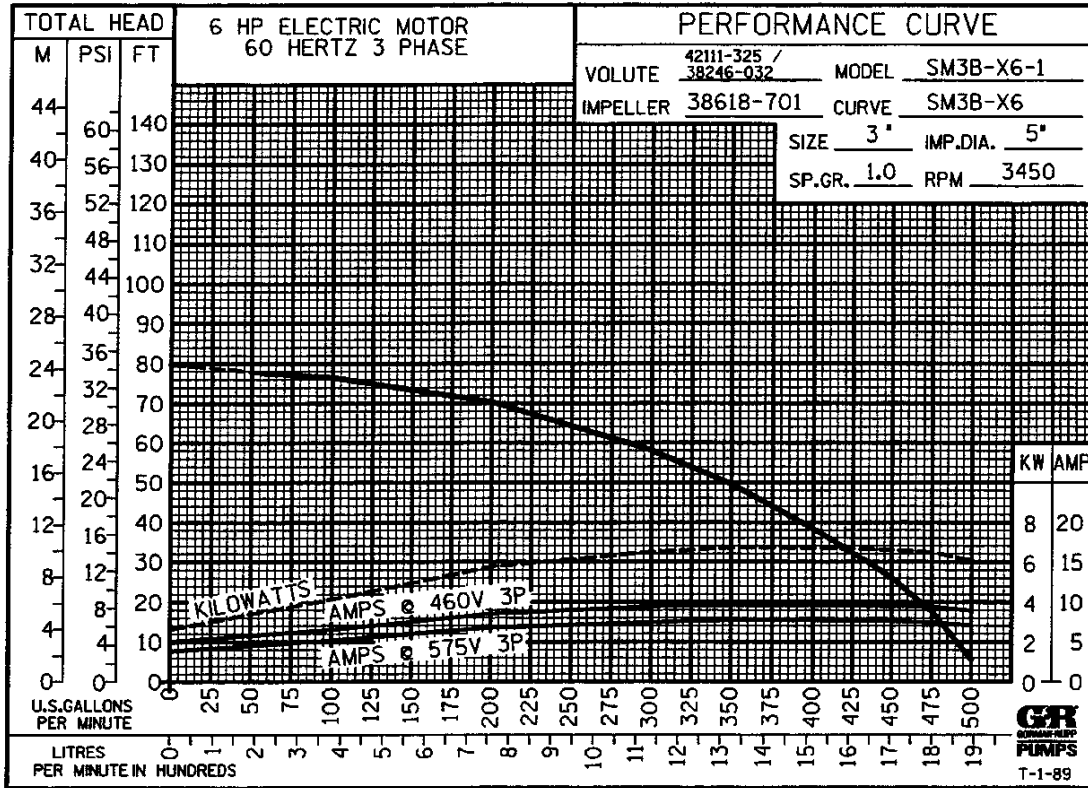
PERFORMANCE CURVES

The performance curve on this page is based on 70° F (21° C) clear water at sea level. Since pump installations are seldom identical, your performance may be different due to such factors as viscosity, specific gravity, elevation, temperature, and impeller trim.

If your pump serial number is followed by an "N", your pump is **NOT** a standard production model. Contact the Gorman-Rupp Company to verify performance or part numbers.



Pump speed and operating condition points must be within the continuous performance range shown on the curve(s).

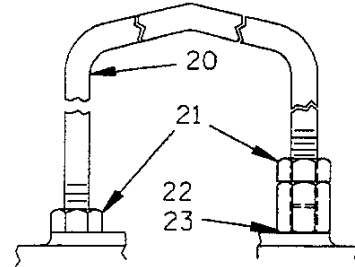
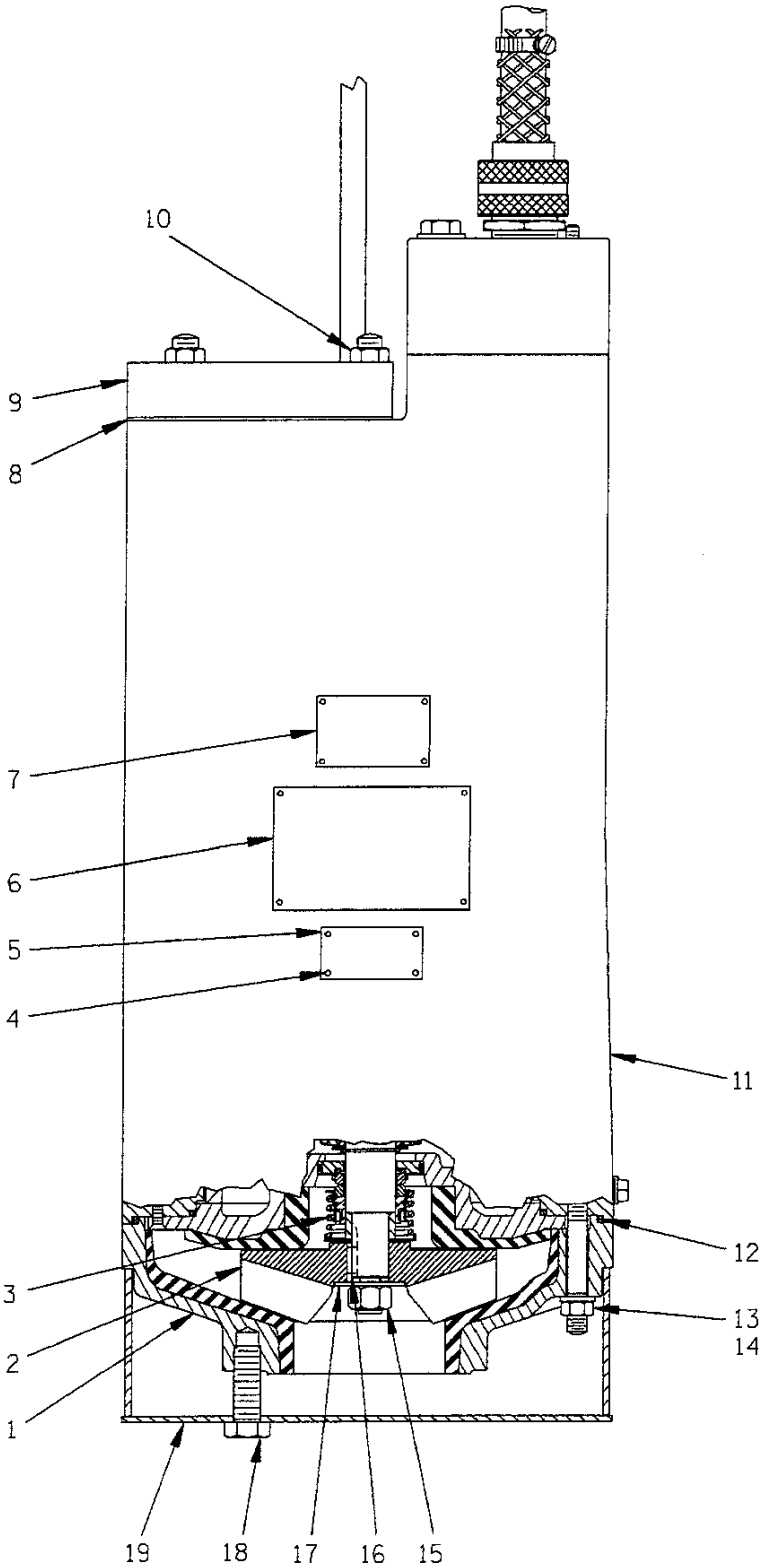


Performance Curve – Model SM3B1-X6 460/575/3

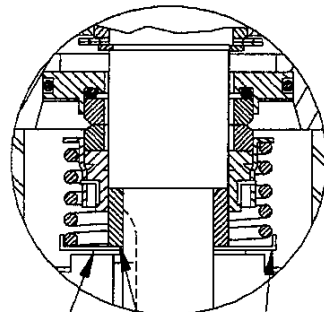
C

SM3B1 - X6 460/575/3

S/N 920668 Up
PUMP ISSUE 1



HOIST BAIL ASSEMBLY



SEAL AREA DETAIL

THE GORMAN-RUPP COMPANY • MANSFIELD, OHIO

GORMAN-RUPP OF CANADA LIMITED • ST. THOMAS, ONTARIO, CANADA

Printed in U.S.A.

JUNE 1, 1989
Rev. B 03/06/98

©Copyright by the Gorman-Rupp Company

1 of 4
Page 154.3 B1

SM3B1 – X6 460/575/3

C

**S/N 920668 Up
PUMP ISSUE 1**

If your pump serial number is followed by an "N", your pump is **NOT** a standard production model. Contact the Gorman-Rupp Company to verify part numbers.

ITEM NO.	PART NAME	PART NUMBER	MAT'L CODE	QTY
1	SUCTION HEAD ASSY	42111-325	24010	1
2	* IMPELLER	38618-701	11060	1
3	* SEAL ASSEMBLY	25277-345	---	1
4	DRIVE SCREW	BM#04-03	17000	12
5	PENN DOER APPL PLATE	2613FL	17020	1
6	* MSHA PLATE	2613ES	17020	1
7	NAME PLATE	2613DD	17020	1
8	* DISCHARGE FLANGE GASKET	38687-045	20000	1
9	DISCHARGE FLANGE	38641-006	13040	1
10	HEX NUT	D08	15991	3
11	MOTOR ASSEMBLY			
	–460V	47111-104	---	1
	–575V	47111-105	---	1
12	* SUCTION HEAD O-RING	25152-270	---	1
13	LOCKWASHER	J06	17000	6
14	HEX NUT	D06	17000	6
15	* IMPELLER NUT	22561-145	---	1
16	* IMPELLER KEY	N0302 1/2	17000	1
17	FLAT WASHER	KB08	17000	1
18	NYLOCK CAPSCREW	BT0806	15991	3
19	STRAINER ASSY	46611-001	2415V	1
20	HOIST BAIL	31926-009	1503V	1
21	HEX NUT	D08	15991	2
22	STUD	C0806	15991	1
23	COUPLING NUT	31811-019	15031	1
24	* IMPELLER ADJ SHIM SET	2Y	17090	REF
25	* SHAFT SLEEVE	13878	17020	1
26	* SPRING RETAINER	8793	17990	1

NOT SHOWN:

QUART SUBMERSIBLE PUMP OIL	9568	---	1
VOLTAGE TAG			
–460V	6588BL	---	1
–575V	6588BM	---	1
CONTROL BOX			
–460V	47631-148	---	1
–575V	47631-149	---	1

OPTIONAL:

STAGING ADAPTOR	48272-003	---	1
REPAIR GASKET SET	11000W	---	1

* INDICATES PARTS RECOMMENDED FOR STOCK

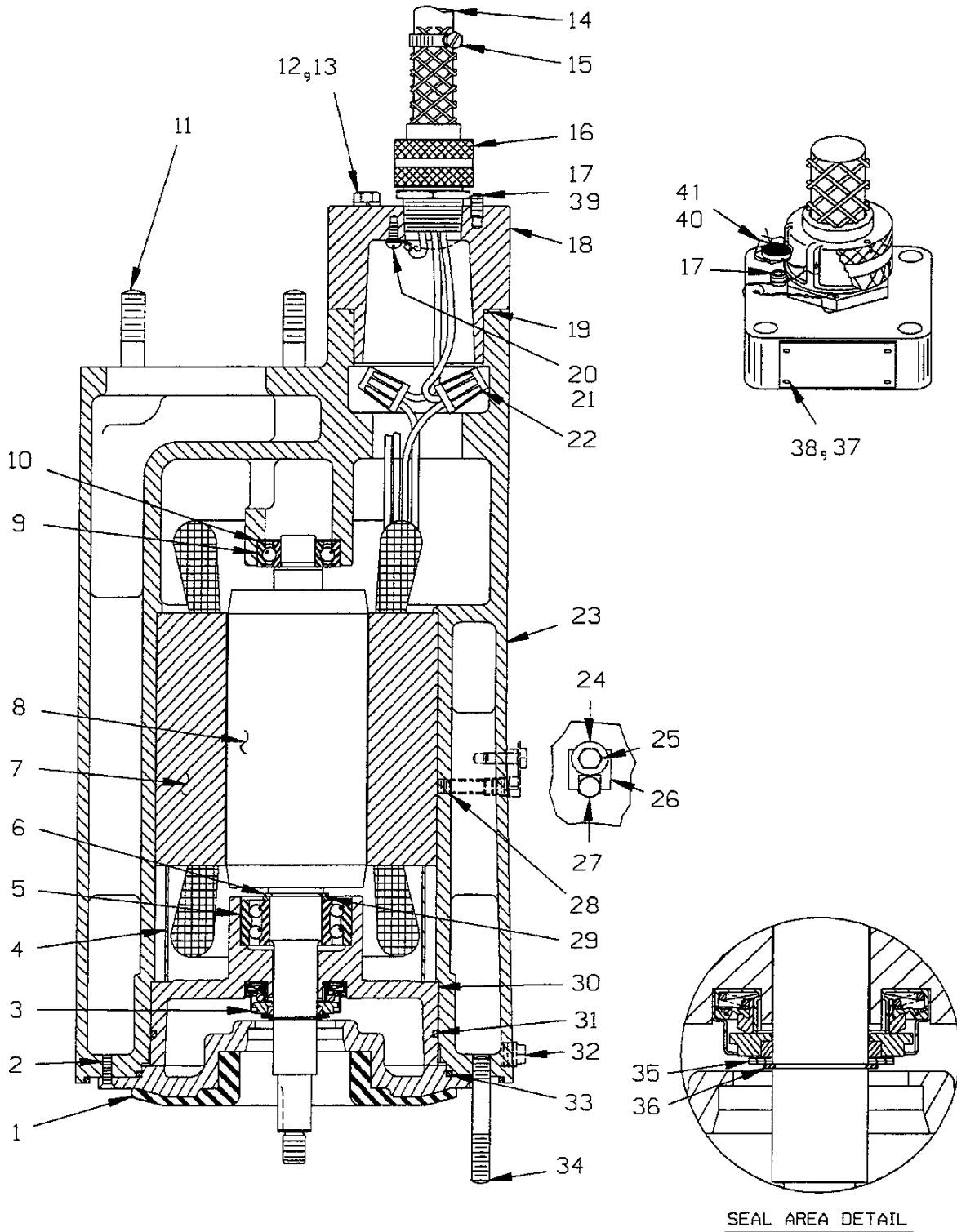
THE GORMAN-RUPP COMPANY • MANSFIELD, OHIO

GORMAN-RUPP OF CANADA LIMITED • ST. THOMAS, ONTARIO, CANADA Printed in U.S.A.

C

SM3B1-X6 460/575/3

S/N 920668 Up
PUMP ISSUE 1



THE GORMAN-RUPP COMPANY • MANSFIELD, OHIO

GORMAN-RUPP OF CANADA LIMITED • ST. THOMAS, ONTARIO, CANADA

Printed in U.S.A.

JUNE 1, 1989

Rev. B 03/06/98

©Copyright by the Gorman-Rupp Company

3 of 4

Page 154.3 B1

SM3B1-X6 460/575/3

C

S/N 920668 Up
PUMP ISSUE 1

ITEM NO.	PART NAME	PART NUMBER	MAT'L CODE	QTY
1	SEAL PLATE ASSY	42111-064	24010	1
2	FLAT HEAD MACHINE SCREW	Y#10-03	17000	2
3	* MECH SEAL ASSY	25276-031	---	1
4	MOTOR BUSHING	31173-017	23010	1
5	* BALL BEARING	23425-007	---	1
6	SNAP RING	S1831	---	1
7	STATOR (460V)	47113-817	---	1
	STATOR (575V)	47113-818	---	1
8	ROTOR & SHAFT ASSY	47112-805	---	1
9	* BALL BEARING	23257-009	---	1
10	SPRING WASHER	S1554	---	1
11	STUD	C0809	15991	3
12	HEX HD CAPSCREW	21632-569	---	4
13	LOCKWASHER	J05	15991	4
14	* CABLE ASSY - 50 FT.	47351-011	---	1
15	HOSE CLAMP	26518-666	---	1
16	CABLE GRIP ASSY	27111-016	---	1
17	ALLEN HEAD SETSCREW	GA0402	15991	1
18	TERMINAL HOUSING	38381-225	13040	1
19	* TERMINAL HOUSING O-RING	25154-149	---	1
20	RD HD MACH SCREW	X#10-01 1/2	14990	2
21	T-TYPE LOCKWASHER	AK#10	15991	2
22	CONNECTOR	S1718	---	5
23	MOTOR HOUSING	38311-028	13040	1
24	FLAT WASHER	KB04	17000	1
25	NYLOCK CAPSCREW	BT0403	17000	1
26	LOCK CLIP	33645-008	17040	1
27	PIPE PLUG	38649-022	17030	1
28	ALLEN HEAD SETSCREW	GA0501 1/4	15990	1
29	BEARING SPACER	21161-401	---	1
30	INTERMEDIATE	38261-024	13040	1
31	* INTERMEDIATE O-RING	25152-258	---	1
32	* SEAL CAVITY FILL PLUG	P04	17000	1
33	* SEAL PLATE O-RING	S2194	---	1
34	STUD	C0611	17000	6
35	* ADJUSTING SHIM SET	2X	17090	1
36	RETAINING RING	S362	---	1
37	CERTIFICATION PLATE	2613GX	17020	1
38	DRIVE SCREW	BM#04-03	17000	4
39	ALLEN HEAD SETSCREW	GA0401	15991	1
40	WIRE - 14 IN.	31311-004	17990	1
41	LEAD SEAL	21188-002	---	1

OPTIONAL:

REPAIR BEARING KIT	48124-902	---	1
RTV SEALANT	18771-106	---	1

* INDICATES PARTS RECOMMENDED FOR STOCK

THE GORMAN-RUPP COMPANY • MANSFIELD, OHIO

GORMAN-RUPP OF CANADA LIMITED • ST. THOMAS, ONTARIO, CANADA Printed in U.S.A.

**For U.S. and International Warranty Information,
Please Visit www.grpumps.com/warranty**

or call:

U.S.: 419-755-1280

International: +1-419-755-1352

**For Canadian Warranty Information,
Please Visit www.grcanada.com/warranty**

or call:

519-631-2870

THE GORMAN-RUPP COMPANY • MANSFIELD, OHIO

GORMAN-RUPP OF CANADA LIMITED • ST. THOMAS, ONTARIO, CANADA