

C

Use With: OM-04417  
MR-04441

PUBLICATION NUMBER PL-04442-02  
Pump Issue 2  
April 1, 1996



# PUMP MODEL SM4C1 - X10 460/575/3

**MANUAL  
PART 2 of 3**

**PARTS  
LIST  
WITH  
PERFORMANCE CURVE**

**THE GORMAN-RUPP COMPANY • MANSFIELD, OHIO**

GORMAN-RUPP OF CANADA LIMITED • ST. THOMAS, ONTARIO, CANADA Printed in U.S.A.

©Copyright by the Gorman-Rupp Company



## PERFORMANCE CURVE – SECTION A

### RECORDING MODEL AND SERIAL NUMBERS

Please record the pump model and serial number in the spaces provided below and in the separate Installation/Operation Manual accompanying your pump. Your Gorman-Rupp distributor needs this information when you require parts or service.

Pump Model: \_\_\_\_\_

Serial Number: \_\_\_\_\_

### WARRANTY INFORMATION

The pump warranty is provided as part of Gorman-Rupp's support program for customers who operate and maintain their equipment as described in this manual and other accompanying literature. Please note that should the equipment be abused or modified to change its performance beyond the original factory specifications, the warranty will become void and any claim will be denied.

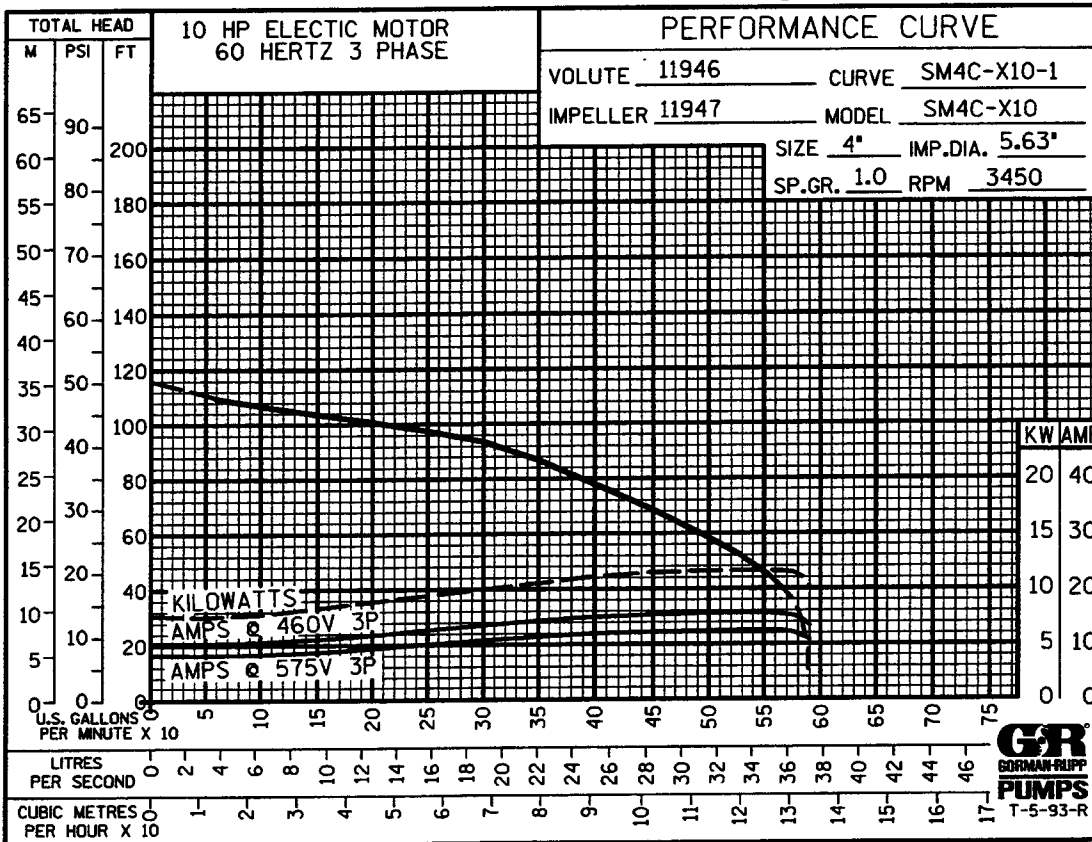
### PERFORMANCE CURVES

The performance curve on this page is based on 70° F (21° C) clear water at sea level. Since pump installations are seldom identical, your performance may be different due to such factors as viscosity, specific gravity, elevation, temperature, and impeller trim.

If your pump serial number is followed by an "N", your pump is **NOT** a standard production model. Contact the Gorman-Rupp Company to verify performance or part numbers.



Pump speed and operating condition points must be within the continuous performance range shown on the curve(s).

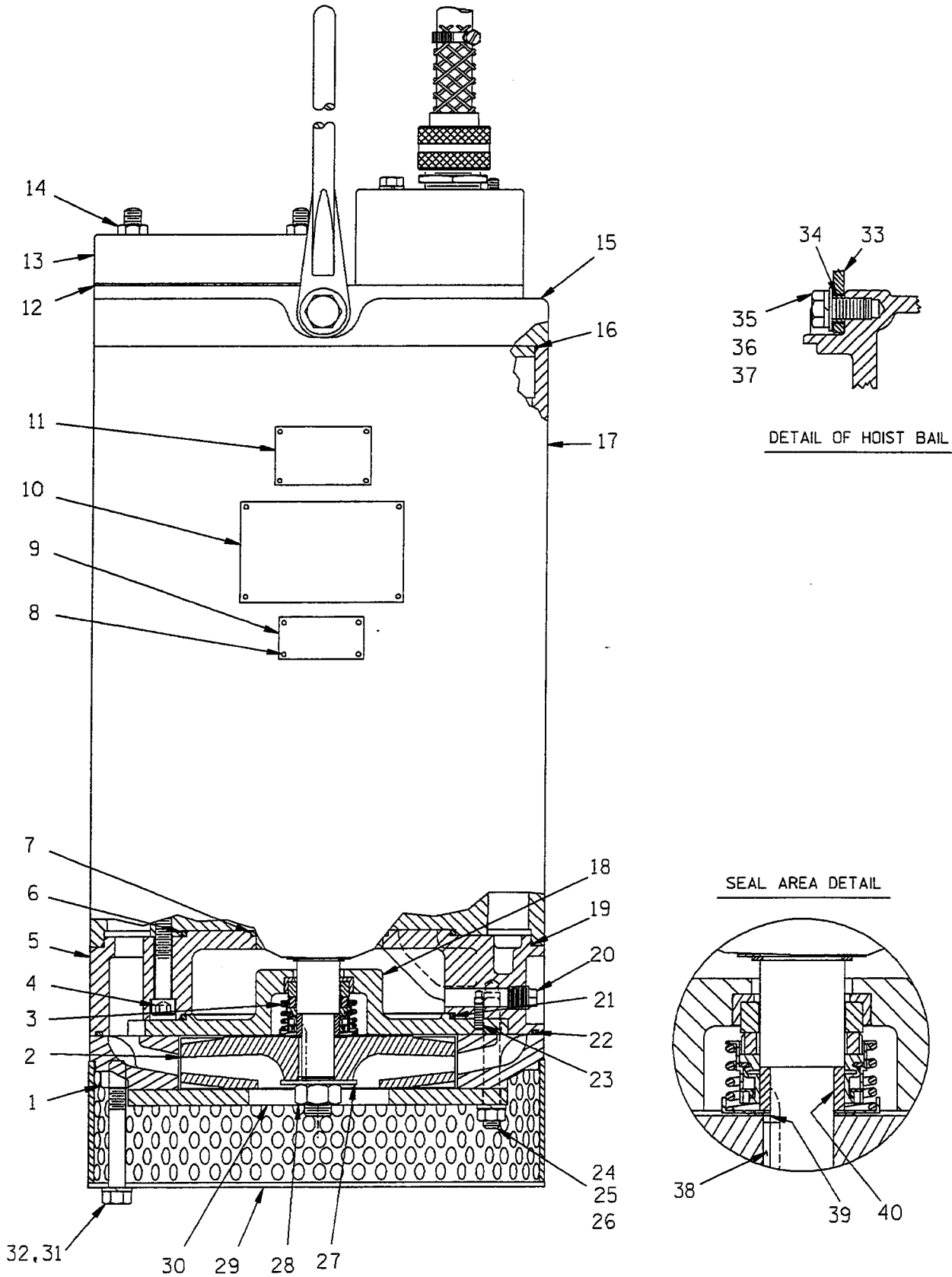


**Performance Curve – Model SM4C1-X10 460/575/3**

C

# SM4C1-X10 460/575/3

S/N 1136140 UP  
PUMP ISSUE 2



**THE GORMAN-RUPP COMPANY • MANSFIELD, OHIO**

GORMAN-RUPP OF CANADA LIMITED • ST. THOMAS, ONTARIO, CANADA

Printed in U.S.A.

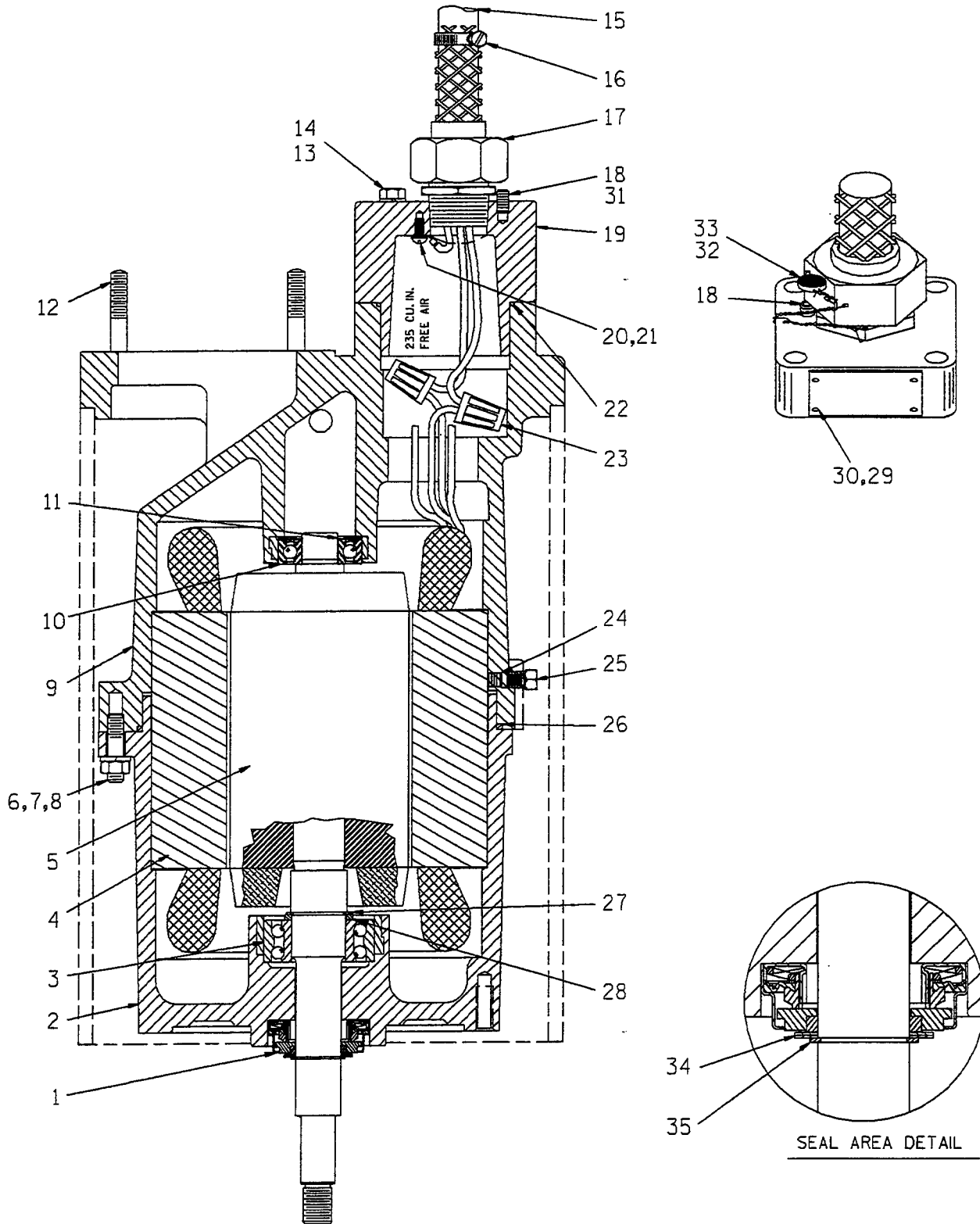
1 of 4

APRIL 1, 1996

©Copyright by the Gorman-Rupp Company

Page 154.4 C1





S/N 1136140 UP  
PUMP ISSUE 2

ITEM NO.		PART NAME	PART NUMBER	MAT'L CODE	QTY
1	*	MECH SEAL ASSY	25276-031	---	1
2		LOWER MOTOR HOUSING	38311-025	13040	1
3	*	BALL BEARING	23425-007	---	1
4		STATOR (460V)	47113-815	---	1
		STATOR (575V)	47113-816	---	1
5		ROTOR & SHAFT ASSY	47112-808	---	1
6		STUD	C0606	17000	8
7		DEFORM LOCKNUT	DD06	17000	8
8		LOCKWASHER	J06	17000	8
9		UPPER MOTOR HOUSING	38311-057	13000	1
10	*	BALL BEARING	23257-009	---	1
11		SPRING WASHER	S1554	---	1
12		STUD	C0609	15991	4
13		HEX HD CAPSCREW	B0511	15991	4
14		LOCKWASHER	J05	15991	4
15	*	CABLE ASSY - 50 FT.	47351-011	---	1
16		HOSE CLAMP	26518-666	---	1
17		CABLE GRIP ASSY	27111-016	---	1
18		ALLEN HEAD SETSCREW	GA0402	15991	1
19		TERMINAL HOUSING	38381-225	13040	1
20		T-TYPE LOCKWASHER	AK#10	15991	2
21		RD HD MACH SCREW	X#10-01 1/2	14990	2
22	*	TERMINAL HOUSING O-RING	25154-149	---	1
23		CONNECTOR	S1718	---	5
24		ALLEN HEAD SETSCREW	GA0501 1/4	15990	2
25		PIPE PLUG	38649-022	17030	2
26	*	MOTOR HOUSING O-RING	25152-265	---	1
27		SNAP RING	S1831	---	1
28		BEARING SPACER	21161-401	---	1
29		CERTIFICATION PLATE	2613GX	17020	1
30		DRIVE SCREW	BM#04-03	17000	4
31		ALLEN HEAD SETSCREW	GA0401	15991	1
32		LEAD SEAL	21188-002	---	1
33		WIRE - 14 IN.	31311-004	17990	1
34	*	ADJUSTING SHIM SET	2X	17090	1
35		RETAINING RING	S362	---	1

## OPTIONAL:

REPAIR BEARING KIT	48124-902	---	1
1 OZ RTV SEALANT	18771-106	---	1

\* INDICATES PARTS RECOMMENDED FOR STOCK

**THE GORMAN-RUPP COMPANY • MANSFIELD, OHIO**

**For U.S. and International Warranty Information,  
Please Visit [www.grpumps.com/warranty](http://www.grpumps.com/warranty)  
or call:  
U.S.: 419-755-1280  
International: +1-419-755-1352**

**For Canadian Warranty Information,  
Please Visit [www.grcanada.com/warranty](http://www.grcanada.com/warranty)  
or call:  
519-631-2870**