

Use With: OM-04417
MR-05421

PUBLICATION NUMBER PL-04449-03
August 2, 2002
Rev. A - 09/12/19



PUMP MODEL
SM4E1-X20 460/575/3

MANUAL
PART 2 of 3

PARTS
LIST
WITH
PERFORMANCE CURVE

GORMAN-RUPP PUMPS

www.grpumps.com

©2002 Gorman-Rupp Pumps

Printed in U.S.A.

PERFORMANCE CURVE – SECTION A

RECORDING MODEL AND SERIAL NUMBERS

Please record the pump model and serial number in the spaces provided below and in the separate Installation/Operation Manual accompanying your pump. Your Gorman-Rupp distributor needs this information when you require parts or service.

Pump Model: _____

Serial Number: _____

WARRANTY INFORMATION

The pump warranty is provided as part of Gorman-Rupp’s support program for customers who operate and maintain their equipment as described in this manual and other accompanying literature. Please note that should the equipment be abused or modified to change its performance beyond the original factory specifications, the warranty will become void and any claim will be denied.



Use **Only Genuine Gorman-Rupp** replacement parts. Failure to do so may create a hazard and damage the pump or diminish optimal pump performance. Any such hazard, damage or diminished performance is not covered by the warranty.

NOTE

When appropriate recycling facilities are available, the user should recycle components and fluids when doing any routine maintenance / repairs and also at the end of the pump’s useful life. All other components and fluids shall be disposed of according to all applicable codes and regulations.

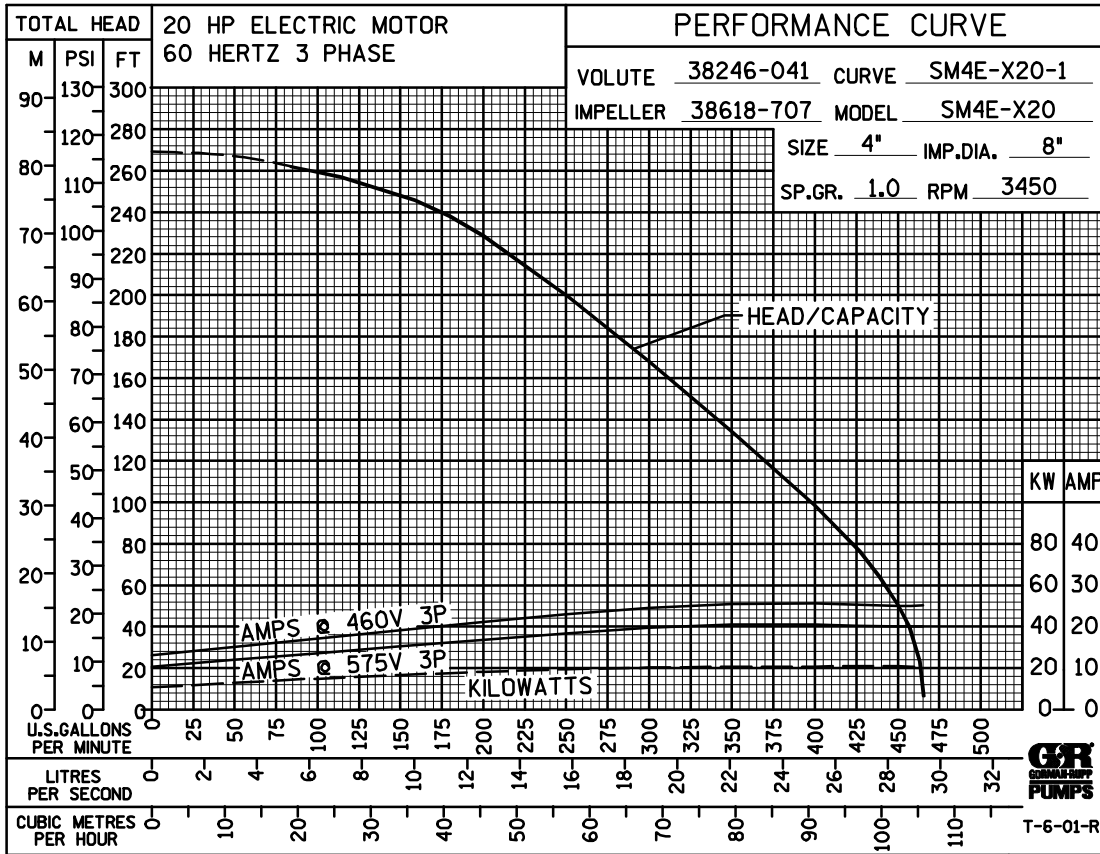
PERFORMANCE CURVES

The performance curve on this page is based on 70° F (21° C) clear water at sea level. Since pump installations are seldom identical, your performance may be different due to such factors as viscosity, specific gravity, elevation, temperature, and impeller trim.

If your pump serial number is followed by an “N”, your pump is **NOT** a standard production model. Contact the Gorman-Rupp Company to verify performance or part numbers.

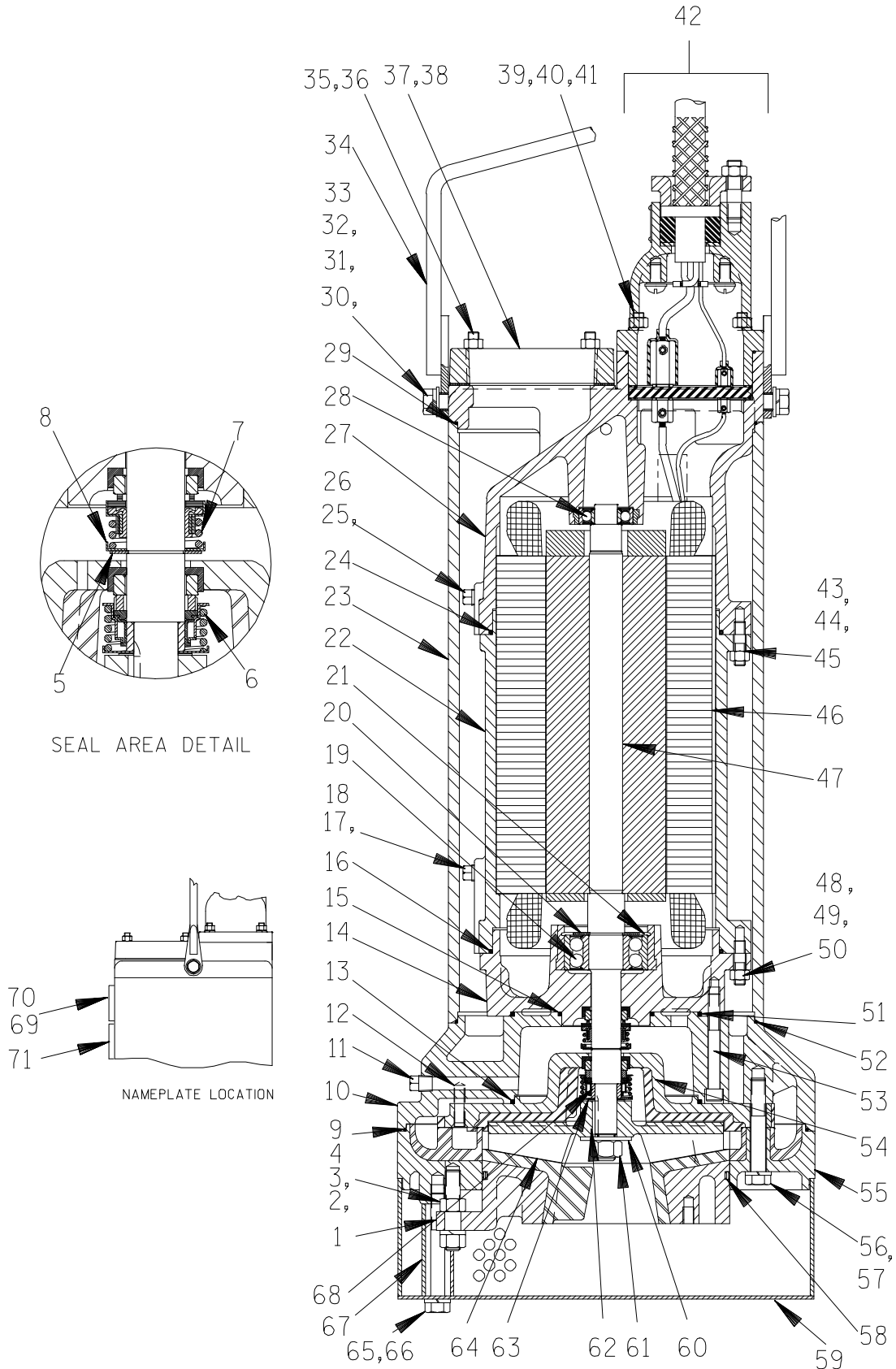


Pump speed and operating condition points must be within the continuous performance range shown on the curve(s).



Performance Curve – Model SM4E1–X20 460/575/3

SM4E1-X20 460/575/3



THE GORMAN-RUPP COMPANY • MANSFIELD, OHIO

GORMAN-RUPP OF CANADA LIMITED • ST. THOMAS, ONTARIO, CANADA

Printed in U.S.A.

SM4E1—X20 460/575/3

CS

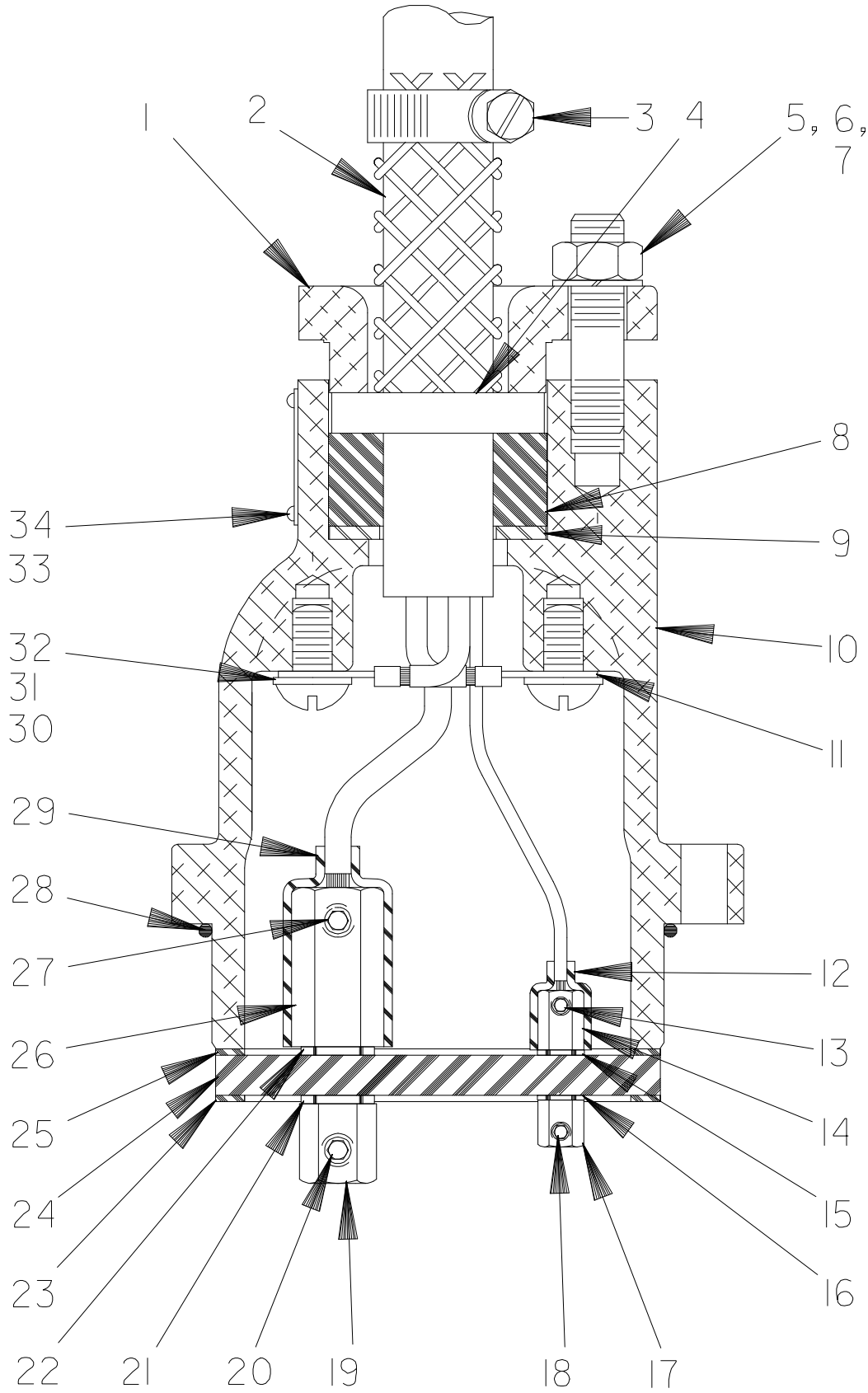
S/N 1254279 Up
PUMP ISSUE 3

If your pump serial number is followed by an "N", your pump is **NOT** a standard production model. Contact the Gorman-Rupp Company to verify part numbers.

ITEM NO.	PART NAME	PART NUMBER	QTY	ITEM NO.	PART NAME	PART NUMBER	QTY
1	SUCTION HEAD	38246-041 24010	1		-460V	47113-822	1
2	THREADED ROD	31345-088 17000	6		-575V	47113-823	1
3	HEX NUT	D08 17000	12	47	ROTOR & SHAFT ASSY	47112-812	1
4	LOCK WASHER	J08 17000	6	48	STUD	C0606 17000	8
5	RETAINING RING	S362	1	49	HEX NUT	D06 17000	8
6 *	SEAL ASSEMBLY	46512-057	1	50	LOCKWASHER	J06 17000	8
7 *	SEAL ASSEMBLY	25271-866	1	51 *	INTERMEDIATE O-RING	25152-259	1
8	SPRING HOLDER	25273-260	1	52 *	PUMP CASING O-RING	S1830	1
9 *	DIFFUSER O-RING	25152-279	1	53	SOC HD CAPSCREW	DM0613 17000	6
10	INTERMEDIATE	38261-029 13000	1	54	SEAL PLATE	38272-422 24010	1
11	SEAL DRAIN/FILL PLUG	P04 17000	1	55	DIFFUSER	38632-068 24010	1
12	FLT HD MACH SCREW	Y0405 17000	3	56	HEX HD CAPSCREW	B0812 17000	6
13 *	SEAL PLATE O-RING	25152-259	1	57	LOCK WASHER	J08 17000	6
14	LWR MOTOR HOUSING	38311-053 13000	1	58 *	SUCTION HEAD O-RING	25152-369	1
15 *	MTR HOUSING O-RING	25152-234	1	59	STRAINER ASSEMBLY	46611-012	1
16 *	MTR HOUSING O-RING	25152-265	1	60	FLAT WASHER	KB10 17000	1
17	PIPE PLUG	38649-022 17030	2	61 *	IMPELLER NUT	D10S 17000	1
18	ALLEN HD SETSCREW	GA0501 1/4 15990	2	62 *	IMPELLER KEY	N0304 1/2 17000	1
19 *	LOWER BALL BEARING	23425-457	1	63	IMPELLER ADJ SHIM SET	2Y 17090	1
20	SNAP RING	S1831	1	64	IMPELLER	38618-707	1
21	OUTER RETAINING RING	24121-552	1	65	HEX HD CAPSCREW	B0815 15991	3
22	MDL MOTOR HOUSING	38311-040 13000	1	66	LOCKWASHER	J08 15991	3
23	PUMP CASING	38311-813 13005	1	67	SUPPORT PIPE	31412-064 15070	3
24 *	MDL MTR HSG O-RING	25152-265	1	68 *	SHAFT SLEEVE	13878 17020	1
25	PIPE PLUG	38649-022 17030	2	69	DRIVE SCREW	BM#04-03 17000	12
26	ALLEN HD SETSCREW	GA0501-1/4 15990	2	70	MSHA PLATE	2613ES 17020	2
27	UPPER MOTOR HOUSING	38311-039 13000	1	71	PENN DEP APPL PLATE	2613FL 17020	1
28	UPPER BALL BEARING	23257-009	1		NOT SHOWN:		
29 *	PUMP CASING O-RING	S1830	1		DRIVE SCREW	BM#04-03 17000	2
30	BAIL BUSHING	9562 15991	2		HEAT SHRINK TUB X .375"	18763-248	1
31	HEX HD CAPSCREW	B0804 15991	2		CONTROL BOX		
32	LOCK WASHER	J08 15991	2		-460V	47631-152	1
33	FLAT WASHER	KE08 15991	2		-575V	47631-153	1
34	HOIST BAIL	11959	1		IMPELLER PULLER	48711-018	1
35	STUD	C0609 15991	4		NAME PLATE	2613GH 17020	1
36	HEX NUT	D06 15991	4		INSTRUCTION TAG	38817-073	1
37	DISCHARGE FLANGE	11957 13040	1		MOTOR VOLTAGE TAG		
38 *	DISCH FLANGE GASKET	11957G 20000	1		-460V	6588BL	1
39	STUD	C0607 17000	4		-575V	6588BM	1
40	HEX NUT	D06 17000	4		G-R DECAL	GR-03	1
41	LOCK WASHER	J06 17000	4		OPTIONAL:		
42	TERM HSG/CABLE ASSY	47367-075	1		GASKET SET	48211-085	1
43	STUD	C0606 17000	8		STAGING ADPT KIT	48272-017	1
44	HEX NUT	D06 17000	8				
45	LOCK WASHER	J06 17000	8				
46	STATOR						

* INDICATES PARTS RECOMMENDED FOR STOCK

THE GORMAN-RUPP COMPANY • MANSFIELD, OHIO



THE GORMAN-RUPP COMPANY • MANSFIELD, OHIO

GORMAN-RUPP OF CANADA LIMITED • ST. THOMAS, ONTARIO, CANADA

Printed in U.S.A.

S/N 1254279 Up
PUMP ISSUE 3

ITEM NO.	PART NAME	PART NUMBER	MAT'L CODE	QTY
1	TERMINAL GLAND	11367	13040	1
2	* CABLE ASSY - 50 FT.	47325-010	---	1
3	HOSECLAMP	26518-666	---	1
4	* CABLE GRIP	11227L	---	1
5	STUD	C0808	17000	2
6	HEX NUT	D08	17000	2
7	LOCKWASHER	J08	17000	2
8	GLAND BUSHING	10758K	19410	1
9	TERMINAL WASHER	10659	15991	1
10	TERMINAL HOUSING	38381-226	13000	1
11	TERMINAL	27214-035	---	1
12	HEAT SHRINK TUBE	31412-056	19530	2
13	ALLEN HEAD SETSCREW	GA#10-01S	15991	2
14	TERMINAL COLLAR	31811-057	14100	2
15	* DYNA SEAL WASHER	S1590	---	2
16	* DYNA SEAL WASHER	S1590	---	2
17	TERMINAL POST	11181	14100	2
18	ALLEN HEAD SETSCREW	GA#10-01S	15991	2
19	TERMINAL POST	38724-009	14100	3
20	ALLEN HEAD SETSCREW	GA0501-1/2	14990	3
21	* DYNA SEAL WASHER	S1586	---	3
22	* DYNA SEAL WASHER	S1586	---	3
23	* TERMINAL PLATE GASKET	38687-529	20000	1
24	* TERMINAL PLATE	38711-001	23010	1
25	* TERMINAL PLATE GASKET	38687-529	20000	1
26	TERMINAL COLLAR	10144	14100	3
27	ALLEN HEAD SETSCREW	GA0501-1/2	14990	3
28	* O-RING	25154-155	---	1
29	HEAT SHRINK TUBE	31413-014	19530	3
30	TERMINAL	S1550	---	1
31	ROUND HEAD MACHINE SCREW	X0603	14990	2
32	T TYPE LOCKWASHER	AK06	15991	2
33	DRIVE SCREW	BM#04-03	17000	4
34	CERTIFICATION PLATE	2613GX	17020	1

NOT SHOWN:

RTV SEALANT	18771-106	---	1 OZ
-------------	-----------	-----	------

* INDICATES PARTS RECOMMENDED FOR STOCK

THE GORMAN-RUPP COMPANY • MANSFIELD, OHIO

**For Warranty Information, Please Visit
www.grpumps.com/warranty
or call:
U.S.: 419-755-1280
Canada: 519-631-2870
International: +1-419-755-1352**

GORMAN-RUPP PUMPS