

C

PUBLICATION NUMBER PL-04453--02  
April 1, 2002

Use With: OM-04417  
MR-05365



**PUMP MODEL**  
**SM4G1 – X30 460/575/3**

**MANUAL**  
**PART 2 of 3**

**PARTS**  
**LIST**  
**WITH**  
**PERFORMANCE CURVE**

**THE GORMAN-RUPP COMPANY • MANSFIELD, OHIO**

**GORMAN-RUPP OF CANADA LIMITED • ST. THOMAS, ONTARIO, CANADA** Printed in U.S.A.

©Copyright by the Gorman-Rupp Company

Register your new  
Gorman-Rupp pump online at  
**[www.grpumps.com/register](http://www.grpumps.com/register)**.

Valid serial number and e-mail address required.

**RECORD YOUR PUMP MODEL AND SERIAL NUMBER**

Please record your pump model and serial number in the spaces provided below. Your Gorman-Rupp distributor needs this information when you require parts or service.

Pump Model: \_\_\_\_\_

Serial Number: \_\_\_\_\_

## PERFORMANCE CURVE – SECTION A

### RECORDING MODEL AND SERIAL NUMBERS

Please record the pump model and serial number in the spaces provided below and in the separate Installation/Operation Manual accompanying your pump. Your Gorman-Rupp distributor needs this information when you require parts or service.

Pump Model: \_\_\_\_\_

Serial Number: \_\_\_\_\_

### WARRANTY INFORMATION

The pump warranty is provided as part of Gorman-Rupp's support program for customers who operate and maintain their equipment as described in this manual and other accompanying literature. Please note that should the equipment be abused or modified to change its performance beyond the original factory specifications, the warranty will become void and any claim will be denied.

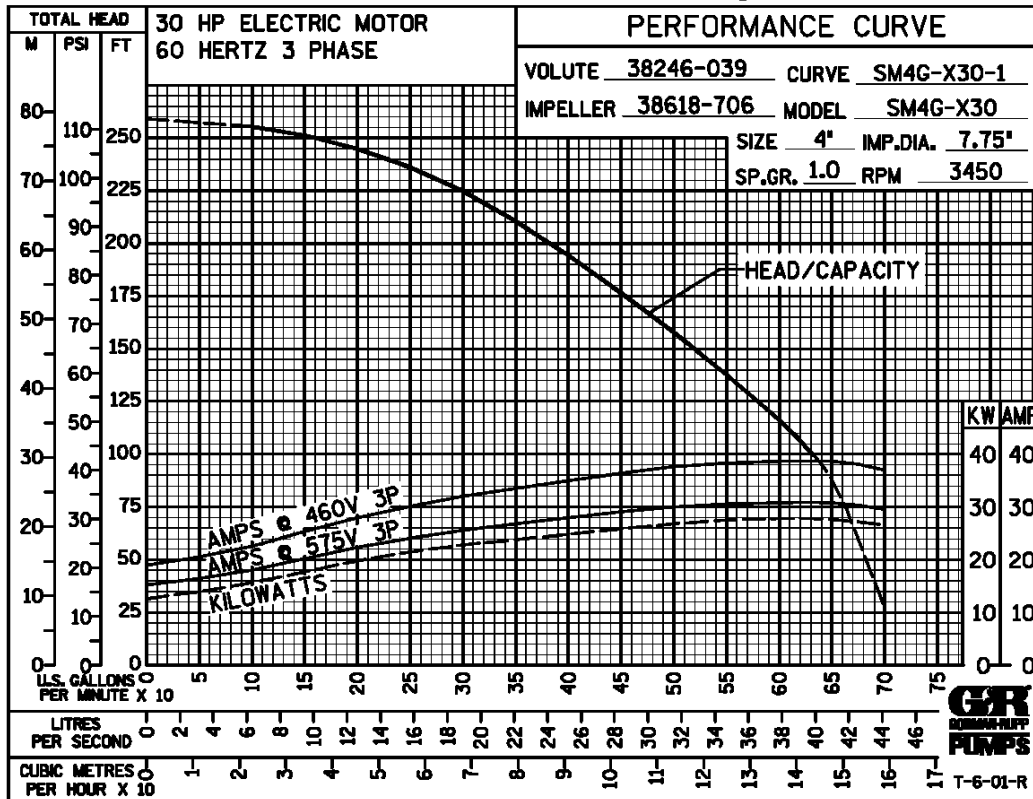
### PERFORMANCE CURVE

The performance curve below is based on 70° F (21° C) clear water at sea level. Since pump installations are seldom identical, your performance may be different due to such factors as viscosity, specific gravity, elevation, temperature, and impeller trim.

If your pump serial number is followed by an "N", your pump is **NOT** a standard production model. Contact the Gorman-Rupp Company to verify performance or part numbers.



Pump speed and operating condition points must be within the continuous performance range shown on the curve(s).

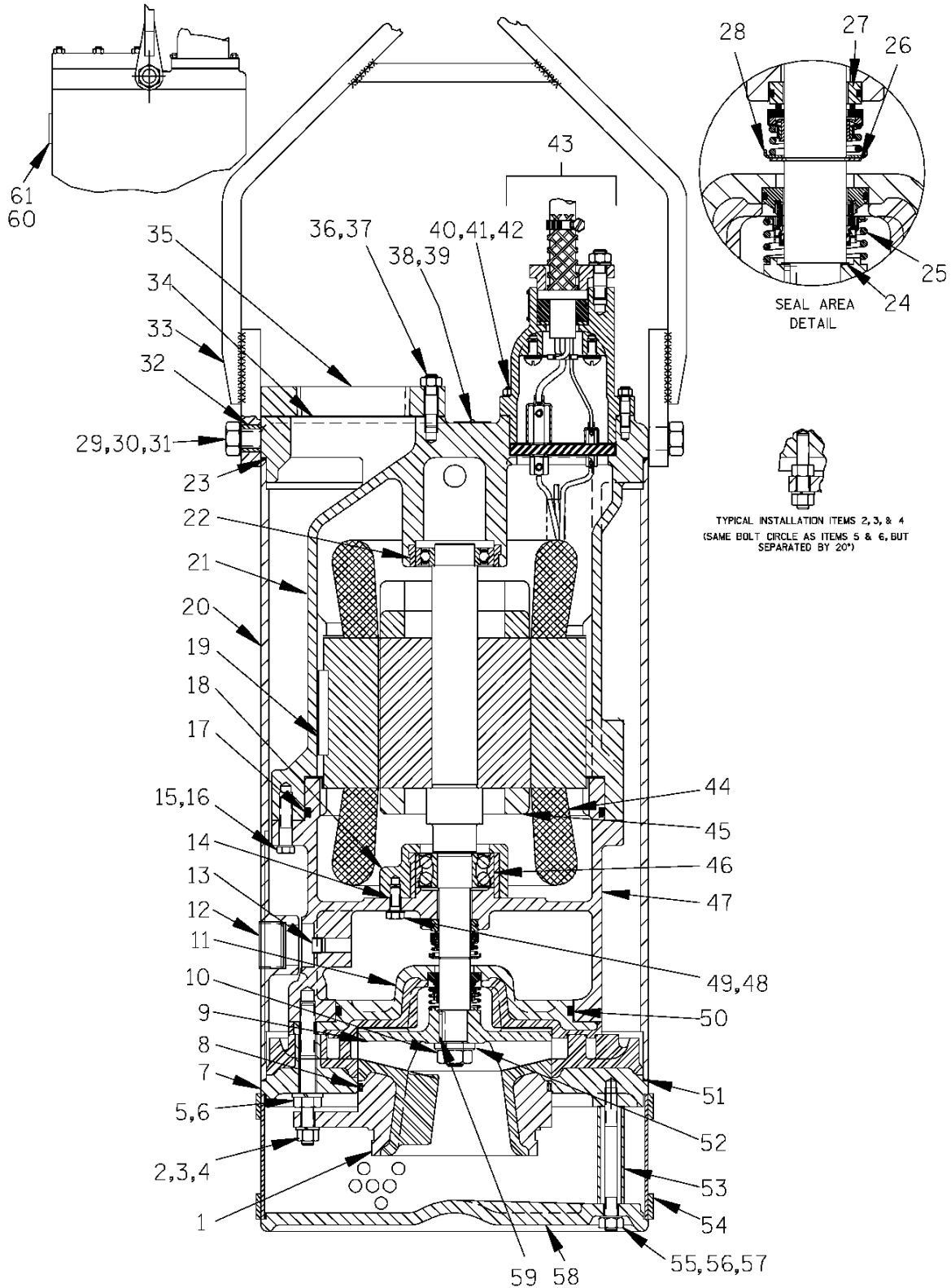


Performance Curve – Model SM4G1–X30 460/575/3

C

# SM4G1-X30 460/575/3

S/N 1241784 Up  
PUMP ISSUE 2



**THE GORMAN-RUPP COMPANY • MANSFIELD, OHIO**

GORMAN-RUPP OF CANADA LIMITED • ST. THOMAS, ONTARIO, CANADA Printed in U.S.A.

APRIL 1, 2002

©Copyright by the Gorman-Rupp Company

1 of 4

Page 154.4 G1

**S/N 1241784 Up  
PUMP ISSUE 2**

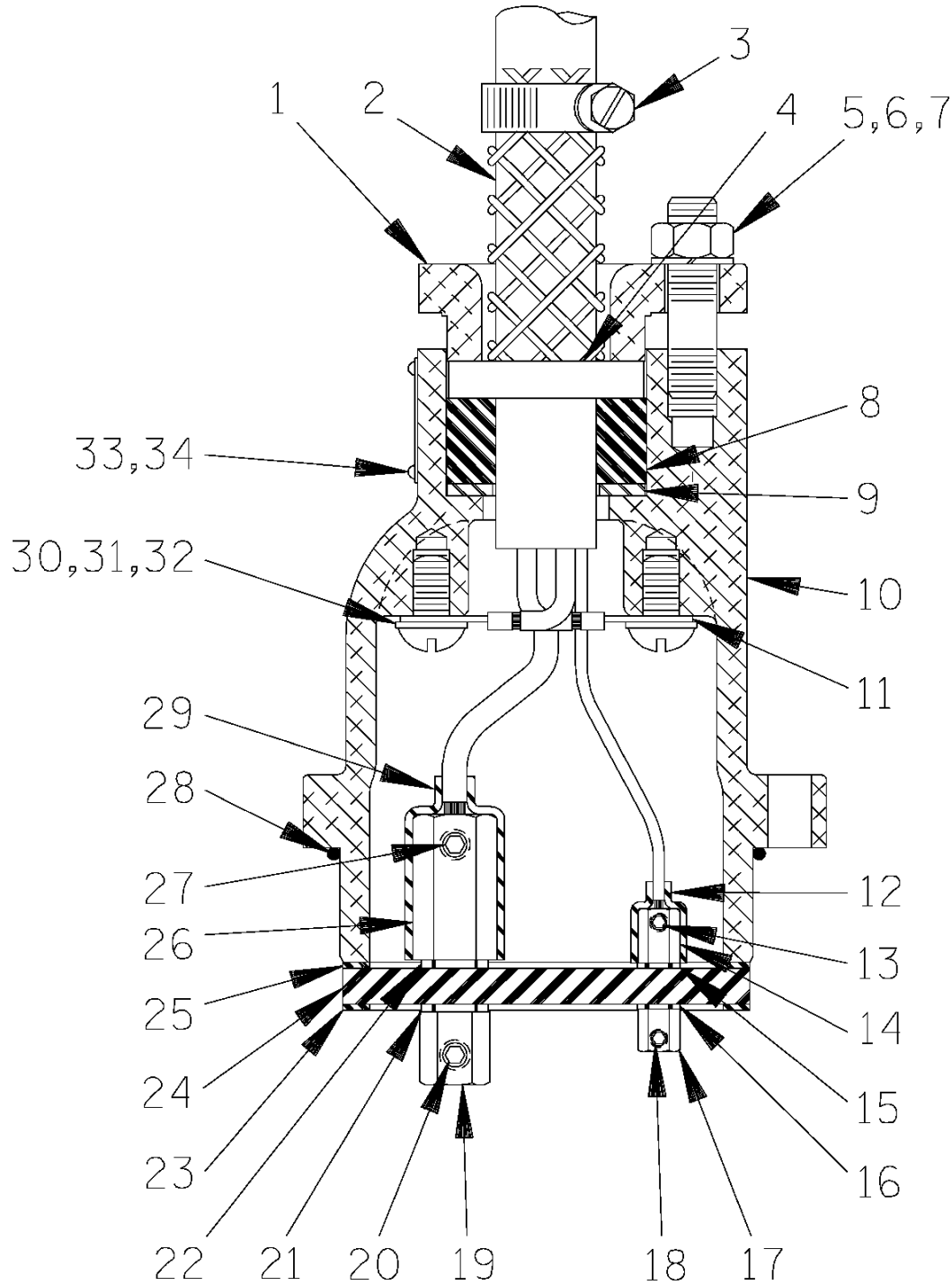
If your pump serial number is followed by an "N", your pump is **NOT** a standard production model. Contact the Gorman-Rupp Company to verify part numbers.

ITEM NO.	PART NAME	PART NUMBER	MAT'L CODE	QTY	ITEM NO.	PART NAME	PART NUMBER	MAT'L CODE	QTY
1	SUCTION HEAD	38246-039	24010	1	37	HEX NUT	D08	15991	6
2	3" LG. THREADED ROD	31345-087	17000	6	38	NAME PLATE	2613GH	17020	1
3	HEX NUT	D08	17000	12	39	DRIVE SCREW	BM#04-03	17000	2
4	LOCKWASHER	J08	17000	6	40	STUD	C0607	17000	4
5	HEX HD CAPSCREW	B1015	17000	6	41	LOCKWASHER	J06	17000	4
6	LOCKWASHER	J10	17000	6	42	HEX NUT	D06	17000	4
7	DIFFUSER	38632-064	24010	1	43	TERM HSG/CABLE ASSY	47367-075	---	1
8 *	DIFFUSER O-RING	25152-366	---	1	44	460V STATOR ASSY	47113-050	---	1
9 *	IMPELLER	38618-706	1102H	1		575V STATOR ASSY	47113-051	---	1
10	HEX NUT	D10S	17000	1	45	ROTOR & SHAFT ASSY	47112-031	---	1
11	SEAL PLATE	38272-420	24010	1	46	LOWER BALL BEARING	23425-458	---	1
12	SOC HD PIPE PLUG	PC24	17000	1	47	LOWER MOTOR HSG	38311-311	13000	1
13	SOC HD PIPE PLUG	PC06	17000	1	48	HEX HD CAPSCREW	B0604	15991	4
14 *	BEARING CAP O-RING	25152-013	---	4	49	LOCKWASHER	J06	15991	4
15	HEX HD CAPSCREW	B0808	17000	6	50 *	SEAL PLATE O-RING	S1748	---	1
16	LOCKWASHER	J08	17000	6	51 *	PUMP CASING O-RING	25152-281	---	1
17 *	LOWER MTR HSG O-RING	S1865	---	1	52 *	IMPELLER WASHER	31131-074	17000	1
18	BEARING CAP	38322-217	13000	1	53	STRAINER SUPPORT	31413-075	15079	6
19	STATOR KEY	N0612	17000	1	54	STRAINER	46611-011	2415V	1
20	PUMP CASING	38311-808	13000	1	55	STUD	C0822	15991	6
21	UPPER MOTOR HOUSING	38311-310	13000	1	56	LOCKWASHER	J08	15991	6
22	UPPER BALL BEARING	23257-013	---	1	57	HEX NUT	D08	15991	6
23 *	PUMP CASING O-RING	25152-281	---	1	58	BASE PLATE	38352-317	13080	1
24 *	IMPELLER SHIM SET	2X	17090	1	59 *	IMPELLER KEY	N0404	17000	1
25 *	LOWER SEAL ASSY	46512-076	---	1	60	DRIVE SCREW	BM#04-03	17000	4
26	SNAP RING	S700	---	1	61	MSHA APPROVAL PLATE	2613ES	17020	1
27 *	UPPER SEAL ASSY	25271-886	15071	1	NOT SHOWN:				
28	SPRING HOLDER	25273-265	---	1		VOLTAGE TAG			
29	HEX HD CAPSCREW	B1208	15991	2		-460V	6588BL	---	1
30	LOCKWASHER	J12	15991	2		-575V	6588BM	---	1
31	FLAT WASHER	K12	15991	2		CONTROL BOX			
32	BUSHING	10045	15071	2		-460V	47631-154	---	1
33	HOISTING BAIL ASSY	44713-028	2415V	1		-575V	47631-155	---	1
34	DISCH FLANGE GASKET	38687-049	20000	1		INSTRUCTION TAG	38817-073	---	1
35	DISCHARGE FLANGE	38641-303	10010	1		IMPELLER PULLER	48711-018	---	1
36	STUD	C0809	15991	6					

\* INDICATES PARTS RECOMMENDED FOR STOCK

**THE GORMAN-RUPP COMPANY • MANSFIELD, OHIO**

GORMAN-RUPP OF CANADA LIMITED • ST. THOMAS, ONTARIO, CANADA Printed in U.S.A.



**THE GORMAN-RUPP COMPANY • MANSFIELD, OHIO**

GORMAN-RUPP OF CANADA LIMITED • ST. THOMAS, ONTARIO, CANADA Printed in U.S.A.

S/N 1241784 Up  
PUMP ISSUE 2

ITEM NO.	PART NAME	PART NUMBER	MAT'L CODE	QTY
1	TERMINAL GLAND	11367	13040	1
2	* CABLE ASSY - 50 FT.	47325-010	---	1
3	HOSECLAMP	26518-666	---	1
4	* CABLE GRIP	11227L	---	1
5	STUD	C0808	17000	2
6	HEX NUT	D08	17000	2
7	LOCKWASHER	J08	17000	2
8	GLAND BUSHING	10758K	19410	1
9	TERMINAL WASHER	10659	15991	1
10	TERMINAL HOUSING	38381-226	13000	1
11	TERMINAL	27214-035	---	1
12	HEAT SHRINK TUBE	31412-056	19530	2
13	ALLEN HEAD SETSCREW	GA#10-01S	15991	2
14	TERMINAL COLLAR	31811-057	14100	2
15	* DYNA SEAL WASHER	S1590	---	2
16	* DYNA SEAL WASHER	S1590	---	2
17	TERMINAL POST	11181	14100	2
18	ALLEN HEAD SETSCREW	GA#10-01S	15991	2
19	TERMINAL POST	38724-009	14100	3
20	ALLEN HEAD SETSCREW	GA0501 1/2	14990	3
21	* DYNA SEAL WASHER	S1586	---	3
22	* DYNA SEAL WASHER	S1586	---	3
23	* TERMINAL PLATE GASKET	38687-529	20000	1
24	* TERMINAL PLATE	38711-001	23010	1
25	* TERMINAL PLATE GASKET	38687-529	20000	1
26	TERMINAL COLLAR	10144	14100	3
27	ALLEN HEAD SETSCREW	GA0501 1/2	14990	3
28	* O-RING	25154-155	---	1
29	HEAT SHRINK TUBE	31413-014	19530	3
30	TERMINAL	S1550	---	1
31	ROUND HEAD MACHINE SCREW	X0603	14990	2
32	T TYPE LOCKWASHER	AK06	15991	2
33	DRIVE SCREW	BM#04-03	17000	4
34	CERTIFICATION PLATE	2613GX	17020	1

## NOT SHOWN:

RTV SEALANT	18771-106	---	2
-------------	-----------	-----	---

\* INDICATES PARTS RECOMMENDED FOR STOCK

**THE GORMAN-RUPP COMPANY • MANSFIELD, OHIO**

GORMAN-RUPP OF CANADA LIMITED • ST. THOMAS, ONTARIO, CANADA Printed in U.S.A.





**For U.S. and International Warranty Information,  
Please Visit [www.grpumps.com/warranty](http://www.grpumps.com/warranty)**

**or call:**

**U.S.: 419-755-1280**

**International: +1-419-755-1352**

**For Canadian Warranty Information,  
Please Visit [www.grcanada.com/warranty](http://www.grcanada.com/warranty)**

**or call:**

**519-631-2870**

**THE GORMAN-RUPP COMPANY • MANSFIELD, OHIO**

**GORMAN-RUPP OF CANADA LIMITED • ST. THOMAS, ONTARIO, CANADA**