

CS

Use With: OM-04417
MR-05365

PUBLICATION NUMBER PL-04454-03
June 9, 2003
Rev. A - 7/11/19



PUMP MODEL
SM4J1-X60 460/575/3

MANUAL
PART 2 of 3

PARTS
LIST
WITH
PERFORMANCE CURVE

GORMAN-RUPP PUMPS

www.grpumps.com

©2003 Gorman-Rupp Pumps

Printed in U.S.A.

PERFORMANCE CURVE – SECTION A

RECORDING MODEL AND SERIAL NUMBERS

Please record the pump model and serial number in the spaces provided below and in the separate Installation/Operation Manual accompanying your pump. Your Gorman-Rupp distributor needs this information when you require parts or service.

Pump Model: _____

Serial Number: _____

WARRANTY INFORMATION

The pump warranty is provided as part of Gorman-Rupp's support program for customers who operate and maintain their equipment as described in this manual and other accompanying literature. Please note that should the equipment be abused or modified to change its performance beyond the original factory specifications, the warranty will become void and any claim will be denied.

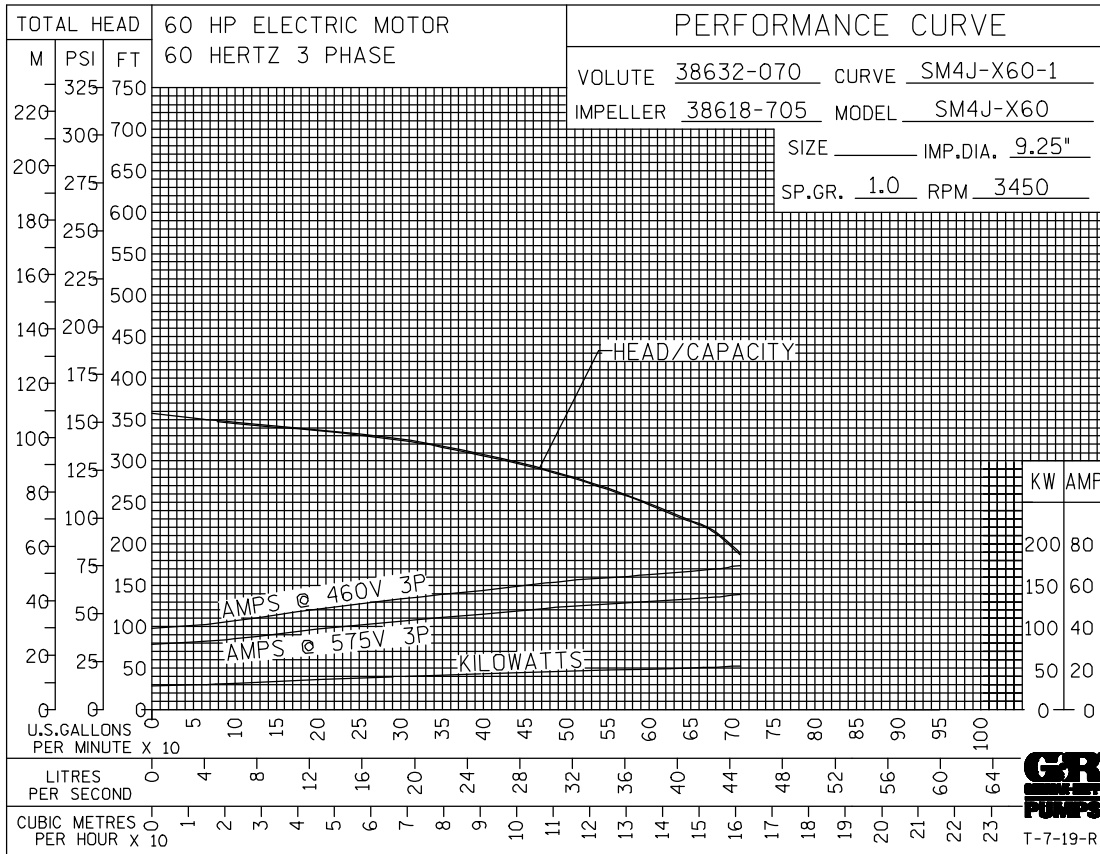
PERFORMANCE CURVES

The performance curve on this page is based on 70° F (21° C) clear water at sea level. Since pump installations are seldom identical, your performance may be different due to such factors as viscosity, specific gravity, elevation, temperature, and impeller trim.

If your pump serial number is followed by an "N", your pump is **NOT** a standard production model. Contact the Gorman-Rupp Company to verify performance or part numbers.



Pump speed and operating condition points must be within the continuous performance range shown on the curve(s).



Performance Curve – Model SM4J1 – X60 460/575/3

SM4J1—X60 460/575/3

C

S/N 1267109 Up
PUMP ISSUE 3

If your pump serial number is followed by an "N", your pump is **NOT** a standard production model. Contact the Gorman-Rupp Company to verify part numbers.

ITEM NO.	PART NAME	PART NUMBER	QTY	ITEM NO.	PART NAME	PART NUMBER	QTY	
1	SUCTION HEAD	38246-040 24010	1	40	LOCKWASHER	J06 17000	4	
2	THREADED ROD	31345-087 17000	6	41	HEX NUT	D06 17000	4	
3	HEX NUT	D08 17000	12	42	TERM HSG/CABLE ASSY	47367-076	1	
4	LOCKWASHER	J08 17000	6	43	STATOR			
5	HEX HD CAPSCREW	B1016 17000	6		-460V	47113-047	1	
6	LOCKWASHER	25123-013	6		-575V	47113-048	1	
7	DIFFUSER	38632-070 24010	1	44	ROTOR & SHAFT ASSY	47112-047	1	
8 *	SUCTION HEAD O-RING	25152-372	1	45 *	LWR BALL BEARING	23425-462	1	
9 *	IMPELLER	38618-705	1	46	LWR MOTOR HOUSING	38311-313 13000	1	
10 *	SEAL PLATE O-RING	S1990	1	47 *	BEARING CAP O-RING	25152-013	4	
11	SOCKET PIPE PLUG	PC24 17000	1	48	HEX HD CAPSCREW	B0605 15991	4	
12	SEAL CAVITY FILL PLUG	PC06 17000	1	49	LOCKWASHER	J06 15991	4	
13 *	IMPELLER NUT	AT14S 17000	1	50	SEAL PLATE	38272-532 24010	1	
14 *	IMPELLER ADJ SHIM SET	37J 17090	1	51 *	MTR HOUSING O-RING	25152-282	1	
15 *	SEAL ASSEMBLY	46512-056	1	52 *	IMPELLER WASHER	31131-026 17000	1	
16	RETAINING RING	S245	1	53	STRAINER SUPPORT	31412-034 15079	6	
17 *	SPRING HOLDER	25273-273	1	54	STRAINER ASSEMBLY	46611-008	1	
18 *	SEAL ASSEMBLY	25271-903	1	55	STUD	C0834 15991	6	
19	HEX HD CAPSCREW	B1008 17000	6	56	LOCKWASHER	J08 15991	6	
20	LOCKWASHER	J10 17000	6	57	HEX NUT	D08 15991	6	
21	BEARING CAP	38322-422 13000	1	58	BASE PLATE	38352-306 13080	1	
22 *	LWR MTR HSG O-RING	S1676	1	59 *	IMPELLER KEY	N0405 17000	1	
23 *	STATOR KEY	N0812 17000	1	60	DRIVE SCREW	BM#04-03 17000	12	
24	MOTOR HOUSING	38311-809 13000	1	61	MSHA APPROV PLATE	2613ES 17020	2	
25	UPPER MOTOR HOUSING	38311-312 13000	1	62	PENN DEP APPL PLT	2613FL 17020	1	
26 *	UPPER BALL BEARING	23282-010	1	NOT SHOWN:				
27 *	MTR HOUSING O-RING	25152-282	1	CONTROL BOX:				
28	HEX HD CAPSCREW	B1208 15991	2	-460V			47631-156	1
29	LOCKWASHER	J12 15991	2	-575V			47631-157	1
30	FLAT WASHER	K12 15991	2	INSTRUCTION TAG			38817-073	1
31	BAIL BUSHING	10045 15071	2	IMPELLER PULLER			48711-018	1
32	HOIST BAIL	44713-026	1	HEAT SHRINK TUBE			18763-249	.42'
33 *	DISCH FLANGE GASKET	38687-049 20000	1	MOTOR VOLTAGE TAG:				
34	DISCHARGE FLANGE	38641-303 10010	1	-460V			6588BL	1
35	STUD	C0809 15991	6	-575V			6588BM	1
36	HEX NUT	D08 15991	6	G-R DECAL			GR-03	1
37	NAME PLATE	2613GH 17020	1	OPTIONAL:				
38	DRIVE SCREW	BM#04-03 17000	2	ADI KIT:				
39	STUD	C0607 17000	4	HEX HD CAPSCREW			B1017 17000	6
				SEAL PLATE			38272-525	1
				DIFFUSER			38632-051	1

* INDICATES PARTS RECOMMENDED FOR STOCK

GORMAN-RUPP PUMPS

June 9, 2003

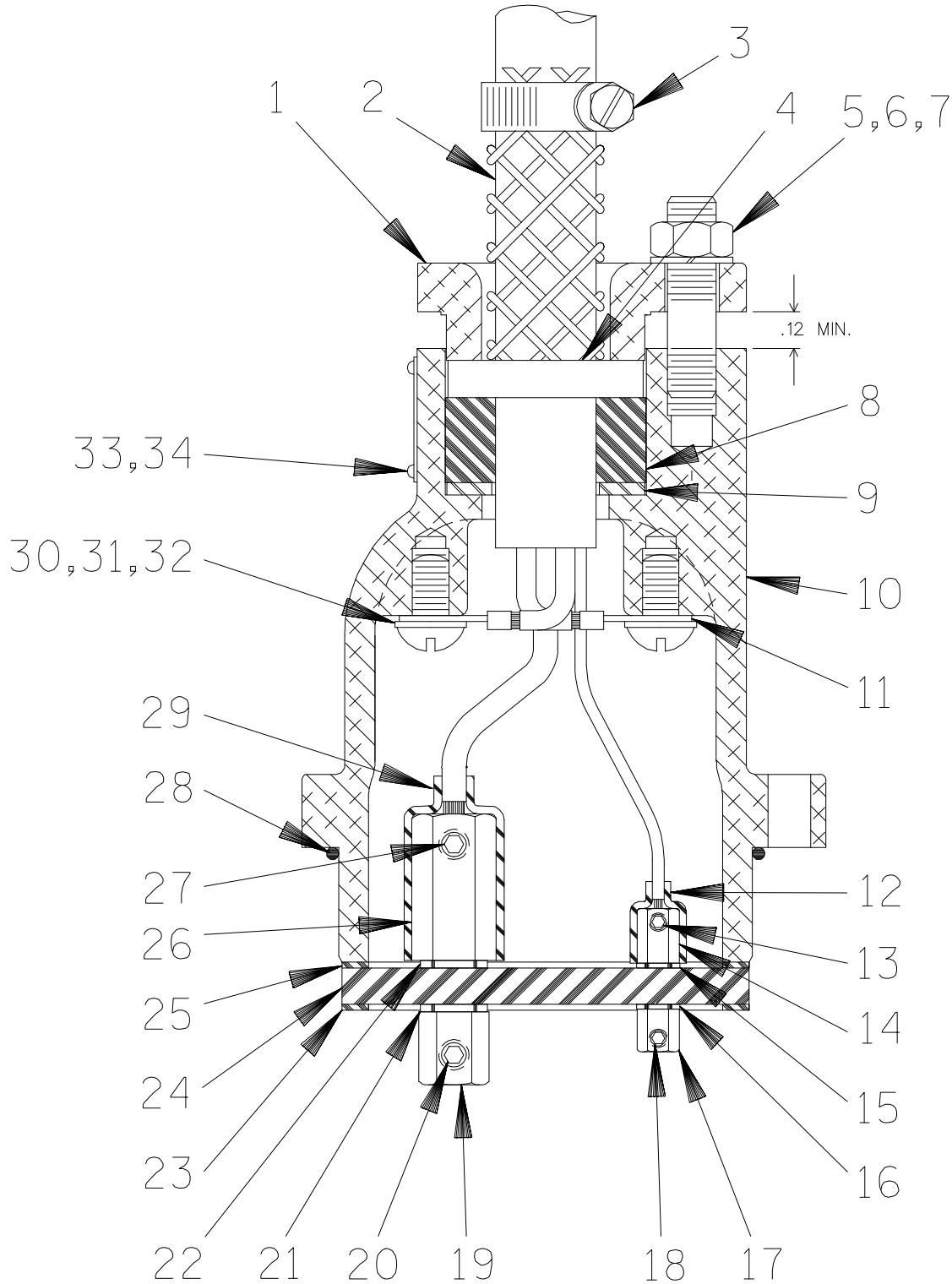
www.grpumps.com

2 of 4

Page 154.4 J1

©2003 Gorman-Rupp Pumps

Printed in U.S.A.



GORMAN-RUPP PUMPS

S/N 1267109 Up
PUMP ISSUE 3

47367—076 Terminal Housing And Cable Assembly

ITEM NO.	PART NAME	PART NUMBER	QTY
1	TERMINAL GLAND	38381—614 13040	1
2	* CABLE ASSY - 50 FT.	47325—012	1
3	HOSECLAMP	26518—667	1
4	* CABLE GRIP	11227K	1
5	STUD	C0808 17000	2
6	HEX NUT	D08 17000	2
7	LOCKWASHER	J08 17000	2
8	GLAND BUSHING	31143—067 19410	1
9	TERMINAL WASHER	31133—122 15991	1
10	TERMINAL HOUSING	38381—226 13000	1
11	TERMINAL	27214—035	1
12	HEAT SHRINK TUBE	31412—056 19530	2
13	ALLEN HEAD SETSCREW	GA#10—01S 15991	2
14	TERMINAL COLLAR	31811—057 14100	2
15	* DYNA SEAL WASHER	S1590	2
16	* DYNA SEAL WASHER	S1590	2
17	TERMINAL POST	11181 14100	2
18	ALLEN HEAD SETSCREW	GA#10—01S 15991	2
19	TERMINAL POST	38724—009 14100	3
20	ALLEN HEAD SETSCREW	GA0501 1/2 14990	3
21	* DYNA SEAL WASHER	S1586	3
22	* DYNA SEAL WASHER	S1586	3
23	* TERMINAL PLATE GASKET	38687—529 20000	1
24	* TERMINAL PLATE	38711—001 23010	1
25	* TERMINAL PLATE GASKET	38687—529 20000	1
26	TERMINAL COLLAR	10144 14100	3
27	ALLEN HEAD SETSCREW	GA0501 1/2 14990	3
28	* O-RING	25154-155	1
29	HEAT SHRINK TUBE	31413—014 19530	3
30	TERMINAL	S1550	1
31	ROUND HEAD MACHINE SCREW	X0603 14990	2
32	T TYPE LOCKWASHER	AK06 15991	2
33	DRIVE SCREW	BM#04—03 17000	4
34	CERTIFICATION PLATE	2613GX 17020	1
NOT SHOWN:			
	RTV SEALANT	18771—106	1 OZ

* INDICATES PARTS RECOMMENDED FOR STOCK

**For Warranty Information, Please Visit
www.grpumps.com/warranty
or call:
U.S.: 419-755-1280
Canada: 519-631-2870
International: +1-419-755-1352**

GORMAN-RUPP PUMPS