



PRIME-AIRE[™] **SERIES**
PUMP MODEL
PA6A60-F4L

MANUAL
PART 2 of 3

PARTS
LIST
WITH
PERFORMANCE CURVE

THE GORMAN-RUPP COMPANY • MANSFIELD, OHIO

GORMAN-RUPP OF CANADA LIMITED • ST. THOMAS, ONTARIO, CANADA Printed in U.S.A.

©Copyright by the Gorman-Rupp Company



The engine exhaust from this product contains chemicals known to the State of California to cause cancer, birth defects or other reproductive harm.

PERFORMANCE CURVE – SECTION A

RECORDING MODEL AND SERIAL NUMBERS

Please record the pump model and serial number in the spaces provided below and in the separate Installation/Operation Manual accompanying your pump. Your Gorman-Rupp distributor needs this information when you require parts or service.

Pump Model: _____

Serial Number: _____

WARRANTY INFORMATION

The pump warranty is provided as part of Gorman-Rupp's support program for customers who operate and maintain their equipment as described in this manual and other accompanying literature. Please note that should the equipment be abused or modified to change its performance beyond the original factory specifications, the warranty will become void and any claim will be denied.

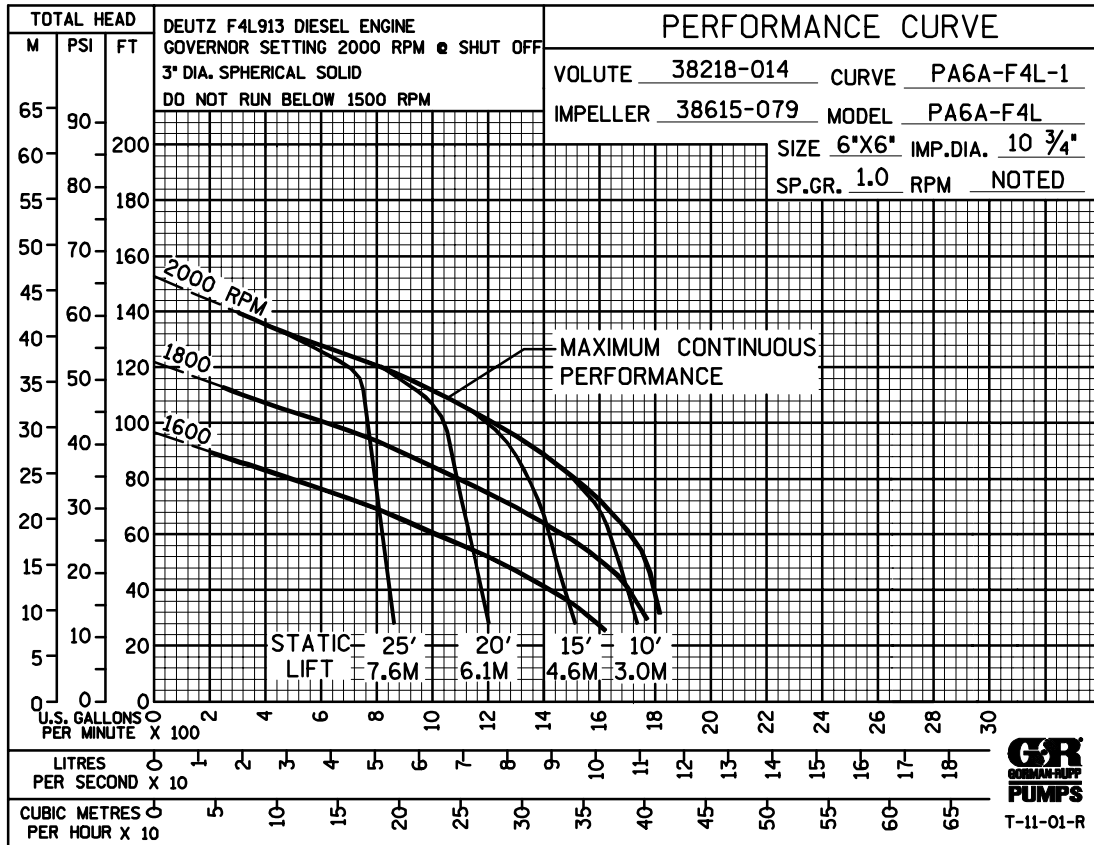
PERFORMANCE CURVE

The performance curve on the following page is based on 70° F (21° C) clear water at sea level, corrected to 0.80 specific gravity, with minimum suction lift. Since pump installations are seldom identical, your performance may be different due to such factors as viscosity, specific gravity, elevation, temperature, and impeller trim.

If your pump serial number is followed by an "N", your pump is **NOT** a standard production model. Contact the Gorman-Rupp Company to verify performance or part numbers.

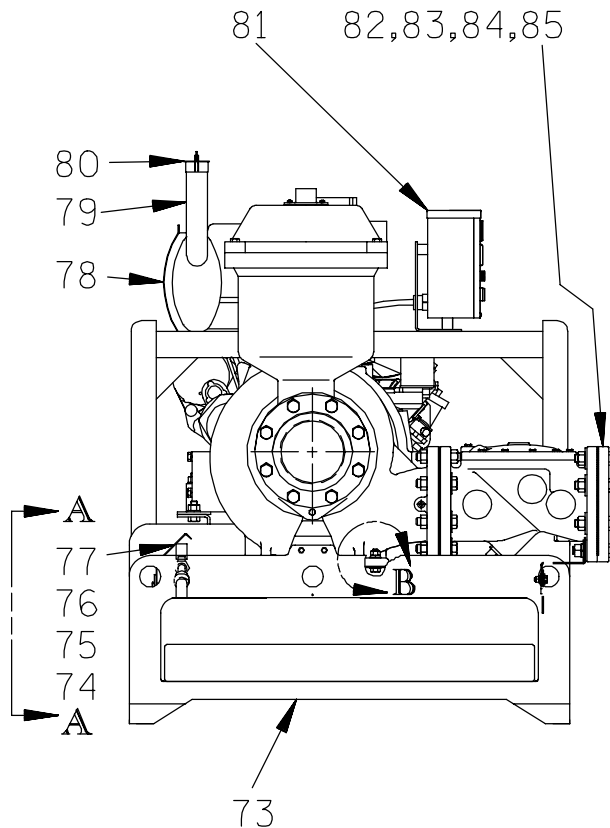
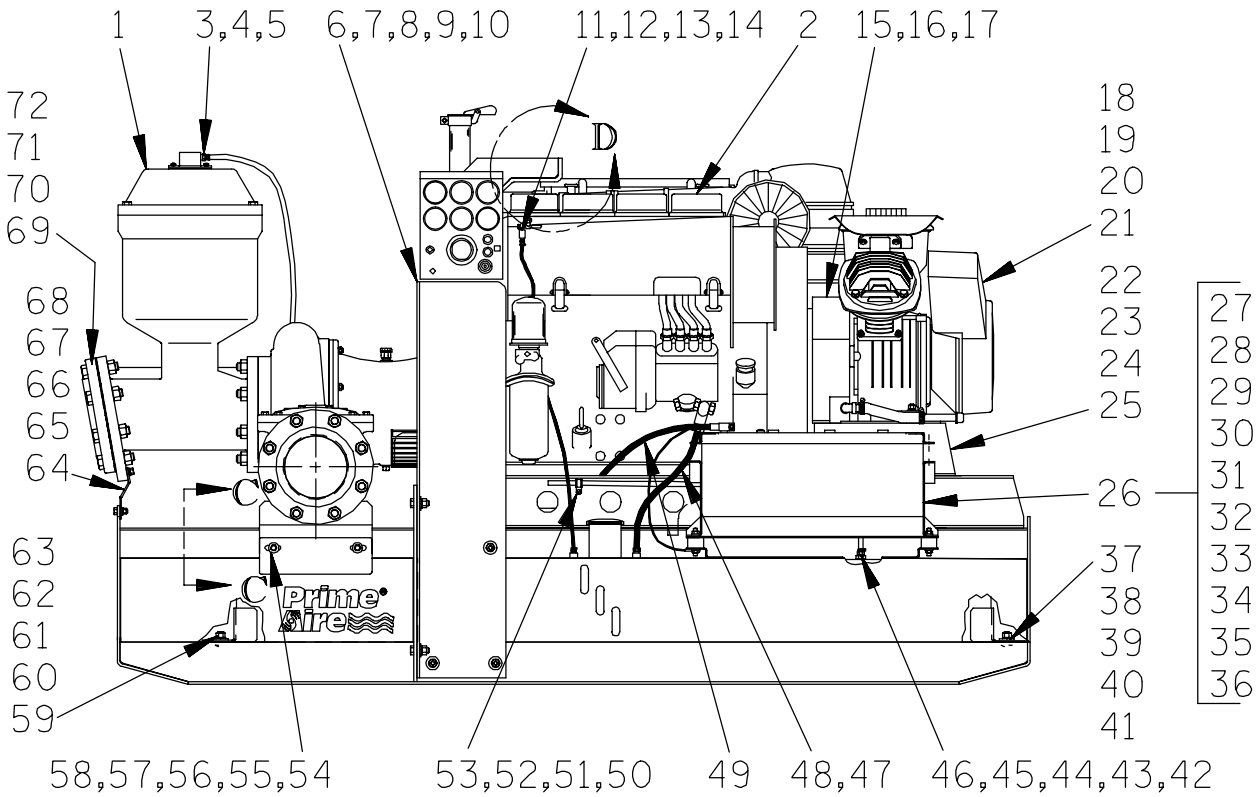


Pump speed and operating condition points must be within the continuous performance range shown on the curve.



Performance Curve – Model PA6A60-F4L

This Page Intentionally Blank



S/N 1132322 Up
PUMP ISSUE 3

PARTS LIST
Pump Model PA6A60—F4L

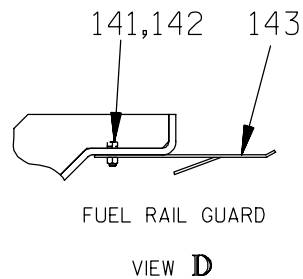
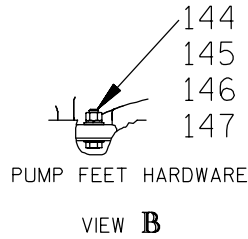
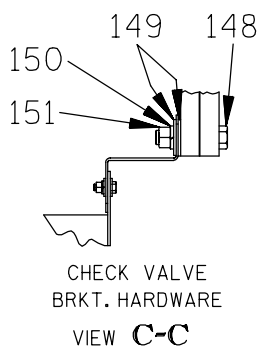
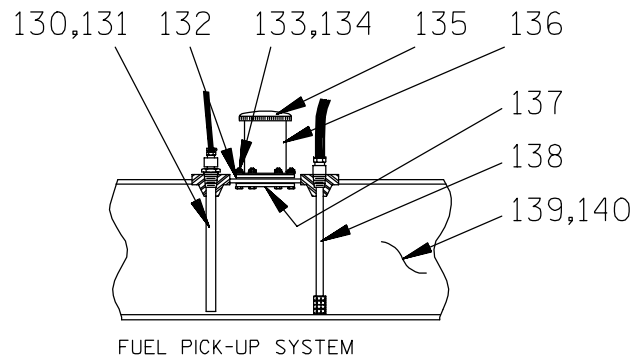
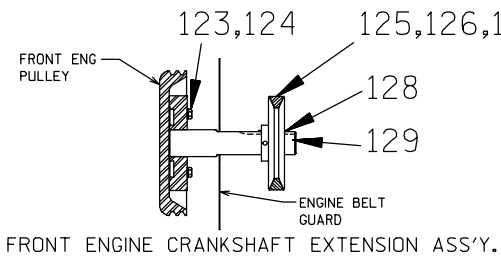
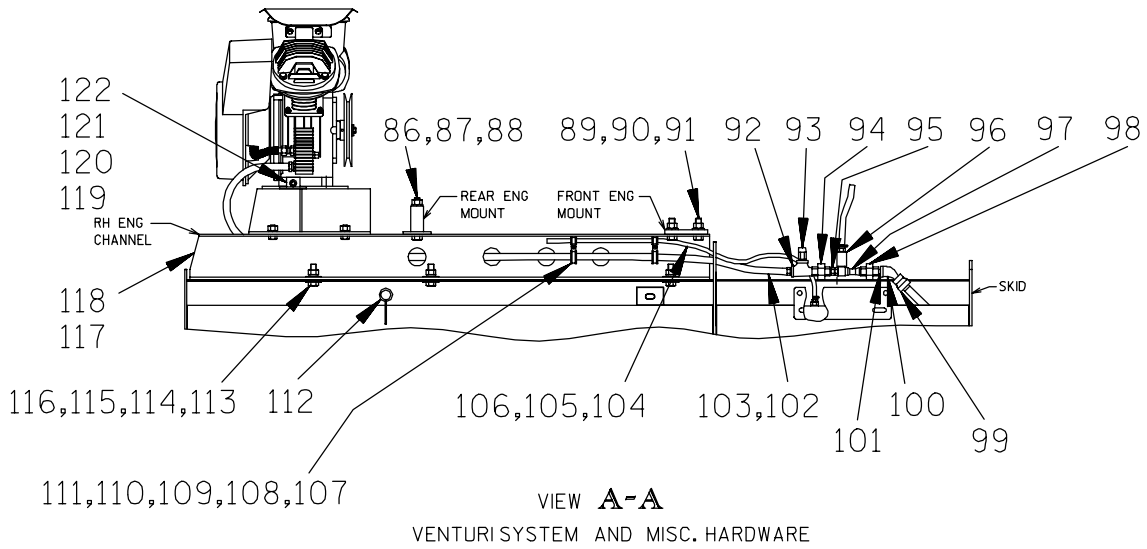
If your pump serial number is followed by an "N", your pump is **NOT** a standard production model. Contact the Gorman-Rupp Company to verify part numbers.

ITEM NO.	PART NAME	PART NUMBER	MAT'L CODE	QTY	ITEM NO.	PART NAME	PART NUMBER	MAT'L CODE	QTY
1	PUMP ASSEMBLY	PA6A60—(SAE 4/10)		1	44	1' PLASTIC TUBING	18523—366	---	1
2	DEUTZ F4L ENGINE	29217-043	---	1	45	PIPE ELBOW	R04	11999	1
3	REDUCER BUSHING	AP1608	11999	1	46	PIPE NIPPLE	T0406	15079	1
4	MALE CONNECTOR	26525—020	---	2	47	MALE CONNECTOR	S1447	---	1
5	1/2" BRAIDED HOSE (3.25')	18513—113	---	1	48	HOSE ASSY	46341—812	---	1
6	LIFTING BAIL	44711—019	24150	1	49	POS CABLE ASSY	47311—118	---	1
7	HEX HD CAPSCREW	B0805	15991	10	50	CABLE CLAMP	27111—339	---	1
8	HEX NUT	D08	15991	8	51	CAPSCREW	B#10—03	15991	1
9	LOCKWASHER	J08	15991	10	52	HEX NUT	D#10	15991	1
10	FLAT WASHER	K08	15991	12	53	LOCKWASHER	J#10	15991	1
11	HOSE	11308A	---	1	54	CHECK VLV BRKT	34518—017	15120	1
12	HOSE CLAMP	26518—641	---	2	55	HEX HD CAPSCREW	B0604	15991	2
13	BARB HOSE FITTING	26523—443	---	1	56	HEX NUT	D06	15991	2
14	BARB HOSE FITTING	26523—386	---	1	57	LOCKWASHER	J06	15991	2
15	A/C BELT GUARD ASSY	42353—020	---	1	58	FLAT WASHER	K06	15991	4
16	HEX HD CAPSCREW	B0604	15991	2	59	FUEL TANK BRKT	34412—024	15120	1
17	LOCKWASHER	J06	15991	2	60	CARRIAGE BOLT	AB0805	15991	2
18	A/C COMPRESSOR ASSY	46181—902	---	1	61	HEX NUT	D08	15991	2
19	HEX HD CAPSCREW	B0604	15991	4	62	LOCKWASHER	J08	15991	2
20	LOCKWASHER	J06	15991	4	63	FLAT WASHER	K08	15991	2
21	FLAT WASHER	K06	15991	4	64	PRIM CHAMBER BRKT	34535—010	15120	1
22	A/C MTG BRKT ASSY	41881—558	---	1	65	HEX HD CAPSCREW	B0604	15991	3
23	HEX HD CAPSCREW	B0805	15991	4	66	HEX NUT	D06	15991	2
24	HEX NUT	D08	15991	4	67	LOCKWASHER	J06	15991	3
25	LOCKWASHER	J08	15991	4	68	FLAT WASHER	K06	15991	3
26	BATTERY BOX ASSY	GRP40—08C	---	1	69	SUCTION FLANGE	1758	10010	1
27	—HEX HD CAPSCREW	B0607	15991	2	70	SUCT FLANGE GSKT	1679G	18000	1
28	—FLAT WASHER	K06	15991	2	71	HEX HD CAPSCREW	B1212	15991	8
29	—FLANGED HEX NUT	21765—314	---	2	72	HEX NUT	D12	15991	8
30	—GRND CABLE ASSY	47311—064	---	1	73	SKID ASSY	41565—570	24150	1
31	—BATTERY BOX LID	42113—012	24150	1	74	VENTURI GUARD ASSY	42381—067	---	1
32	—12V BATTERY	SEE OPTIONS LIST			75	HEX HD CAPSCREW	B0504	15991	2
33	—BATTERY TAG	38818—506	---	1	76	LOCKWASHER	J05	15991	2
34	—BATTERY BOX	42431—030	24150	1	77	FLAT WASHER	K05	15991	2
35	—STUD MOUNT	24631—006	---	4	78	MUFFLER GRD ASSY	42331—031	---	1
36	—FLANGED HEX NUT	21765—314	---	8	79	EXHAUST ELBOW	31912—023	15990	1
37	A/C FUEL TANK RETAINER	34412—024	15120	1	80	RAIN CAP	S1331	---	1
38	CARRIAGE BOLT	AB0805	15991	2	81	CONTROL PANEL	29277—012	---	1
39	HEX NUT	D08	15991	2	82	DISCHARGE FLANGE	1758	10010	1
40	LOCKWASHER	J08	15991	2	83	DISCH FLANGE GSKT	1679G	18000	1
41	FLAT WASHER	K08	15991	2	84	HEX HD CAPSCREW	B1213	15991	6
42	BARB ELBOW	26523—386	---	1	85	HEX NUT	D12	15991	6
43	HOSE CLAMP	26518—641	---	1					

* INDICATES PARTS RECOMMENDED FOR STOCK
Above Serial Numbers Do Not Apply To Pumps Made In Canada.

CANADIAN SERIAL NO. AND UP

THE GORMAN-RUPP COMPANY • MANSFIELD, OHIO



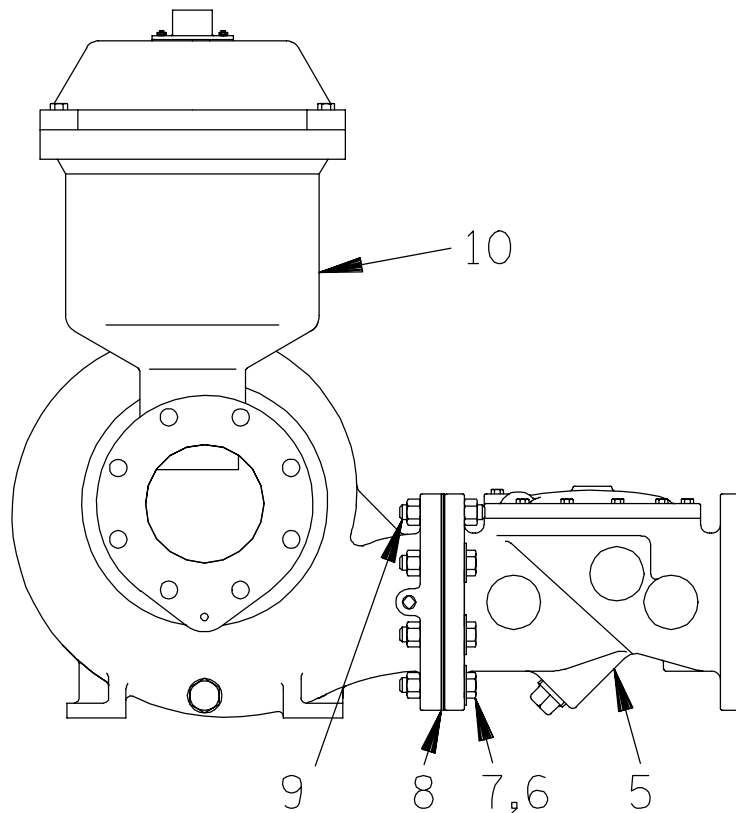
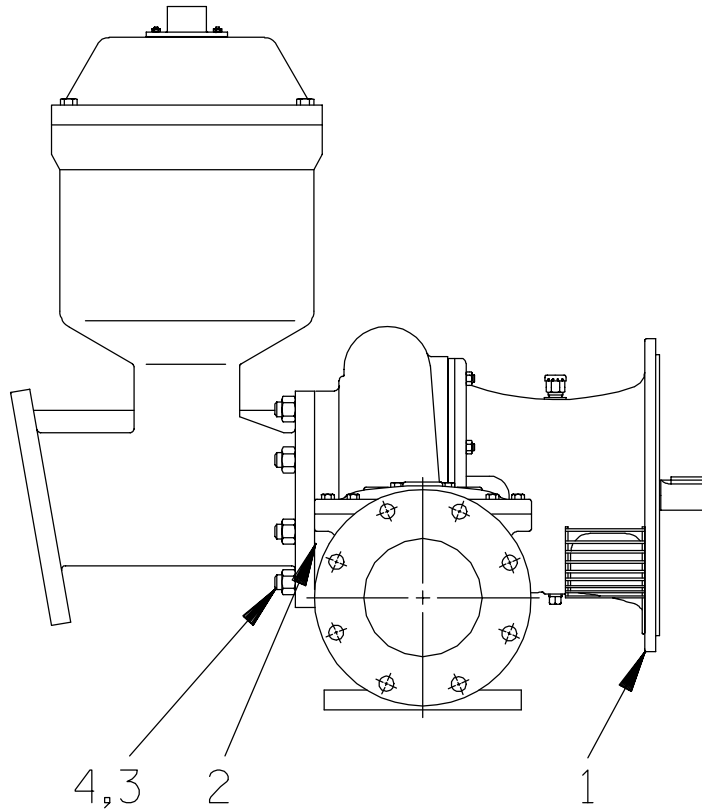
S/N 1132322 Up
PUMP ISSUE 3

PARTS LIST
Pump Model PA6A60—F4L

ITEM NO.	PART NAME	PART NUMBER	MAT'L CODE	QTY	ITEM NO.	PART NAME	PART NUMBER	MAT'L CODE	QTY
86	HEX HD CAPSCREW	B1017	15991	2	129	STUB SHAFT ASSY	44111-017	----	1
87	HEX NUT	D10	15991	2	130	FUEL RETURN ASSY	46331-015	24150	1
88	LOCKWASHER	J10	15991	2	131	PIPE COUPLING	AE04	15079	1
89	HEX HD CAPSCREW	B1008	15991	4	132	FILLER NECK GSKT	29332-161	----	1
90	HEX NUT	D10	15991	4	133	NYLOCK LOCKNUT	BC#10	15991	6
91	LOCKWASHER	J10	15991	4	134	SEALING WASHER	25123-056	000	6
92	SERVICE TEE	US08	11999	1	135	FILL CAP	29332-108	----	1
93	RELIEF VALVE	26662-028	----	1	136	FILLER NECK	29332-152	----	1
94	PIPE UNION	AH08	11999	1	137	BACK-UP RING	46523-003	24170	1
95	REDUCER BUSHING	AP0806	15079	1	138	FUEL PICK-UP	29332-143	----	1
96	PIPE COUPLING	AE08	15079	1	139	FUEL TANK ASSY	46711-074	----	1
97	VENTURI	26817-002	----	1	140	PIPE PLUG	P06	19220	1
98	PIPE UNION	AH08	11999	1	141	HEX HD CAPSCREW	B0604	15991	1
99	RED PIPE BUSHING	AE1208	15079	1	142	LOCK WASHER	J06	15991	1
100	45° STREET ELBOW	AGS08	11999	1	143	FUEL RAIL GUARD	42381-074	24150	1
101	PIPE NIPPLE	T08	15079	1	144	HEX HD CAPSCREW	B0808	15991	2
102	6.5' HOSE	18513-304	----	1	145	FLAT WASHER	K08	15991	4
103	HOSE BARB FITTING	26525-021	----	2	146	LOCK WASHER	J08	15991	2
104	MALE CONNECTOR	26523-386	----	1	147	HEX NUT	D08	15991	2
105	HOSE CLAMP	26518-641	----	1	148	HEX HD CAPSCREW	B1214	15991	2
106	2 1/2' PLASTIC TUBING	18523-366	----	1	149	FLAT WASHER	K12	15991	4
107	HEX HD CAPSCREW	B#10-03	15991	2	150	LOCK WASHER	J12	15991	2
108	HEX NUT	D#10	15991	2	151	HEX NUT	D12	15991	2
109	LOCKWASHER	J#10	15991	2					
110	CUSHION CABLE CLAMP	27111-346	----	2		NOT SHOWN:			
111	CUSHION CABLE CLAMP	27111-339	----	2		INSTRUCTION DECAL	38818-128	----	1
112	OIL DRAIN ASSY	46342-007	----	1		WARNING DECAL	38816-063	----	2
113	HEX HD CAPSCREW	B1007	15991	6		LUBE DECAL	38816-079	----	1
114	HEX NUT	D10	15991	6		WARNING DECAL	38816-096	----	1
115	LOCKWASHER	J10	15991	6		SUCTION STICKER	6588AG	----	1
116	FLAT WASHER	K10	15991	12		DISCHARGE STICKER	6588BJ	----	1
117	ENG SUPP CH - LH	34451-077	15080	1		RPM DECAL	38816-240	----	1
118	ENG SUPP CH - RH	34451-076	15080	1		LIFT DECAL	38816-175	----	1
119	MOTOR TENSIONER	41327-031	24150	1		LIFT DECAL	38816-218	----	2
120	HEX NUT	D08	15991	1		PA DECAL	38812-078	----	2
121	LOCKWASHER	J08	15991	1		INSTRUCTION DECAL	38816-194	----	1
122	FLAT WASHER	K08	15991	1		V-BELT TENSION DECAL	38816-049	----	1
123	HEX HD CAPSCREW	22645-136	----	4		WARNING DECAL	2613FE	----	1
124	LOCKWASHER	21171-510	----	4		ROTATION STICKER	2613M	----	1
125	ENGINE PULLEY	24214-002	----	1		STRAINER	7823A	24000	1
126	O.D. BUSHING	24131-553	----	1					
127	V-BELT	24166-011	----	1		OPTIONAL:			
128	KEY	N0405	15990	1		12V BATTERY	29331-506	----	1

* INDICATES PARTS RECOMMENDED FOR STOCK

THE GORMAN-RUPP COMPANY • MANSFIELD, OHIO

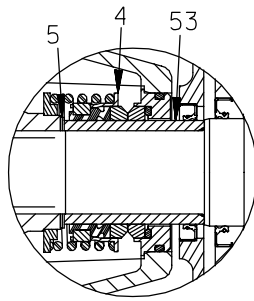


S/N 1132322 Up
PUMP ISSUE 3

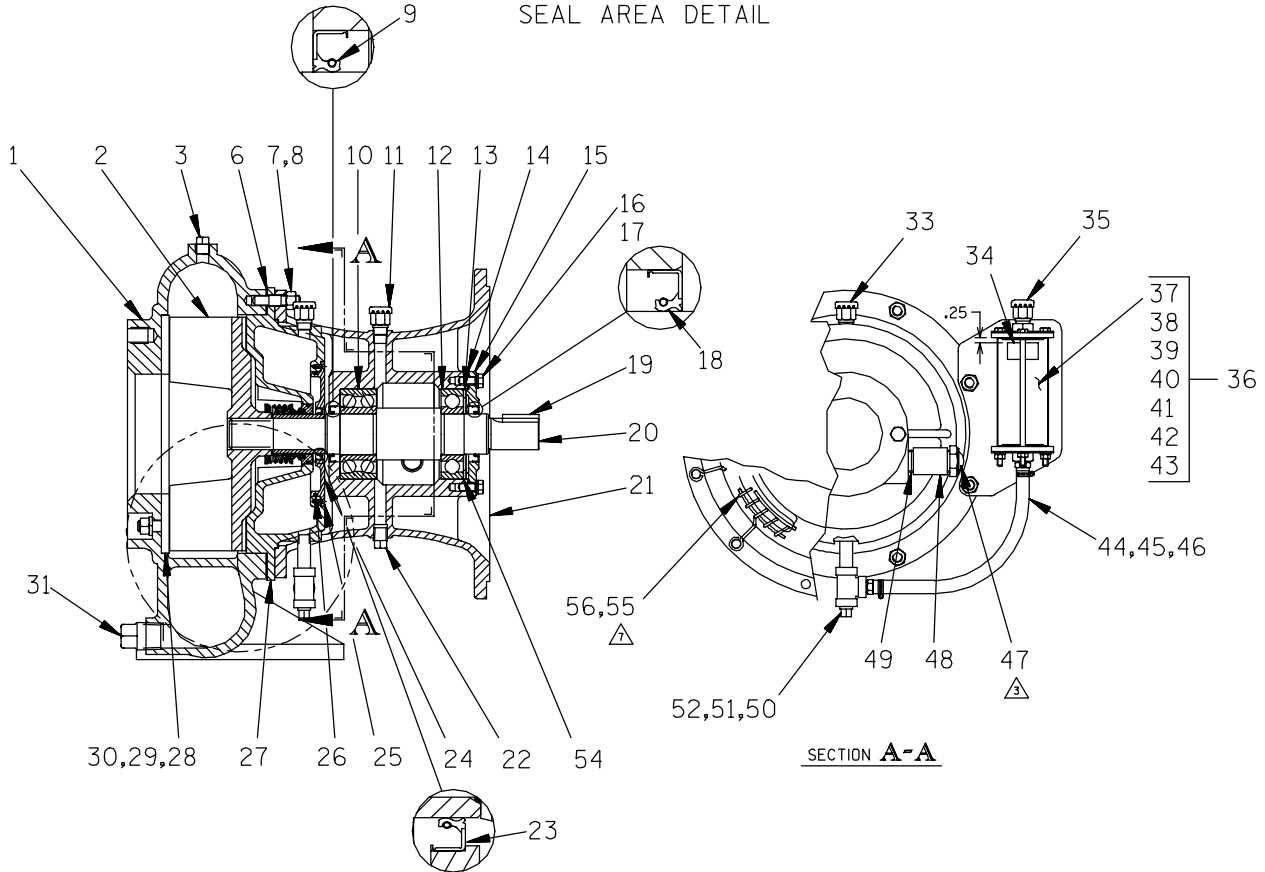
PARTS LIST
PA6A60—F4L Pump Assembly

ITEM NO.	PART NAME	PART NUMBER	MAT'L CODE	QTY
1	PUMP END ASSY	66E60—(SAE4/10)	---	1
2	* PUMP CASING GSKT	1679G	18000	1
3	STUD	C1211	15991	8
4	HEX NUT	D12	15991	8
5	CHECK VALVE ASSY	26642—126	---	1
	—FLAPPER	26688—001	---	1
	—COVER GASKET	26688—002	---	1
6	HEX HD CAPSCREW	B1214	15991	7
7	HEX NUT	D12	15991	9
8	* CHECK VALVE GSKT	25113—036	---	1
9	STUD	C1215	15991	1
10	PRIMING CHAMBER ASSY	46112—703	---	1

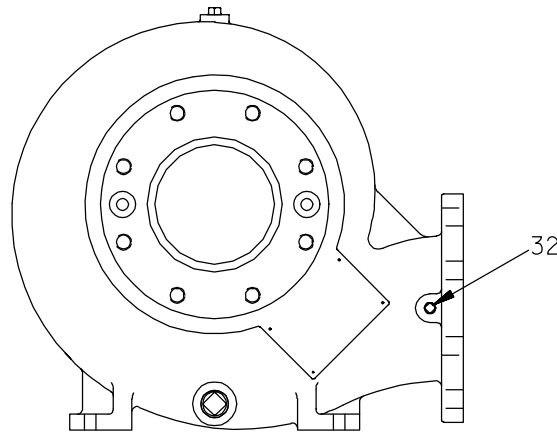
* INDICATES PARTS RECOMMENDED FOR STOCK



SEAL AREA DETAIL



SECTION A-A



PUMP CASING FRONT VIEW

THE GORMAN-RUPP COMPANY • MANSFIELD, OHIO

GORMAN-RUPP OF CANADA LIMITED • ST. THOMAS, ONTARIO, CANADA

Printed in U.S.A.

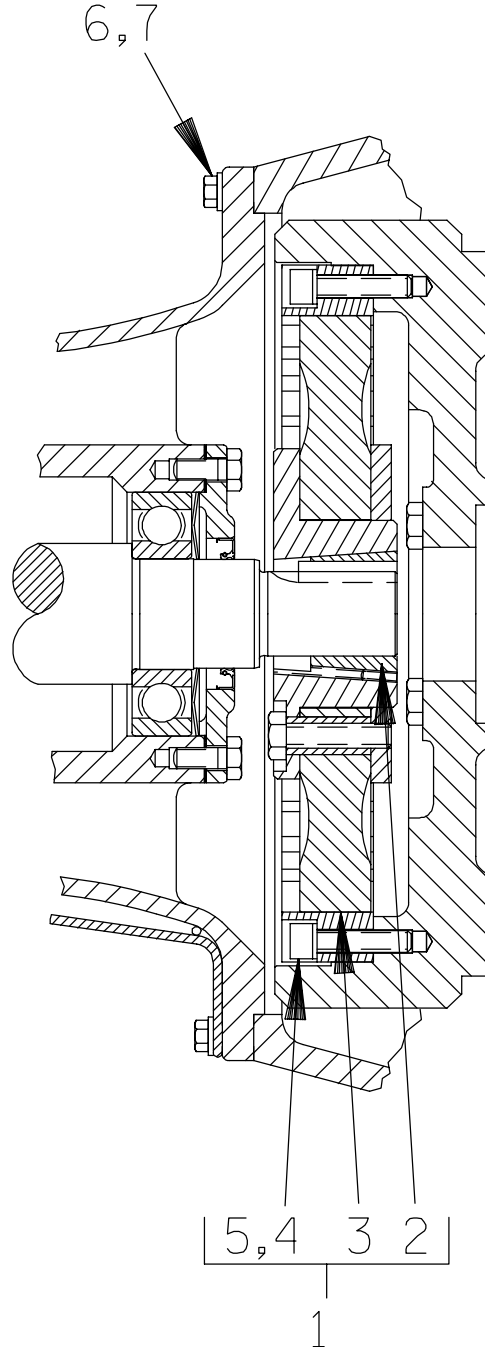
S/N 1132322 Up
PUMP ISSUE 3

PARTS LIST
66E60—(SAE4/10) Pump End Assembly

ITEM NO.	PART NAME	PART NUMBER	MAT'L CODE	QTY	ITEM NO.	PART NAME	PART NUMBER	MAT'L CODE	QTY
1	PUMP CASING	38218-014	10000	1	29	HEX NUT	D08	15991	2
2 *	IMPELLER ASSY	46151-409	----	1	30	LOCKWASHER	J08	15991	2
	—SPRING RETAINER	31167-023	15000	1	31	PIPE PLUG	P16	10009	1
3	PIPE PLUG	P06	15079	1	32	PIPE PLUG	P04	15079	1
4 *	SEAL ASSY	46512-048	----	1	33	AIR VENT	S1703	----	1
5 *	ADJ SHIM SET	5091	17090	1	34	OIL LEVEL DECAL	38816-123	----	1
6 *	CASING GASKET SET	34G	18000	1	35	AIR VENT	S1703	----	1
7	STUD	C0809	15991	8	36	SIGHT GAUGE ASSY	46353-045	----	1
8	HEX NUT	D08	15991	8	37	—LOWER COVER	26846-501	----	2
9 *	OIL SEAL	25258-622	----	1	38	—SUPPORT ASSY	41881-555	24150	1
10 *	INBOARD BALL BEARING	23421-461	----	1	39	—HEX HD CAPSCREW	B0426	15991	3
11	AIR VENT	S1703	----	1	40	—HEX NUT	D04	15991	3
12 *	OUTBOARD BALL BRG	S1077	----	1	41	—LOCKWASHER	J04	15991	3
13 *	THRUST WASHER	31133-197	15210	1	42 *	—CHAMBER GSKT	38681-204	20000	2
14 *	BRG COVER GSKT	5413G	18000	1	43	—SIGHT CHAMBER	26846-502	----	1
15	BEARING CAP	4185A	10010	1	44	MALE CONNECTOR	26523-409	----	2
16	HEX HD CAPSCREW	B0604	15991	4	45	HOSE	18513-054	----	1
17	LOCKWASHER	J06	15991	4	46	HOSE CLAMP	26518-642	----	2
18 *	OIL SEAL	25258-622	----	1	47	OIL LVL SIGHT GAUGE	S1471	----	1
19 *	IMP SHAFT KEY	N0607	15990	1	48	PIPE COUPLING	AE12	15079	1
20 *	IMPELLER SHAFT	38514-807	1706H	1	49	PIPE NIPPLE	T12	15079	1
21	INTERMEDIATE	38263-614	10010	1	50	PIPE NIPPLE	T0608	15079	1
22	BRG CAV DRAIN PLUG	P06	15079	1	51	PIPE TEE	U06	11999	1
23 *	OIL SEAL	25258-620	----	1	52	SEAL CVTY DRAIN PLUG	P06	15079	1
24	SEAL PLATE COVER	38242-707	10000	1	53 *	SHAFT SLEEVE	31163-016	1706H	1
25	FH MACHINE SCREW	Y#10-02	15991	4	54 *	BRG SHIM SET	8546	15990	1
26 *	SEAL PLT CVR O-RING	25152-256	----	1	55	INTERMEDIATE GUARD	42381-031	24150	1
27	SEAL PLATE	38272-527	10000	1	56	INTERMEDIATE GUARD	42381-032	24150	1
28 *	WEAR PLATE ASSY	46451-746	24150	1		NOT SHOWN:			
						DRIVE ASSY	44162-119	----	1

* INDICATES PARTS RECOMMENDED FOR STOCK

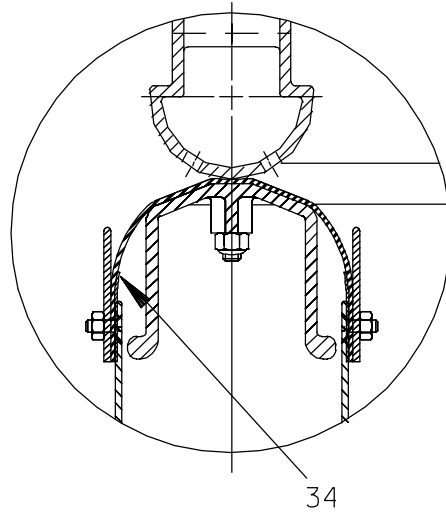
THE GORMAN-RUPP COMPANY • MANSFIELD, OHIO



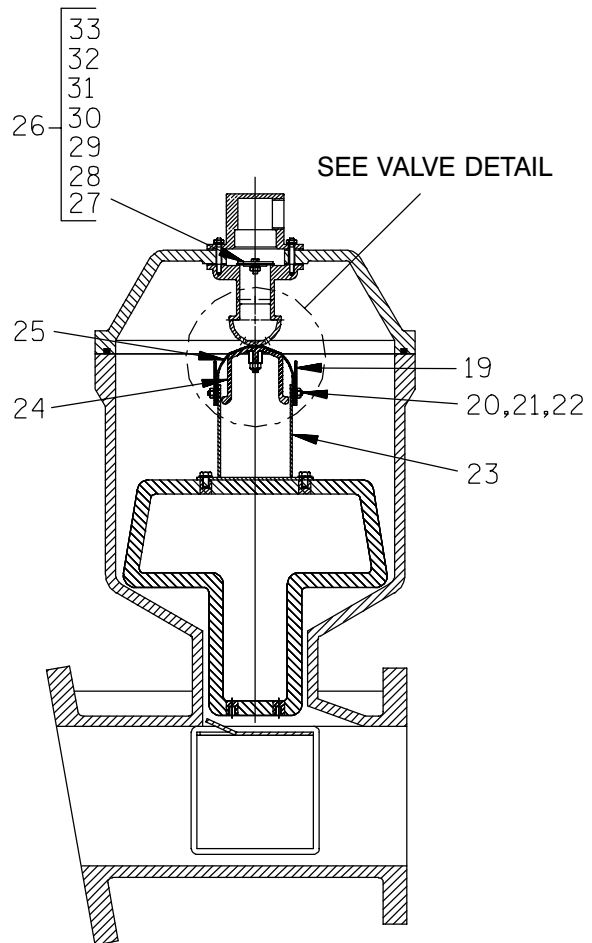
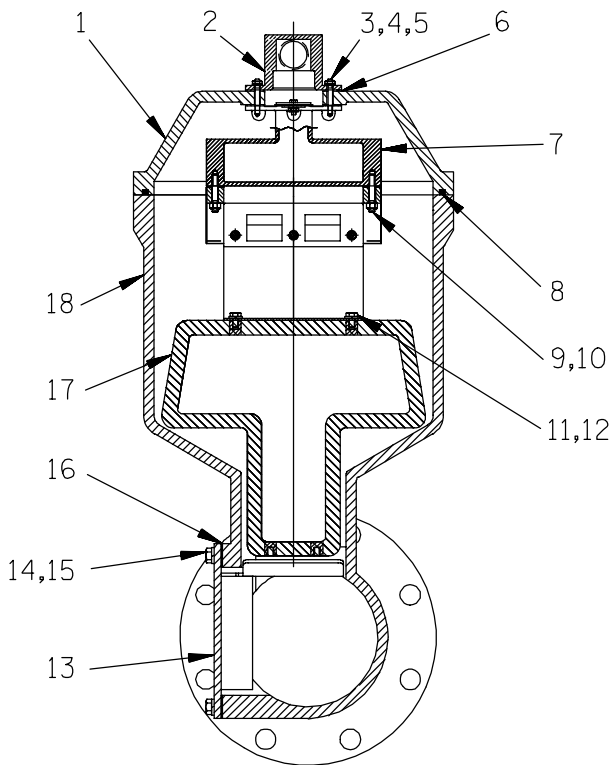
S/N 1132322 Up
PUMP ISSUE 3

PARTS LIST
(SAE4/10) Drive Assembly

ITEM NO.	PART NAME	PART NUMBER	MAT'L CODE	QTY
1	COUPLING KIT	48112-001	-----	1
2	-BUSHING	24131-345	-----	1
3	-COUPLING ASSEMBLY	44165-011	-----	1
4	-LOCKWASHER	21171-536	-----	8
5	-SOCKET HD CAPSCREW	22644-220	-----	8
6	HEX HD CAPSCREW	22645-164	-----	12
7	LOCKWASHER	21171-511	-----	12



VALVE DETAIL

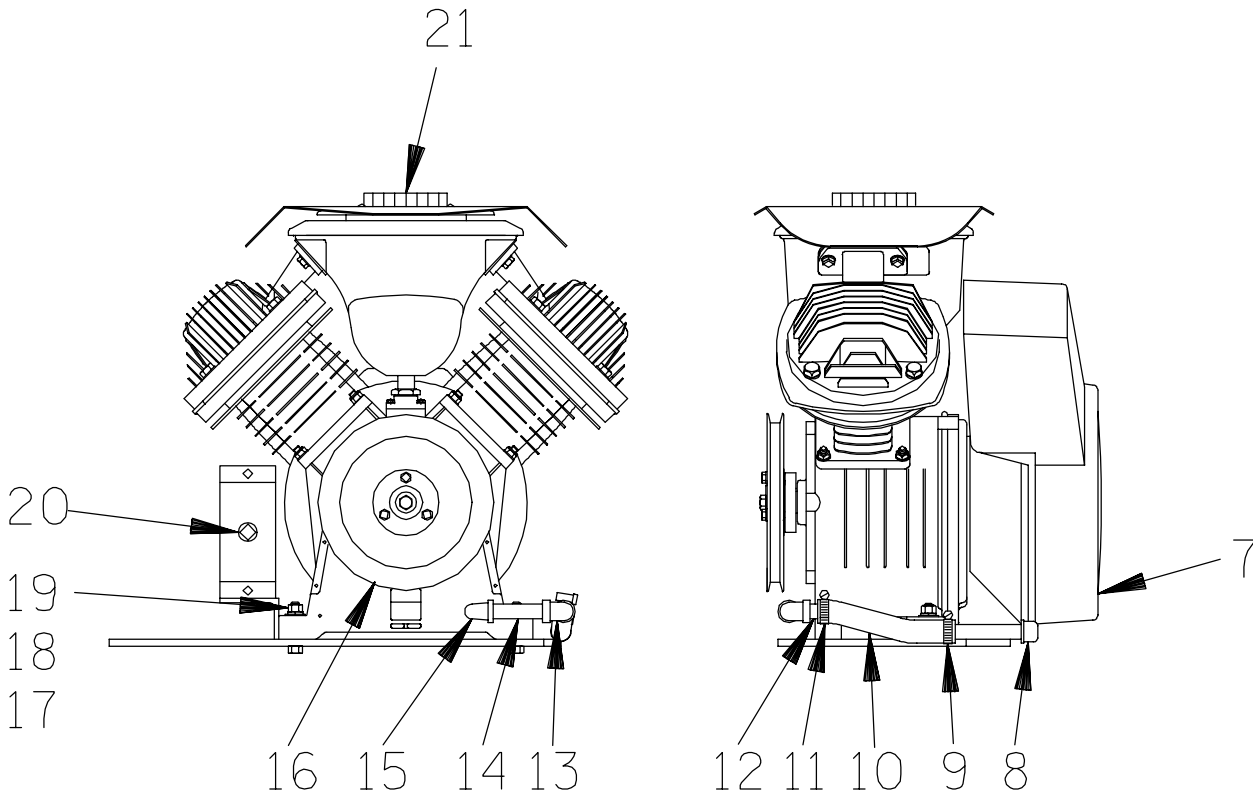
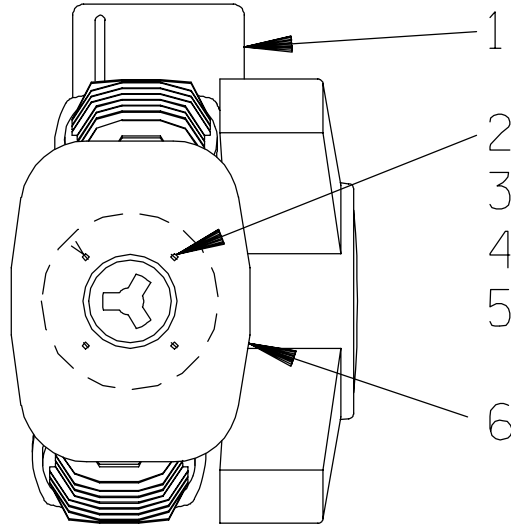


S/N 1132322 Up
PUMP ISSUE 3

PARTS LIST
46112—703 Peeler Type Priming Valve

ITEM NO.	PART NAME	PART NUMBER	MAT'L CODE	QTY	ITEM NO.	PART NAME	PART NUMBER	MAT'L CODE	QTY
1	PRIMING CHAMBER LID	38346—613	13000	1	20	FLAT HD CAPSCREW	F#10—03	17000	6
2	PEELER VALVE NECK	38349—410	10000	1	21	LOCKWASHER	J#10	17000	6
3	LOCKWASHER	J#10	17000	4	22	HEX NUT	D#10	17000	6
4	HEX NUT	D#10	17000	4	23	VLV STRAP BRKT ASSY	41881—523	2415X	1
5	STUD	21332—038	---	4	24	CLAMP PLATE	38349—406	14000	1
6 *	NECK GASKET	38683—266	19020	1	25	VALVE STRAP	33276—041	19000	1
7	VALVE BODY	38343—014	14000	1	26	CHECK VALVE ASSY	46411—112	---	1
8 *	GASKET STRIP 4.06' LG	18515—031	---	1	27 *	—CHECK VALVE	38671—413	19020	1
9	STUD	C0406 1/2	17000	2	28	—LOCKWASHER	J#10	17000	1
10	HEX LOCK NUT	BC04	17000	2	29	—HEX NUT	D#10	17000	1
11	HEX HD CAPSCREW	B0403	17000	4	30	—FLATWASHER	21161—810	---	1
12	LOCKWASHER	J04	17000	4	31	—HEX HD CAPSCREW	B#10—02	17000	1
13	INDUCTOR GUARD ASSY	42381—066	24150	1	32	—FLATWASHER	21161—811	---	1
14	HEX HD CAPSCREW	B0605	15991	4	33	—SEALING WASHER	S1590	---	1
15	LOCKWASHER	J06	15991	4	34	VLV STRAP PROTECTOR	33271—019	19000	2
16 *	CHAMBER GSKT	38687—552	18000	1	NOT SHOWN:				
17 *	PRIMING VALVE FLOAT	38349—404	19220	1		HEX HD CAPSCREW	B0807	15991	4
18	PRIMING CHAMBER	38343—017	10000	1		PIPE PLUG	P04	15079	1
19	GUIDE PLATE	33522—009	17000	2					

* INDICATES PARTS RECOMMENDED FOR STOCK



S/N 1132322 Up
PUMP ISSUE 3

PARTS LIST
46181—902 Air Compressor Assembly

ITEM NO.	PART NAME	PART NUMBER	MAT'L CODE	QTY
1	AIR COMPRESSOR MOUNTING PLATE	41881—554	24150	1
2	MACHINE SCREW	X#10—02	15991	4
3	HEX NUT	D#10	15991	4
4	LOCKWASHER	J#10	15991	4
5	FLAT WASHER	K#10	15991	4
6	AIR COMPRESSOR COVER	38354—043	15120	1
7	ATLAS COPCO AIR COMPRESSOR	26813—111	---	1
8	PIPE CAP	V06	15079	1
9	HOSE CLAMP	26518—683	---	1
10	HOSE CLAMP	18513—304	---	1
11	HOSE CLAMP	26518—683	---	1
12	PIPE NIPPLE	2434	15070	1
13	PIPE ELBOW	R06	11999	1
14	PIPE NIPPLE	T0611	15079	1
15	STREET ELBOW	RS06	11999	1
16	AIR COMPRESSOR PULLEY	44112—001	---	1
	—PULLEY	24226—003	---	1
	—BUSHING	24131—611	---	1
	—SHAFT EXTENSION	31412—070	15000	1
	—HEX HD CAPSCREW	22645—164	---	1
	—KEY	24113—601	---	1
17	HEX NUT	D06	15991	4
18	LOCKWASHER	J06	15991	4
19	FLAT WASHER	K06	15991	4
20	PIPE PLUG	P08	15079	1
21	AIR COMPRESSOR KNOB	38429—501	19220	1

**For U.S. and International Warranty Information,
Please Visit www.grpumps.com/warranty
or call:
U.S.: 419-755-1280
International: +1-419-755-1352**

**For Canadian Warranty Information,
Please Visit www.grcanada.com/warranty
or call:
519-631-2870**