



***PRIME-AIRE***<sup>TM</sup> **SERIES**  
**PUMP MODEL**  
**PA6A60-F4L**

**MANUAL**  
**PART 2 of 3**

**PARTS**  
**LIST**  
**WITH**  
**PERFORMANCE CURVE**

**THE GORMAN-RUPP COMPANY • MANSFIELD, OHIO**

**GORMAN-RUPP OF CANADA LIMITED • ST. THOMAS, ONTARIO, CANADA** Printed in U.S.A.

©Copyright by the Gorman-Rupp Company



The engine exhaust from this product contains chemicals known to the State of California to cause cancer, birth defects or other reproductive harm.

## PERFORMANCE CURVE – SECTION A

### RECORDING MODEL AND SERIAL NUMBERS

Please record the pump model and serial number in the spaces provided below and in the separate Installation/Operation Manual accompanying your pump. Your Gorman-Rupp distributor needs this information when you require parts or service.

Pump Model: \_\_\_\_\_

Serial Number: \_\_\_\_\_

### WARRANTY INFORMATION

The pump warranty is provided as part of Gorman-Rupp's support program for customers who operate and maintain their equipment as described in this manual and other accompanying literature. Please note that should the equipment be abused or modified to change its performance beyond the original factory specifications, the warranty will become void and any claim will be denied.

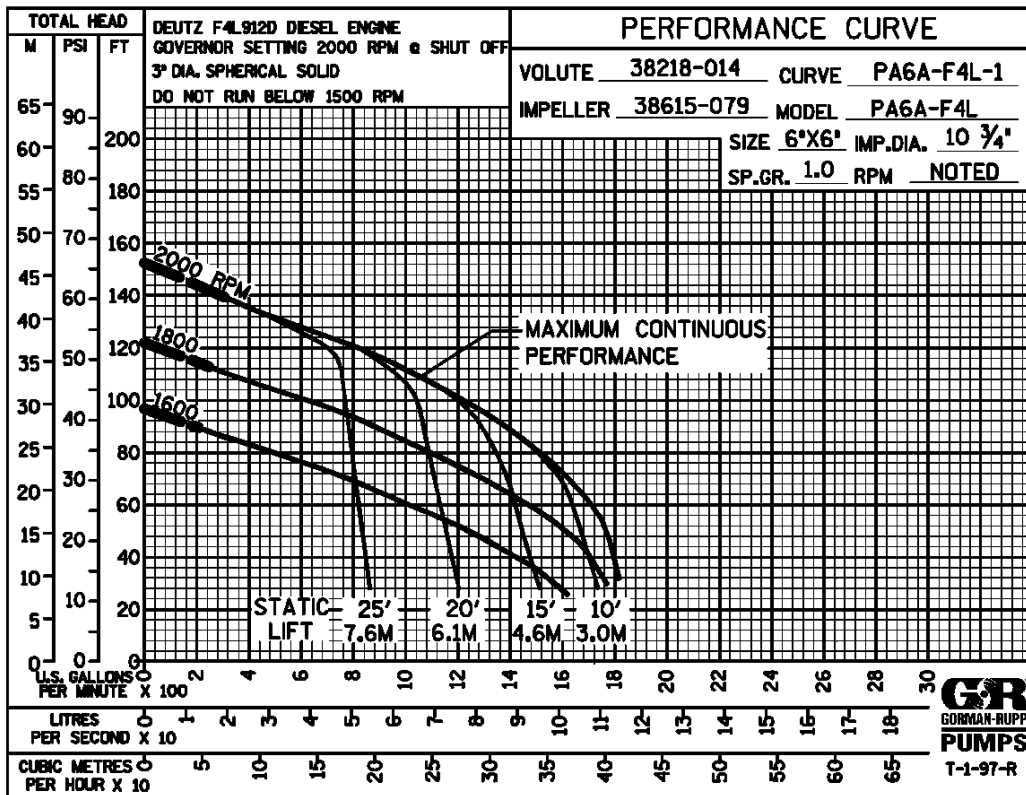
### PERFORMANCE CURVE

The performance curve on the following page is based on 70° F (21° C) clear water at sea level, corrected to 0.80 specific gravity, with minimum suction lift. Since pump installations are seldom identical, your performance may be different due to such factors as viscosity, specific gravity, elevation, temperature, and impeller trim.

If your pump serial number is followed by an "N", your pump is **NOT** a standard production model. Contact the Gorman-Rupp Company to verify performance or part numbers.

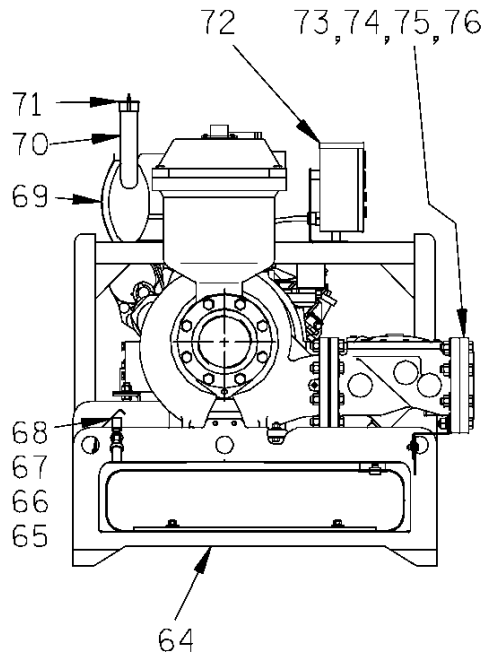
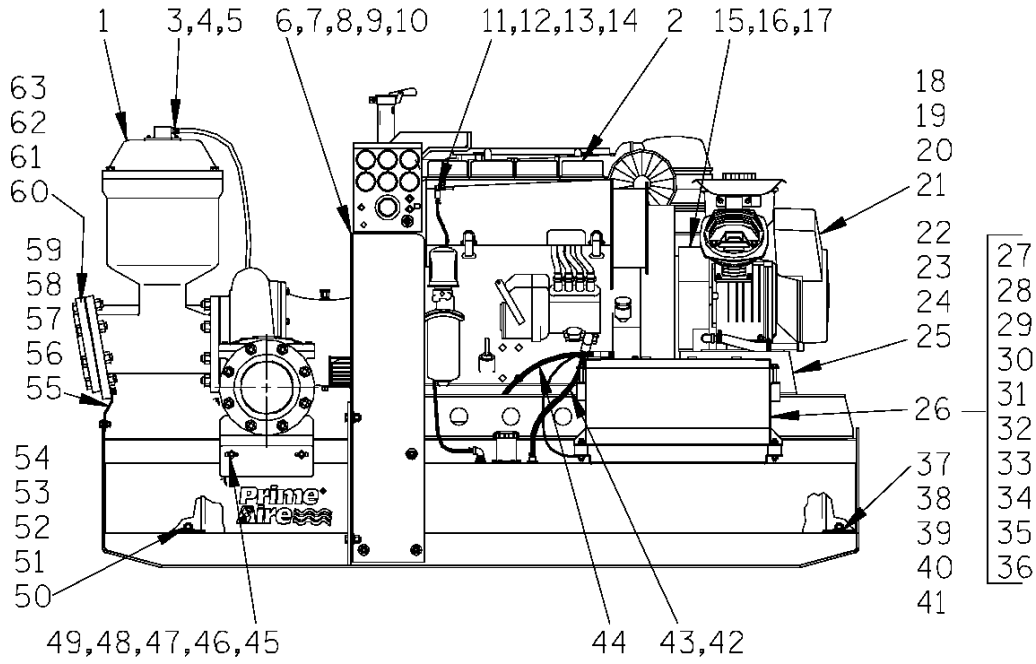


Pump speed and operating condition points must be within the continuous performance range shown on the curve.



Performance Curve – Model PA6A60–F4L

**This Page Intentionally Blank**



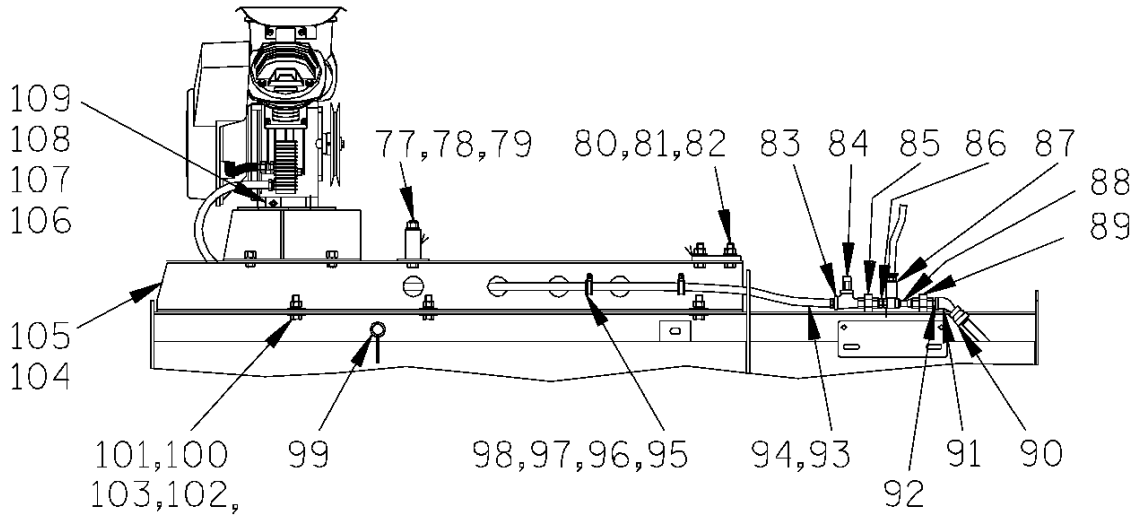
S/N 1189299 Up  
PUMP ISSUE 4

**PARTS LIST**  
**Pump Model PA6A60-F4L**

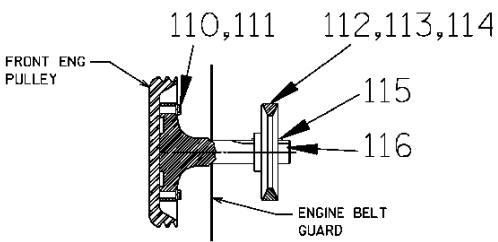
If your pump serial number is followed by an "N", your pump is **NOT** a standard production model. Contact the Gorman-Rupp Company to verify part numbers.

ITEM NO.	PART NAME	PART NUMBER	MAT'L CODE	QTY	ITEM NO.	PART NAME	PART NUMBER	MAT'L CODE	QTY
1	PUMP ASSEMBLY	PA6A60-(SAE 4/10)		1	39	HEX NUT	D08	15991	2
2	DEUTZ F4L ENGINE	29217-043	---	1	40	LOCKWASHER	J08	15991	2
3	REDUCER BUSHING	AP1608	11999	1	41	FLAT WASHER	K08	15991	2
4	MALE CONNECTOR	26525-020	---	2	42	MALE CONNECTOR	S1447	---	1
5	1/2" BRAIDED HOSE (3.25')	18513-113	---	1	43	HOSE ASSY	46341-812	---	1
6	LIFTING BAIL	44711-019	24150	1	44	POS CABLE ASSY	47311-118	---	1
7	HEX HD CAPSCREW	B0805	15991	10	45	CHECK VLV BRKT	34518-017	15120	1
8	HEX NUT	D08	15991	8	46	HEX HD CAPSCREW	B0604	15991	2
9	LOCKWASHER	J08	15991	10	47	HEX NUT	D06	15991	2
10	FLAT WASHER	K08	15991	12	48	LOCKWASHER	J06	15991	2
11	HOSE	11308A	---	1	49	FLAT WASHER	K06	15991	4
12	HOSE CLAMP	26518-641	---	2	50	FUEL TANK RETAINER	33541-039	15120	1
13	BARB HOSE FITTING	26523-443	---	1	51	HEX HD CAPSCREW	B0806	15991	2
14	BARB HOSE FITTING	26523-386	---	1	52	HEX NUT	D08	15991	2
15	A/C BELT GUARD ASSY	42353-020	---	1	53	LOCKWASHER	J08	15991	2
16	HEX HD CAPSCREW	B0604	15991	2	54	FLAT WASHER	K08	15991	2
17	LOCKWASHER	J06	15991	2	55	PRIM CHAMBER BRKT	34535-010	15120	1
18	A/C COMPRESSOR ASSY	46181-902	---	1	56	HEX HD CAPSCREW	B0604	15991	3
19	HEX HD CAPSCREW	B0604	15991	4	57	HEX NUT	D06	15991	2
20	LOCKWASHER	J06	15991	4	58	LOCKWASHER	J06	15991	3
21	FLAT WASHER	K06	15991	4	59	FLAT WASHER	K06	15991	3
22	A/C MTG BRKT ASSY	41881-557	24150	1	60	SUCTION FLANGE	1758	10010	1
23	HEX HD CAPSCREW	B0805	15991	4	61	SUCT FLANGE GSKT	1679G	18000	1
24	HEX NUT	D08	15991	4	62	HEX HD CAPSCREW	B1212	15991	8
25	LOCKWASHER	J08	15991	4	63	HEX NUT	D12	15991	8
26	BATTERY BOX ASSY	GRP40-08C	---	1	64	SKID ASSY	41565-570	24150	1
27	-HEX HD CAPSCREW	B0607	15991	2	65	VENTURI GUARD ASSY	42381-067	---	1
28	-FLAT WASHER	K06	15991	2	66	HEX HD CAPSCREW	B0504	15991	2
29	-FLANGED HEX NUT	21765-314	---	2	67	LOCKWASHER	J05	15991	2
30	-GRND CABLE ASSY	47311-064	---	1	68	FLAT WASHER	K05	15991	2
31	-BATTERY BOX LID	42113-012	24150	1	69	MUFFLER GRD ASSY	42331-031	---	1
32	-12V BATTERY	SEE OPTIONS LIST			70	EXHAUST ELBOW	31912-023	15990	1
33	-BATTERY TAG	38818-506	---	1	71	RAIN CAP	S1331	---	1
34	-BATTERY BOX	42431-030	24150	1	72	CONTROL PANEL	29277-012	---	1
35	-STUD MOUNT	24631-006	---	4	73	DISCHARGE FLANGE	1758	10010	1
36	-FLANGED HEX NUT	21765-314	---	8	74	DISCH FLANGE GSKT	1679G	18000	1
37	A/C FUEL TANK RETAINER	33541-039	15120	1	75	HEX HD CAPSCREW	B1213	15991	6
38	HEX HD CAPSCREW	B0806	15991	2	76	HEX NUT	D12	15991	6

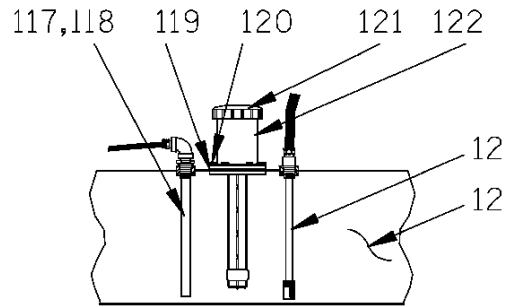
\* INDICATES PARTS RECOMMENDED FOR STOCK



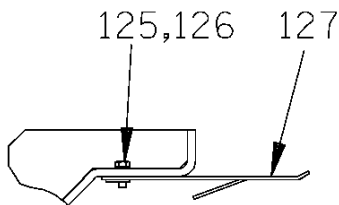
VENTURI SYSTEM AND MISC. HARDWARE



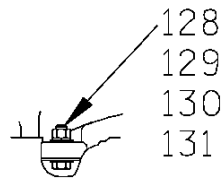
FRONT ENGINE CRANKSHAFT EXTENSION ASS'Y.



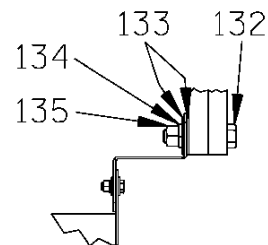
FUEL PICK-UP SYSTEM



FUEL RAIL GUARD



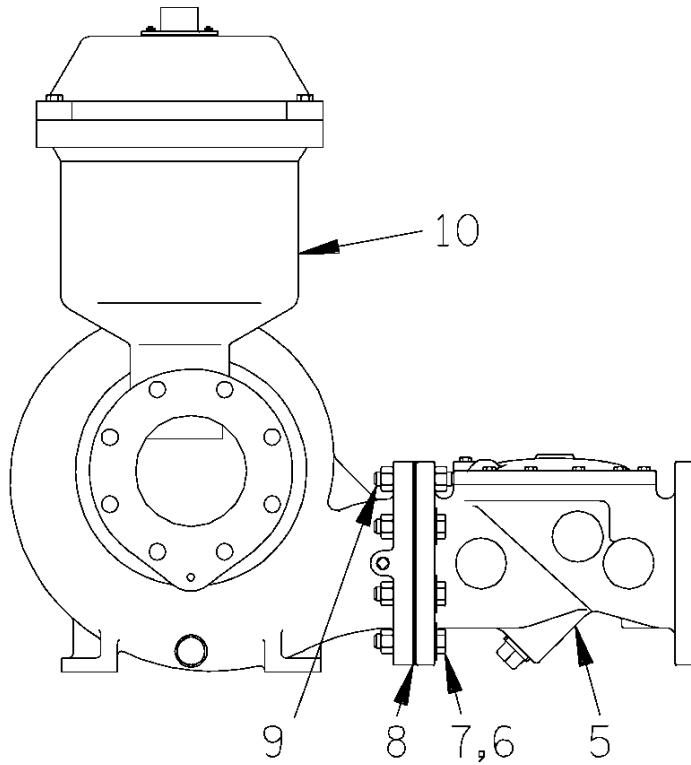
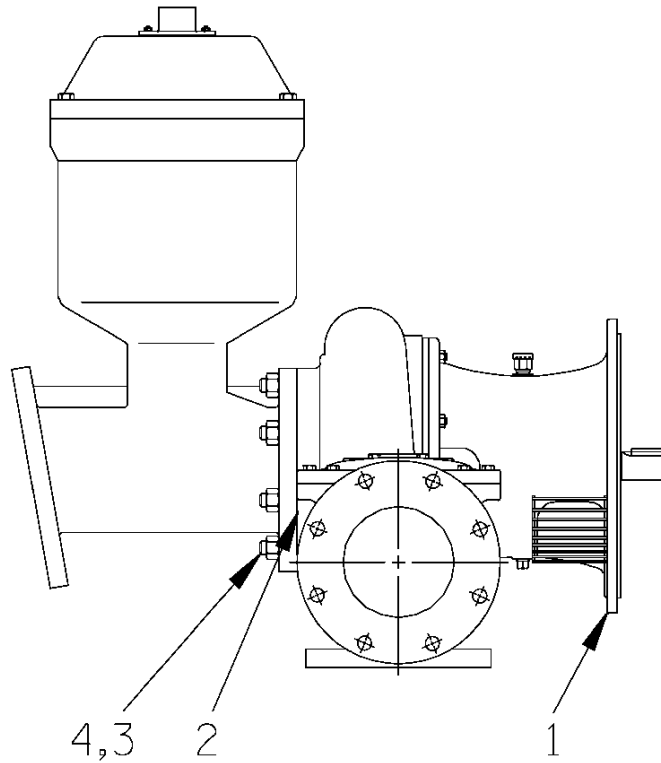
PUMP FEET HARDWARE



CHECK VALVE  
BRKT. HARDWARE







**THE GORMAN-RUPP COMPANY • MANSFIELD, OHIO**

GORMAN-RUPP OF CANADA LIMITED • ST. THOMAS, ONTARIO, CANADA

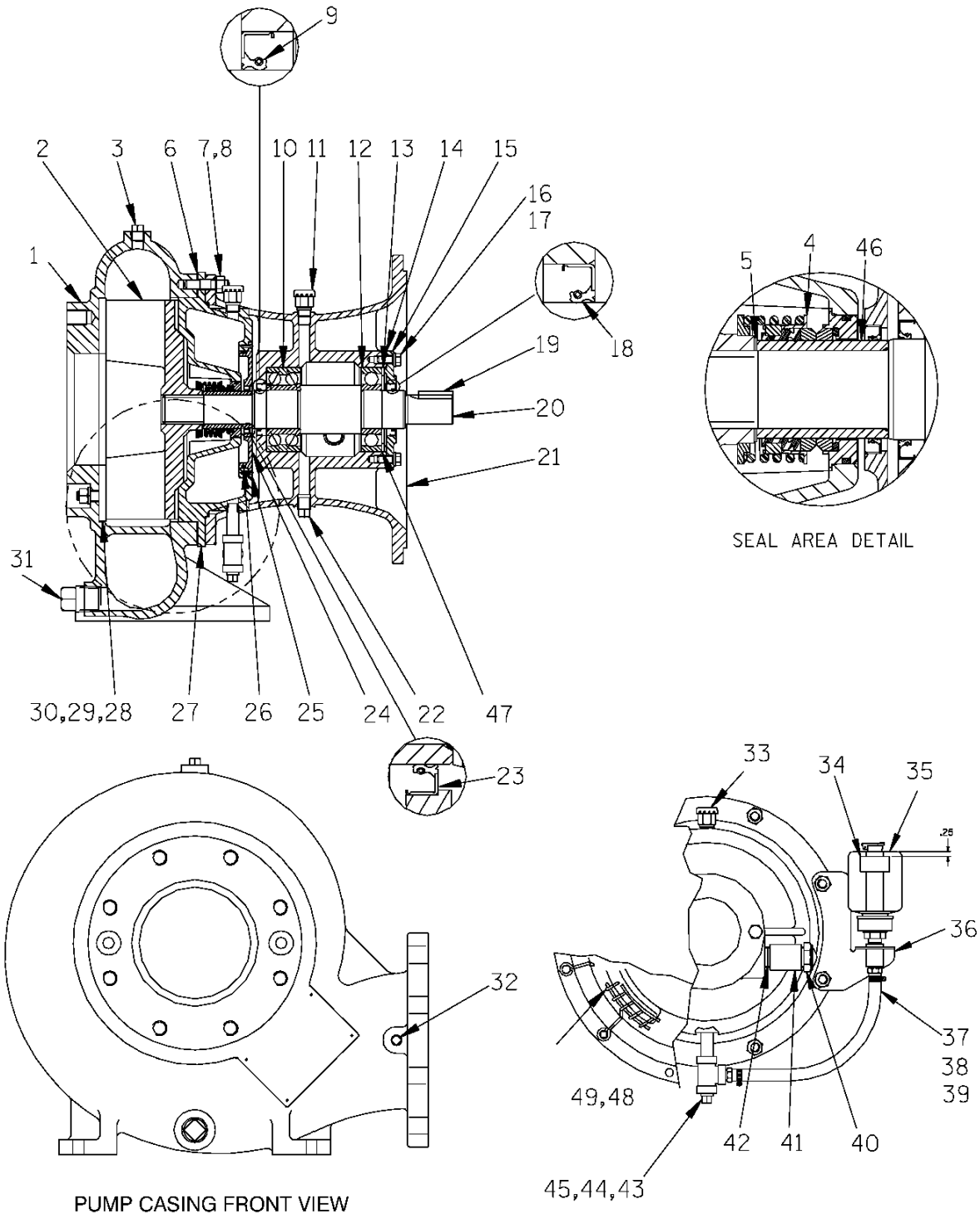
Printed in U.S.A.

S/N 1189299 Up  
 PUMP ISSUE 4

**PARTS LIST**  
**PA6A60-F4L Pump Assembly**

ITEM NO.	PART NAME	PART NUMBER	MAT'L CODE	QTY
1	PUMP END ASSY	66E60-(SAE4/10)	---	1
2	* PUMP CASING GSKT	1679G	18000	1
3	STUD	C1211	15991	8
4	HEX NUT	D12	15991	8
5	CHECK VALVE ASSY	26642-126	---	1
	-FLAPPER	26688-001	---	1
	-COVER GASKET	26688-002	---	1
6	HEX HD CAPSCREW	B1214	15991	7
7	HEX NUT	D12	15991	9
8	* CHECK VALVE GSKT	25113-036	---	1
9	STUD	C1215	15991	1
10	PRIMING CHAMBER ASSY	46112-703	---	1

\* INDICATES PARTS RECOMMENDED FOR STOCK



**THE GORMAN-RUPP COMPANY • MANSFIELD, OHIO**

GORMAN-RUPP OF CANADA LIMITED • ST. THOMAS, ONTARIO, CANADA

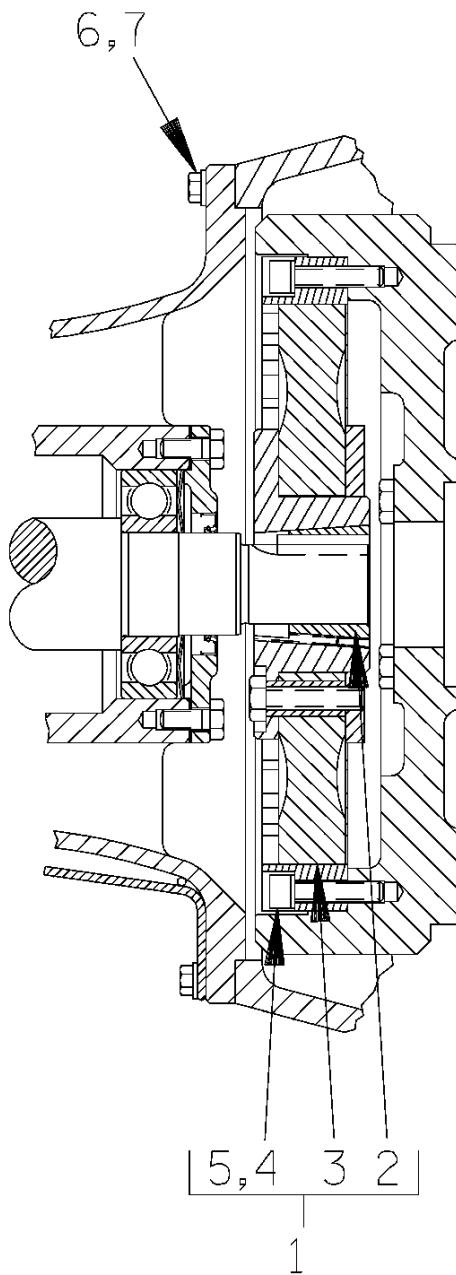
Printed in U.S.A.

S/N 1189299 Up  
PUMP ISSUE 4

**PARTS LIST**  
**66E60--(SAE4/10) Pump End Assembly**

ITEM NO.	PART NAME	PART NUMBER	MAT'L CODE	QTY	ITEM NO.	PART NAME	PART NUMBER	MAT'L CODE	QTY
1	PUMP CASING	38218-014	10000	1	26 *	SEAL PLT CVR O-RING	25152-256	---	1
2 *	IMPELLER ASSY	46151-409	---	1	27	SEAL PLATE	38272-527	10000	1
3	PIPE PLUG	P06	15079	1	28 *	WEAR PLATE ASSY	46451-746	24150	1
4 *	SEAL ASSY	46512-048	---	1	29	HEX NUT	D08	15991	2
5 *	ADJ SHIM SET	5091	17090	1	30	LOCKWASHER	J08	15991	2
6 *	CASING GASKET SET	34G	18000	1	31	PIPE PLUG	P16	10009	1
7	STUD	C0809	15991	8	32	PIPE PLUG	P04	15079	1
8	HEX NUT	D08	15991	8	33	AIR VENT	S1703	---	1
9 *	OIL SEAL	25258-622	---	1	34	OIL LEVEL DECAL	38816-123	---	1
10 *	INBOARD BALL BEARING	23421-461	---	1	35	BOTTLE OILER	26713-004	---	1
11	AIR VENT	S1703	---	1	36	BRACKET ASSY	41881-619	24150	1
12 *	OUTBOARD BALL BRG	S1077	---	1	37	MALE CONNECTOR	26523-409	---	2
13 *	THRUST WASHER	31133-197	15210	1	38	HOSE	18513-054	---	1
14 *	BRG COVER GSKT	5413G	18000	1	39	HOSE CLAMP	26518-642	---	2
15	BEARING CAP	4185A	10010	1	40	OIL LVL SIGHT GAUGE	S1471	---	1
16	HEX HD CAPSCREW	B0604	15991	4	41	PIPE COUPLING	AE12	15079	1
17	LOCKWASHER	J06	15991	4	42	PIPE NIPPLE	T12	15079	1
18 *	OIL SEAL	25258-622	---	1	43	PIPE NIPPLE	T0608	15079	1
19 *	IMP SHAFT KEY	N0607	15990	1	44	PIPE TEE	U06	11999	1
20 *	IMPELLER SHAFT	38514-807	1706H	1	45	SEAL CVTY DRAIN PLUG	P06	15079	1
21	INTERMEDIATE	38263-614	10010	1	46 *	SHAFT SLEEVE	31163-016	1706H	1
22	BRG CAV DRAIN PLUG	P06	15079	1	47 *	BRG SHIM SET	8546	15990	1
23 *	OIL SEAL	25258-620	---	1	48	INTERMEDIATE GUARD	42381-031	24152	1
24	SEAL PLATE COVER	38242-707	10000	1	49	INTERMEDIATE GUARD	42381-032	24152	1
25	FH MACHINE SCREW	Y#10-02	15991	4	NOT SHOWN:				
						DRIVE ASSY	44162-119	---	1
						NAME PLATE	38818-127	13000	1
						DRIVE SCREW	BM#04-03	17000	4

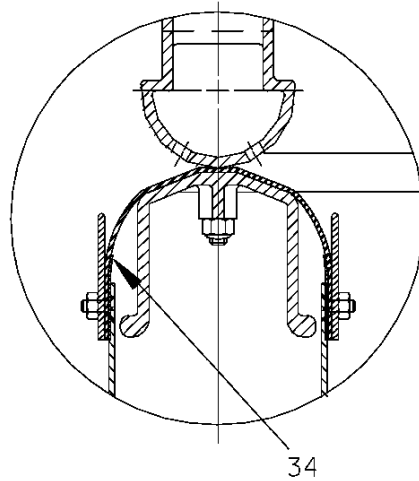
\* INDICATES PARTS RECOMMENDED FOR STOCK



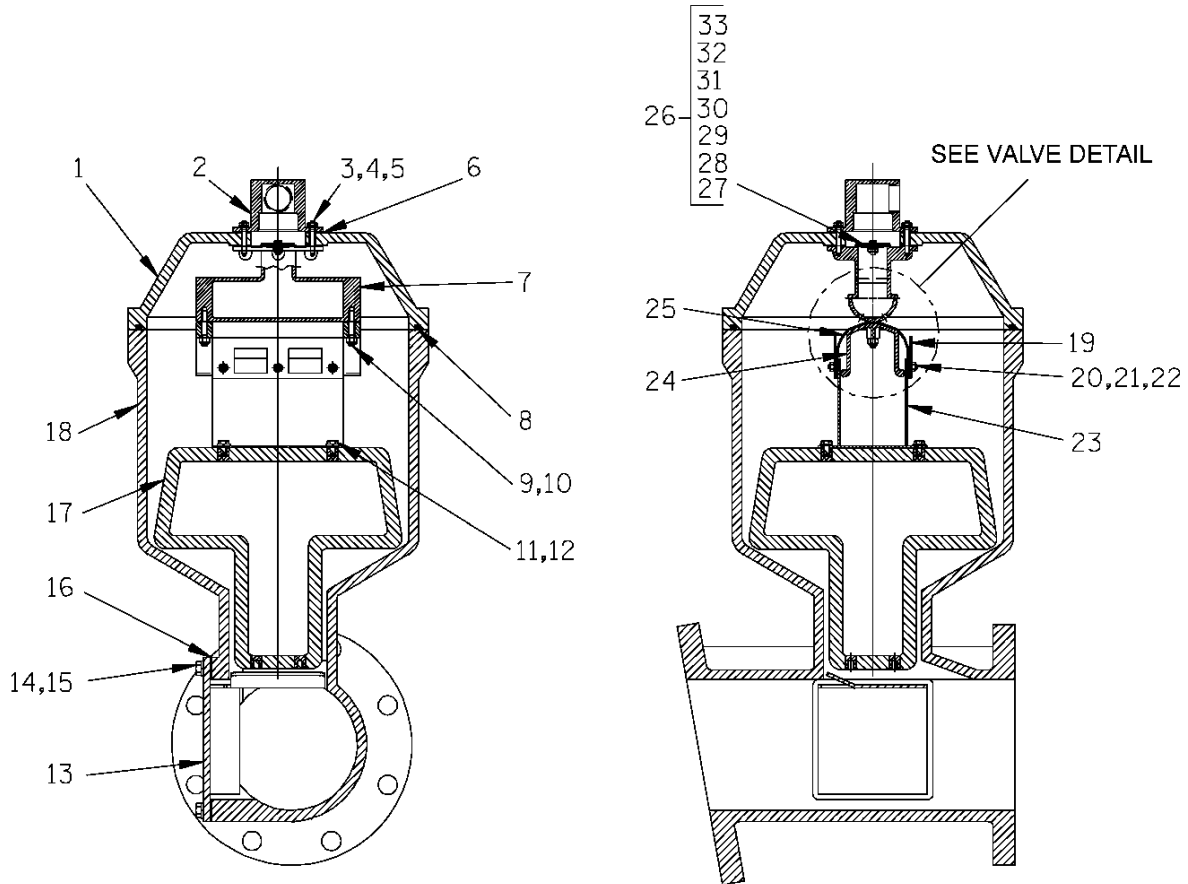
S/N 1189299 Up  
PUMP ISSUE 4

**PARTS LIST**  
**(SAE4/10) Drive Assembly**

ITEM NO.	PART NAME	PART NUMBER	MAT'L CODE	QTY
1	COUPLING KIT	48112-001	---	1
2	-BUSHING	24131-345	---	1
3	-COUPLING ASSEMBLY	44165-011	---	1
4	-LOCKWASHER	21171-536	---	8
5	-SOCKET HD CAPSCREW	22644-220	---	8
6	HEX HD CAPSCREW	22645-164	---	12
7	LOCKWASHER	21171-511	---	12



34  
VALVE DETAIL



**THE GORMAN-RUPP COMPANY • MANSFIELD, OHIO**

GORMAN-RUPP OF CANADA LIMITED • ST. THOMAS, ONTARIO, CANADA

Printed in U.S.A.

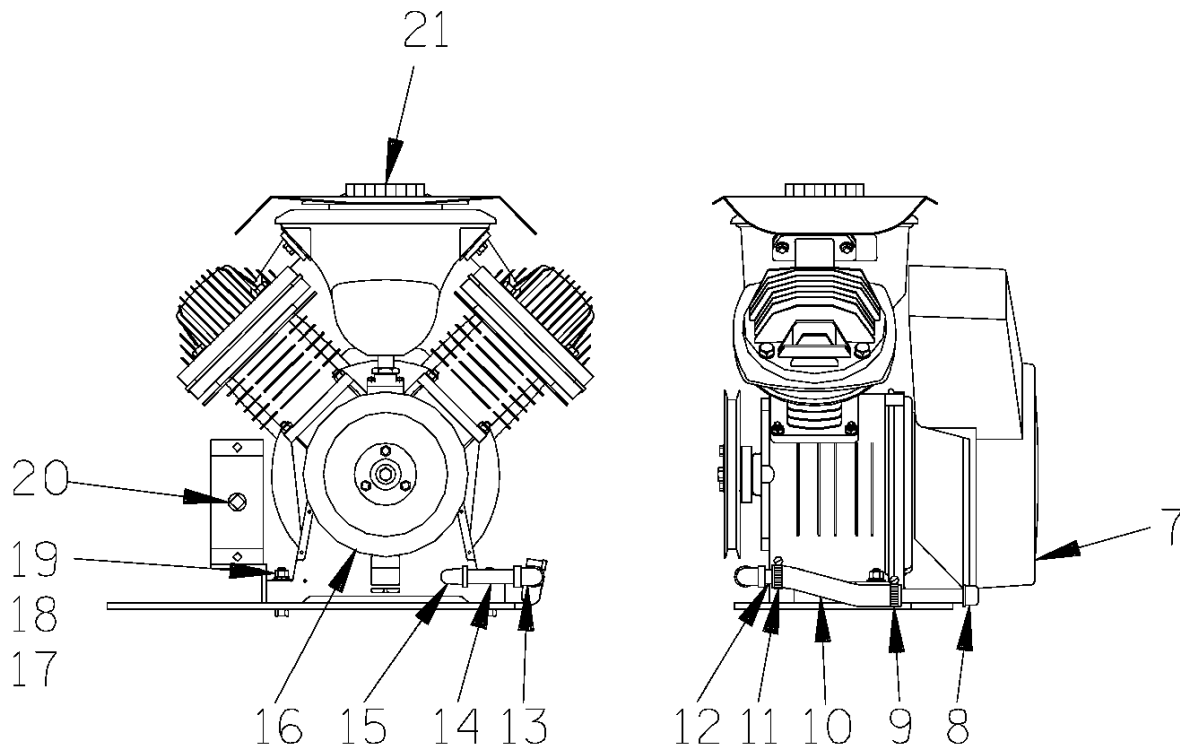
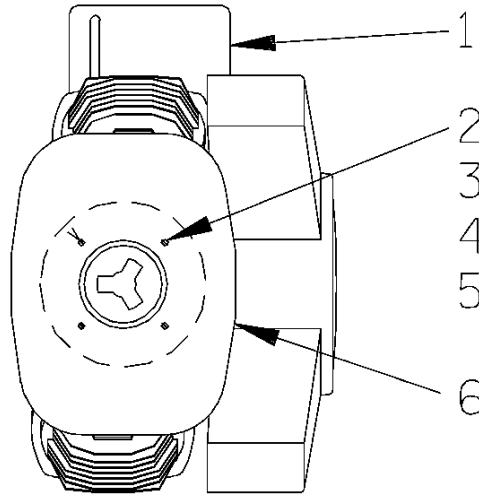


S/N 1189299 Up  
PUMP ISSUE 4

**PARTS LIST**  
**46112-703 Peeler Type Priming Valve**

ITEM NO.	PART NAME	PART NUMBER	MAT'L CODE	QTY	ITEM NO.	PART NAME	PART NUMBER	MAT'L CODE	QTY
1	PRIMING CHAMBER LID	38346-613	13000	1	19	GUIDE PLATE	33522-009	17000	2
2	PEELER VALVE NECK	38349-410	10000	1	20	FLAT HD CAPSCREW	F#10-03	17000	6
3	LOCKWASHER	J#10	17000	4	21	LOCKWASHER	J#10	17000	6
4	HEX NUT	D#10	17000	4	22	HEX NUT	D#10	17000	6
5	STUD	21332-038	---	4	23	VLV STRAP BRKT ASSY	41881-523	2415X	1
6*	NECK GASKET	38683-266	19020	1	24	CLAMP PLATE	38349-406	14000	1
7	VALVE BODY	38343-014	14000	1	25	VALVE STRAP	33276-041	19410	1
8*	GASKET STRIP 4.06' LG	18515-031	---	1	26	CHECK VALVE ASSY	46411-112	---	1
9	STUD	C0406 1/2	17000	2	27*	-CHECK VALVE	38671-413	19020	1
10	HEX LOCK NUT	BC04	17000	2	28	-LOCKWASHER	J#10	17000	1
11	HEX HD CAPSCREW	B0402 1/2	17000	4	29	-HEX NUT	D#10	17000	1
12	LOCKWASHER	J04	17000	4	30	-FLATWASHER	21161-810	---	1
13	INDUCTOR GUARD ASSY	42381-066	24150	1	31	-HEX HD CAPSCREW	B#10-02	17000	1
14	HEX HD CAPSCREW	B0605	15991	4	32	-FLATWASHER	21161-811	---	1
15	LOCKWASHER	J06	15991	4	33	-SEALING WASHER	25123-056	---	1
16*	CHAMBER GSKT	38687-552	18000	1	34	VLV STRAP PROTECTOR	33271-019	19000	2
17*	PRIMING VALVE FLOAT	38349-404	19220	1	NOT SHOWN:				
18	PRIMING CHAMBER	38343-017	10000	1		HEX HD CAPSCREW	B0807	15991	4
						PIPE PLUG	P04	15079	1

\* INDICATES PARTS RECOMMENDED FOR STOCK



S/N 1189299 Up  
PUMP ISSUE 4

**PARTS LIST**  
**46181-902 Air Compressor Assembly**

ITEM NO.	PART NAME	PART NUMBER	MAT'L CODE	QTY
1	AIR COMPRESSOR MOUNTING PLATE	41881-554	24150	1
2	MACHINE SCREW	X#10-02	15991	4
3	HEX NUT	D#10	15991	4
4	LOCKWASHER	J#10	15991	4
5	FLAT WASHER	K#10	15991	4
6	AIR COMPRESSOR COVER	38354-043	15120	1
7	ATLAS COPCO AIR COMPRESSOR	26813-111	---	1
8	PIPE CAP	V06	15079	1
9	HOSE CLAMP	26518-683	---	1
10	HOSE CLAMP	18513-304	---	1
11	HOSE CLAMP	26518-683	---	1
12	PIPE NIPPLE	2434	15070	1
13	PIPE ELBOW	R06	11999	1
14	PIPE NIPPLE	T0611	15079	1
15	STREET ELBOW	RS06	11999	1
16	AIR COMPRESSOR PULLEY	44112-001	---	1
	-PULLEY	24226-003	---	1
	-BUSHING	24131-611	---	1
	-SHAFT EXTENSION	31412-070	15000	1
	-HEX HD CAPSCREW	22645-164	---	1
	-KEY	24113-601	---	1
17	HEX NUT	D06	15991	4
18	LOCKWASHER	J06	15991	4
19	FLAT WASHER	K06	15991	4
20	PIPE PLUG	P08	15079	1
21	AIR COMPRESSOR KNOB	38429-501	19220	1

**For U.S. and International Warranty Information,  
Please Visit [www.grpumps.com/warranty](http://www.grpumps.com/warranty)**

**or call:**

**U.S.: 419-755-1280**

**International: +1-419-755-1352**

**For Canadian Warranty Information,  
Please Visit [www.grcanada.com/warranty](http://www.grcanada.com/warranty)**

**or call:**

**519-631-2870**

**THE GORMAN-RUPP COMPANY • MANSFIELD, OHIO**

**GORMAN-RUPP OF CANADA LIMITED • ST. THOMAS, ONTARIO, CANADA**