



## Basic Pedestal Self Priming Centrifugal Pump Model 03F52-B Size 3" x 3"

### PUMP SPECIFICATIONS

**Size:** 3" x 3" (76 mm x 76 mm) NPT - Female.

**Casing:** Gray Iron 30.

Maximum Operating Pressure 75 psi (517 kPa).\*

**Enclosed Type, Six Vane Impeller:** Gray Iron 30.

Handles 5/8" (15,9 mm) Diameter Spherical Solids.

**Impeller Shaft:** Alloy Steel 4150.

**Replaceable Wear Ring:** Gray Iron 30.

**Pedestal:** Gray Iron 30.

**Seal Plate:** Gray Iron 30.

**Shaft Sleeve:** Alloy Steel 4130.

**Radial Bearing:** Open Single Row Ball.

**Thrust Bearing:** Open Double Row Ball.

**Bearing Lubrication:** Grease.

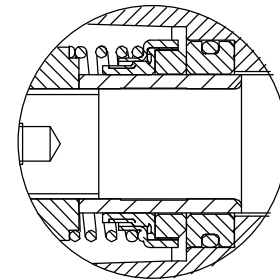
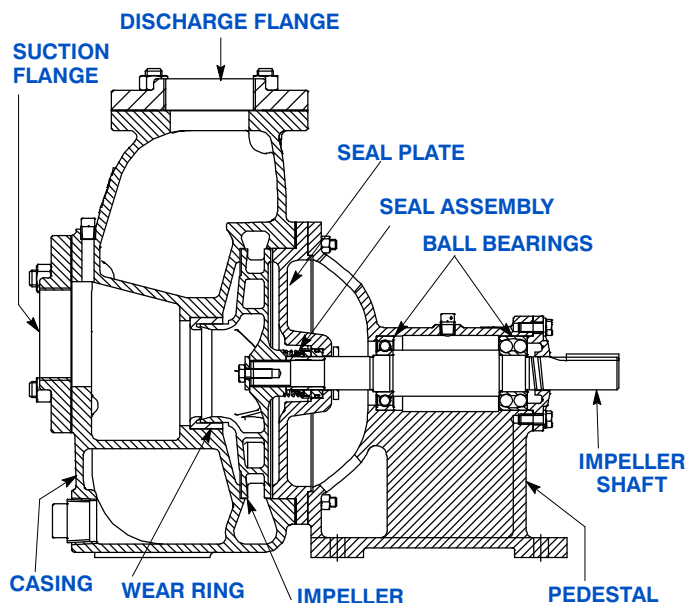
**Flanges:** Gray Iron 30.

**Gaskets:** Composition Cork and Buna-N.

**Hardware:** Standard Plated Steel.

**Optional Equipment:** Consult Factory.

*\*Consult Factory for Applications Exceeding  
Maximum Pressure and/or Temperature Indicated.*



### SEAL DETAIL:

Type 31, Mechanical Self-Lubricated. Silicon Carbide Rotating and Stationary Faces. Fluorocarbon Elastomers are DuPont Viton® or Equivalent. Stainless Steel 18-8 Cage and Spring. Maximum Temperature of Liquid Pumped, 160°F (71°C).\*



GORMAN-RUPP PUMPS

www.grpumps.com

Specifications Subject to Change Without Notice

Printed in U.S.A.

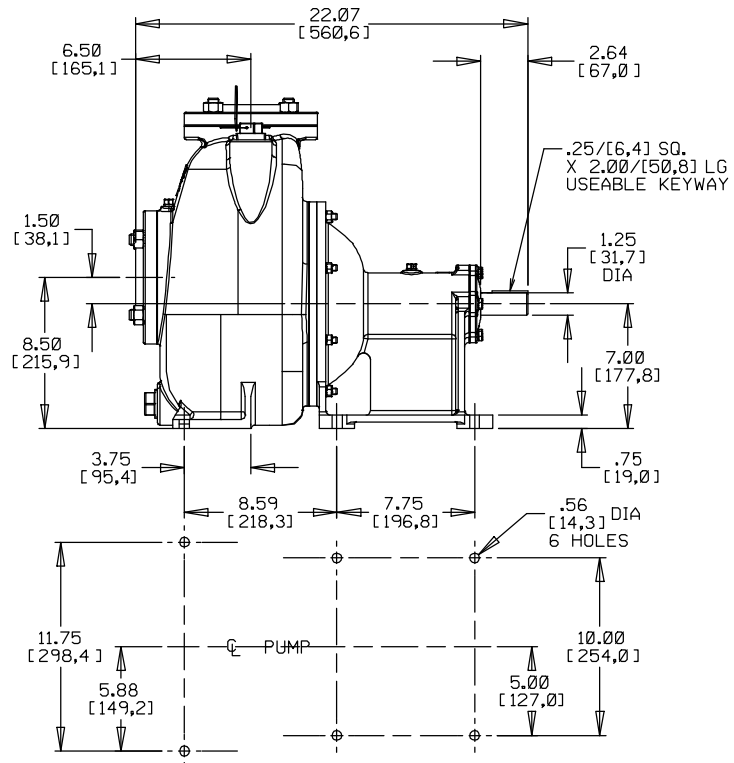
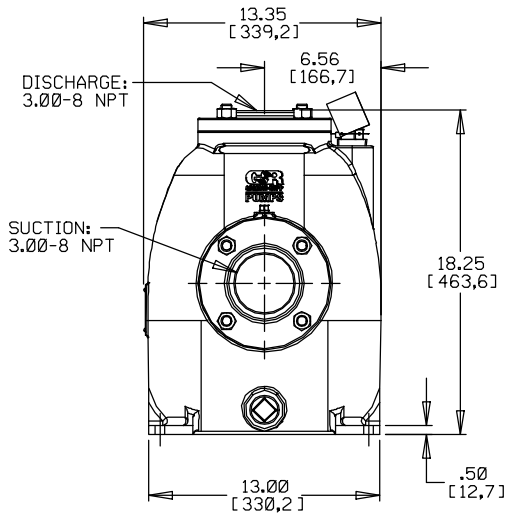
**Specification Data**

APPROXIMATE  
DIMENSIONS and WEIGHTS

NET WEIGHT:  
SHIPPING WEIGHTS:  
EXPORT CRATE:

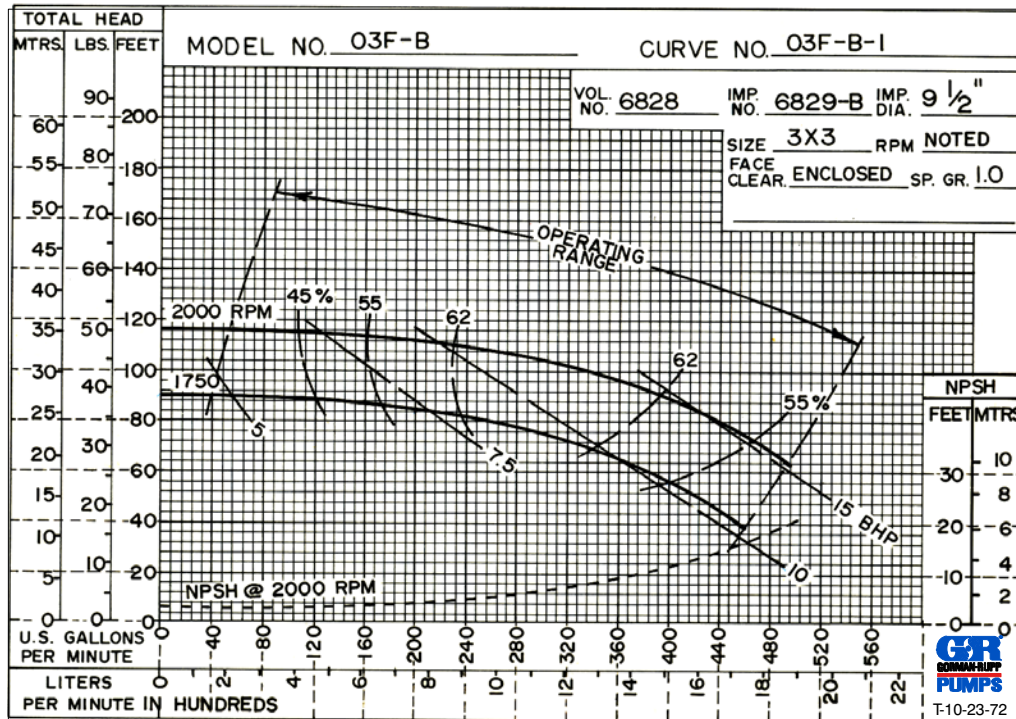
198 LBS. (89,8 KG.)  
208 LBS. (94,3 KG.)  
8.6 CU. FT. (0,24 CU. M.)

SECTION 30, PAGE 1502



DIMENSIONS:  
INCHES  
[MILLIMETERS]

**MULTI-SPEED  
CURVE  
PERFORMANCE  
BASED ON  
WATER**



**GORMAN-RUPP PUMPS**

www.grpumps.com

Specifications Subject to Change Without Notice

Printed in U.S.A.