

# Self Priming Centrifugal Pump

## Model U6A60S-B

### Size 6" x 6"

*Super*  
**U SERIES**  
VARIOUS PATENTS APPLY



#### PUMP SPECIFICATIONS

**Size:** 6" (152 mm) Flange Suction x 6" (152 mm) NPT Female Discharge.

**Casing:** Gray Iron 30.

Maximum Operating Pressure 123 psi (848 kPa).\*

**Semi-Open Type, Five Vane Impeller:** Ductile Iron 65-45-12.

Handles 1 1/4" (31,7 mm) Diameter Spherical Solids.

**Impeller Shaft:** Alloy Steel 4150.

**Replaceable Wear Plate:** Gray Iron 30.

**Removable Adjustable Cover Plate:** Gray Iron 30; 80 lbs. (36 kg).

**Suction Extension Pipe:** Schedule 40 Steel w/Gray Iron Flange.

**Bearing Housing:** Gray Iron 30.

**Seal Plate:** Gray Iron 30.

**Shaft Sleeve:** Alloy Steel 4130.

**Radial and Thrust Bearings:** Open Double Row Ball.

**Bearing and Seal Cavity Lubrication:** SAE 30 Non-Detergent Oil.

**Flanges:** Gray Iron 30.

**Gaskets:** Cork, Rubber, PTFE and Buna-N w/Compressed Synthetic Fibers.

**O-Rings:** Buna-N.

**Hardware:** Standard Plated Steel.

**Brass Pressure Relief Valve.**

**Victaulic® Suction Coupling.**

**Bearing and Seal Cavity Oil Level Sight Gauges.**

**Optional Equipment:** Stainless Steel 316 Pressure Relief Valve. G-R Hard Iron Impeller, Seal Plate and Wear Plate. Automatic Air Release Valve. 120V/240V Casing Heater. High Pump Temperature Shutdown Kit. Permalon, Kalrez or Fluorocarbon Metal Bellows Seals. Stainless Steel Cartridge Seal.

6" ASA Gray Iron 30 Discharge Spool Flange:

(Specify Model U6A60S-B /F).

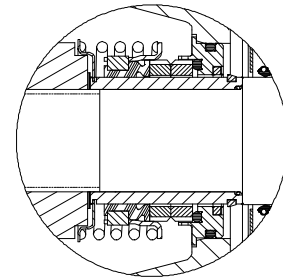
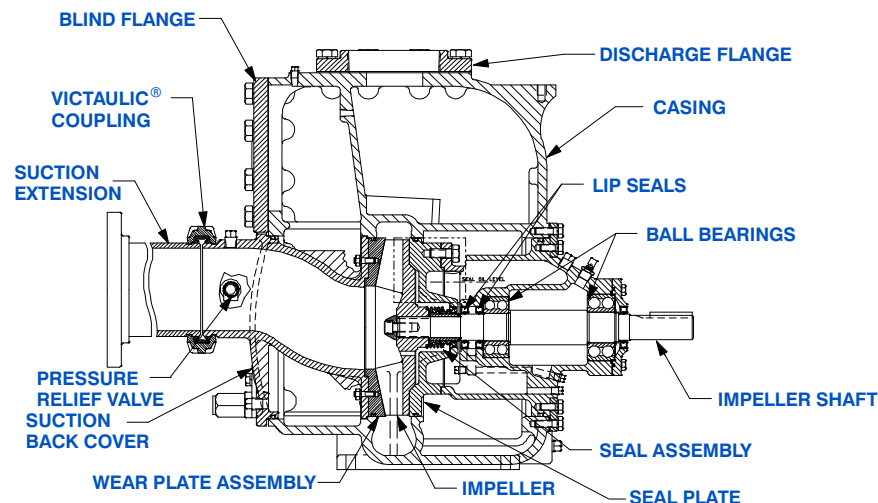
150 mm DIN 2527 (PN 16) Gray Iron 30 Suction and Discharge Spool Flanges:

\*Consult Factory for Applications Exceeding Maximum Pressure and/or Temperature Indicated.

Victaulic is a Registered Trademark of Victaulic Company of America.



Shown w/Optional  
Discharge Spool Flange



#### SEAL DETAIL

Cartridge Type, Mechanical, Oil-Lubricated, Double Floating, Self-Aligning. Silicon Carbide Rotating and Stationary Faces. Stainless Steel 316 Stationary Seat. Fluorocarbon Elastomers (DuPont Viton® or Equivalent). Stainless Steel 18-8 Cage and Spring. Maximum Temperature of Liquid Pumped, 160°F (71°C).\*



## GORMAN-RUPP PUMPS

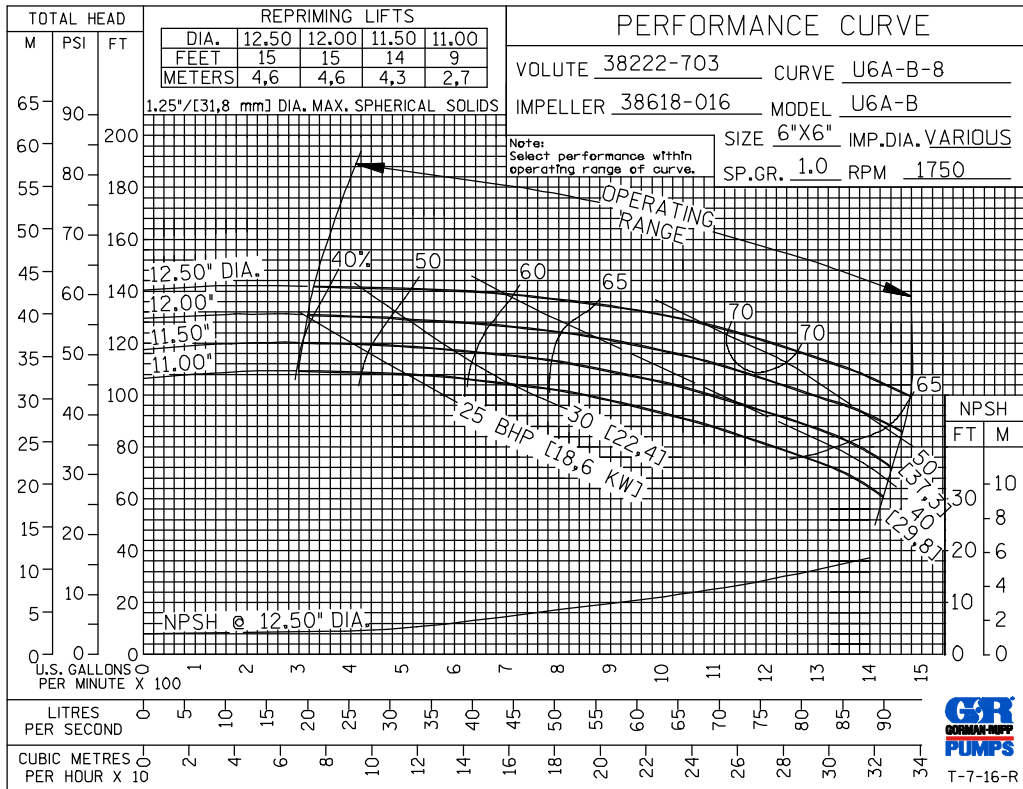
www.grpumps.com

Specifications Subject to Change Without Notice

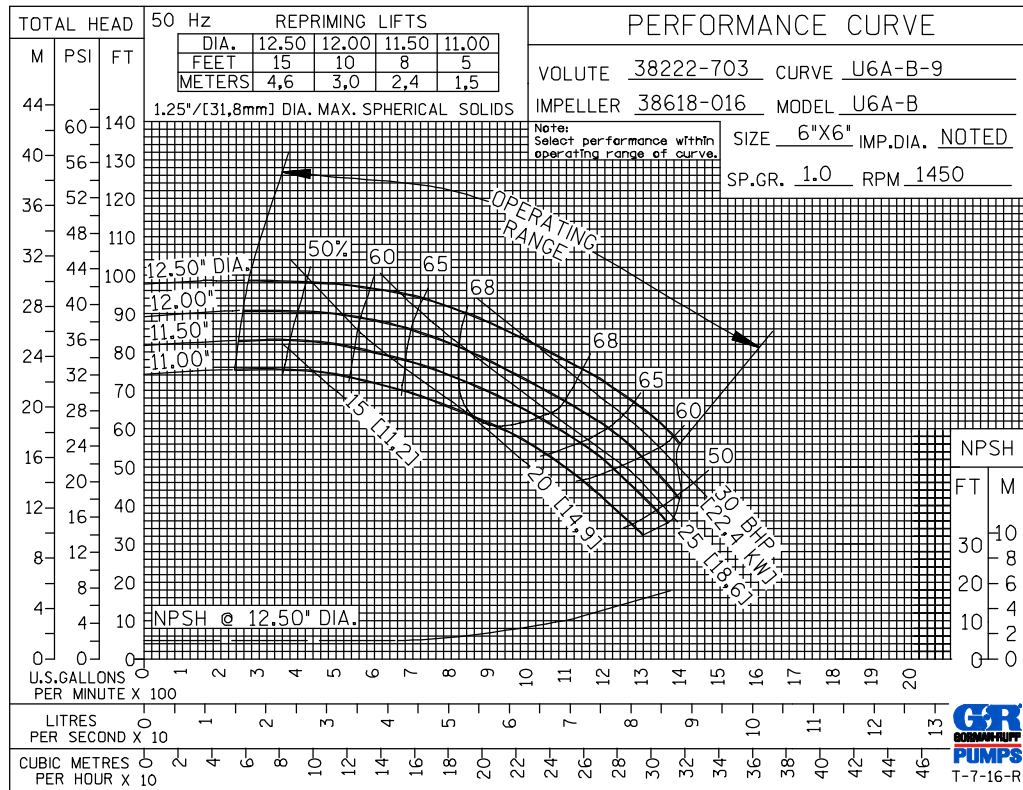
Printed in U.S.A.



PERFORMANCE  
BASED ON  
WATER



50 HERTZ  
PERFORMANCE  
BASED ON  
WATER



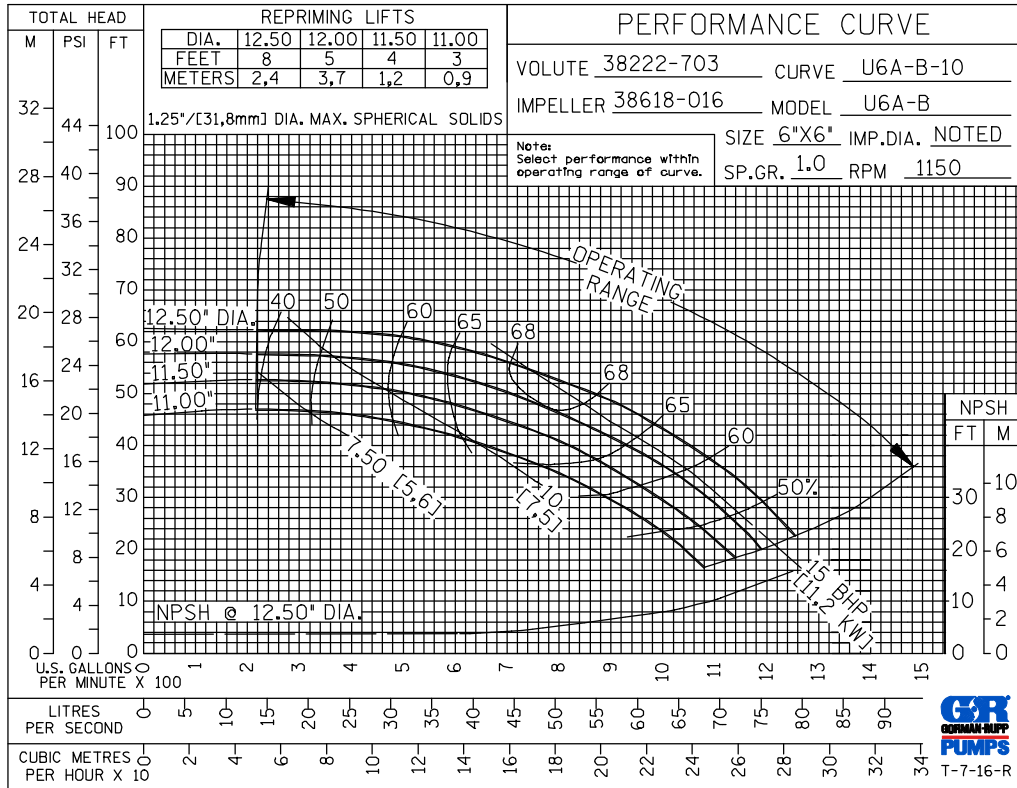
GORMAN-RUPP PUMPS

www.grpumps.com

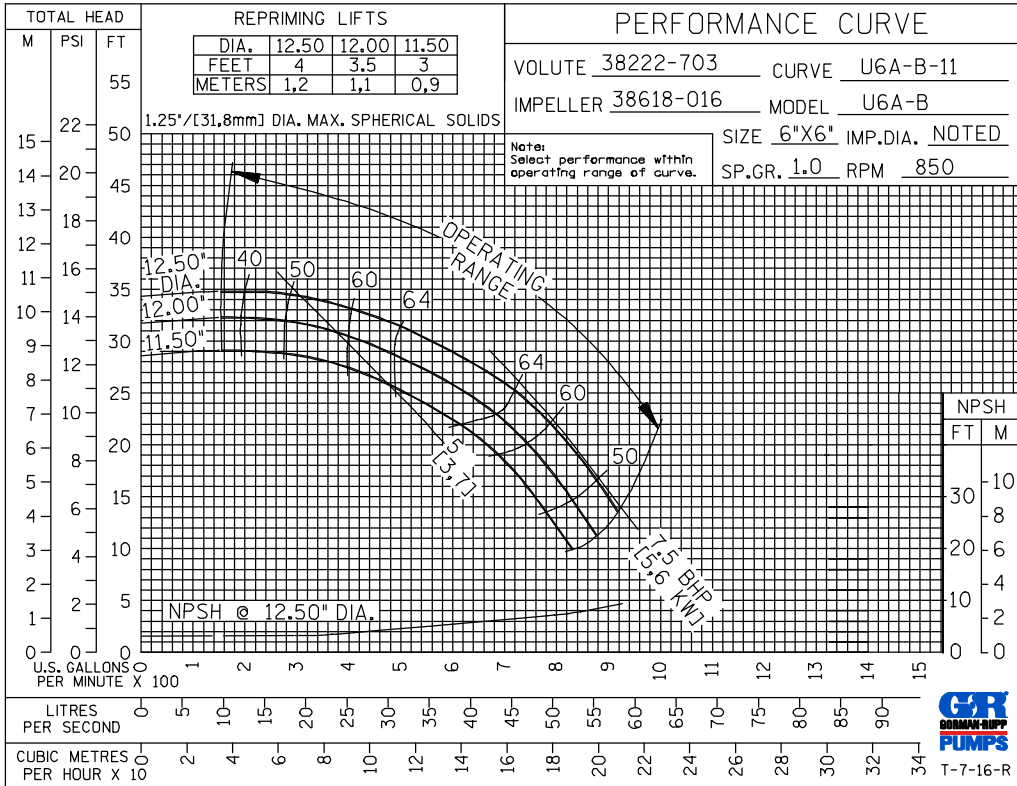
Specifications Subject to Change Without Notice

Printed in U.S.A.

PERFORMANCE  
BASED ON  
WATER



50 HERTZ  
PERFORMANCE  
BASED ON  
WATER



GORMAN-RUPP PUMPS

www.grpumps.com

Specifications Subject to Change Without Notice

Printed in U.S.A.