

SPECIFICATION DATA

Super
T SERIES

BASIC PUMP
EQUIPPED WITH

ERADICATOR
Solids Management System

SELF-PRIMING CENTRIFUGAL PUMP



Model: T2C3SC-B

Various Patents Apply

Pump Specifications

Size	2" x 2" (51 mm x 51 mm) NPT - Female
Impeller Type	Semi-Open, Two Vane
Solids-Handling Capability	1.50" (38,1 mm) Spherical Diameter
Seal Type	Mechanical, Oil-Lubricated, Double Floating, Self-Aligning
Radial Bearing	Open Single Row Ball
Thrust Bearing	Open Double Row Ball
Bearing and Seal Cavity Lubrication	SAE 30 Non-Detergent Oil
Maximum Operating Pressure	79 psi (545 kPa)*
Max Temp of Liquid Pumped	160°F (71°C).*

Pump Materials

Casing	Gray Iron 30
Impeller	Ductile Iron 65-45-12
Impeller Shaft	Alloy Steel 4150
Shaft Sleeve	Alloy Steel 4130
Seal: Stationary Face	Tungsten Titanium Carbide
Rotating Face	Tungsten Titanium Carbide
Elastomer	Fluorocarbon FKM, (Viton® or Equivalent)
Replaceable Self Cleaning Wear Plate	Carbon Steel ASTM A36
Removable Adjustable Cover Plate	Gray Iron 30
Removable Inspection Cover Plate	Gray Iron 30 – 3.2 lbs. (1,5 kg.)
Flap Valve	Neoprene with Nylon and Steel Reinforcing
Seal Plate	Gray Iron 30
Bearing Housing	Gray Iron 30
Flanges	Gray Iron 30
Gaskets	Buna-N, Compressed Synthetic Fiber, Vegetable Fiber, PTFE, Cork and Rubber
O-Rings	Buna-N
Hardware	Standard Plated Steel

*Consult Factory for Applications Exceeding Maximum Pressure and/or Temperature Indicated.

Standard Equipment: Brass Pressure Relief Valve, Bearing and Seal Cavity Oil Level Sight Gauges. Eradicator Solids Reduction System with Self-Cleaning Wearplate.

Optional Equipment: Automatic Air Release Valve, Metal Bellows Seal, 120V/240V Casing Heater, High Pump Temperature Shutdown Kit, Drain Kit, Gauge Kit.

Suction and Discharge Spool Flanges:

2" ASA (Specify Model T2C3SC-B /F)

50 mm DIN 2527 – PN 16 (Specify Model T2C3SC-B /FM).



Shown with Optional Suction and Discharge Spool Flanges (Available in ASA or DIN Standard Sizes).

Super T Series With Eradicator Features and Benefits

Easy To Service And Maintain - Pump is mounted above liquid being pumped with only the suction line down in liquid.

Dual Bearing Protection - An atmospheric barrier along with two lip seals provide additional protection of the pump bearings (not available on 2" models).

Inspection Cover - Patented, lightweight inspection cover for easy access to the impeller without removing the entire backcover plate or piping. (2" – 8" models).

Self-Cleaning Wearplate - Incorporating a number of notches and grooves, as well as a revolutionary tooth (tooth used on T3 – T10 models), that helps break up stringy materials and pass them through the pump without impacting performance or interrupting service. This greatly reduces troublesome clogging and expensive downtime.

5 Year Super T Series Warranty

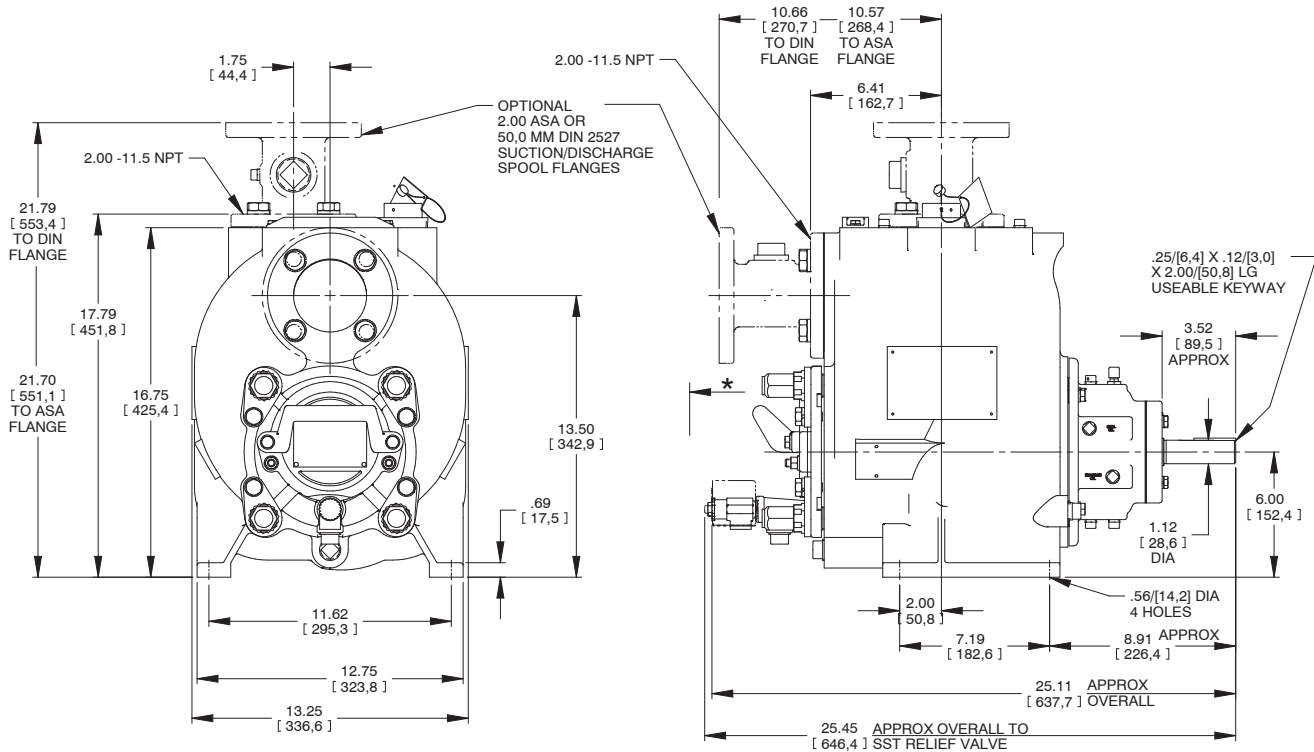
Up To 3" Diameter Spherical Solids Handling (4" – 10" models).

Removable Rotating Assembly - The entire rotating assembly can be removed without disturbing the pump volute or piping allowing the rotating assembly to be easily repaired or quickly replaced with a new ready to drop in assembly.

APPROXIMATE DIMENSIONS AND WEIGHTS

NET WEIGHT	212 LBS. (96 KG.)*
SHIPPING WEIGHT	232 LBS. (105 KG.)*
EXPORT CRATE	7.9 CU. FT. (0,22 CU. M.)

*Add 8 LBS. (3,6 KG.) w/each spool flange



* 18.00/[457,2] RECOMMENDED FOR REMOVAL OF BACK COVER PLATE
 T2CSC-B - 8.50/[215,9] REQUIRED FOR REMOVAL OF BACK COVER PLATE
 T2DS-B / T2ESC-B - 9.50 / [241,3] REQUIRED FOR REMOVAL OF BACK COVER PLATE

