

## SPECIFICATION DATA

*Super*  
**T SERIES**

STAINLESS STEEL BASIC PUMP  
EQUIPPED WITH

**ERADICATOR**  
Solids Management System

## SELF-PRIMING CENTRIFUGAL PUMP



**Model: T2C65SC-B**

Various Patents Apply

### Pump Specifications

Size	2" x 2" (51 mm x 51 mm) NPT - Female
Impeller Type	Semi-Open, Two Vane
Solids-Handling Capability	1.50" (38,1 mm) Spherical Diameter
Seal Type	Mechanical, Oil-Lubricated, Double Floating, Self-Aligning
Radial Bearing	Open Single Row Ball
Thrust Bearing	Open Double Row Ball
Bearing and Seal Cavity Lubrication	SAE 30 Non-Detergent Oil
Maximum Operating Pressure	79 psi (545 kPa)*
Max Temp of Liquid Pumped	160°F (71°C).*

### Pump Materials

Casing	Stainless Steel CD4MCuN
Impeller	Stainless Steel CD4MCuN
Impeller Shaft	Stainless Steel 17-4 PH
Shaft Sleeve	Stainless Steel 316
Seal: Stationary Face	Silicon Carbide
Rotating Face	Silicon Carbide
Elastomer	Fluorocarbon FKM, (Viton® or Equivalent)
Replaceable Self Cleaning Wear Plate	Stainless Steel CD4MCuN
Removable Adjustable Cover Plate	Stainless Steel CD4MCuN
Removable Inspection Cover Plate	Stainless Steel CD4MCuN – 3.2 lbs. (1,5 kg.)
Flap Valve	Fluorocarbon FKM, (Viton® or Equivalent) with Steel Reinforcing
Seal Plate	Stainless Steel CD4MCuN
Bearing Housing	Stainless Steel CD4MCuN
Flanges	Stainless Steel 316
Gaskets	Fluorocarbon FKM, (Viton® or Equivalent)
O-Rings	Fluorocarbon FKM, (Viton® or Equivalent)
Internal Wetted Hardware	Stainless Steel 316
External Hardware	Standard Plated Steel

\*Consult Factory for Applications Exceeding Maximum Pressure and/or Temperature Indicated.

**Standard Equipment:** Stainless Steel 316 Pressure Relief Valve, Bearing and Seal Cavity Oil Level Sight Gauges. Eradicator Solids Reduction System with Self-Cleaning Wearplate.

**Optional Equipment:** Automatic Air Release Valve, 120V/240V Casing Heater, High Pump Temperature Shutdown Kit, Drain Kit, Gauge Kit.

Stainless Steel CD4MCuN Suction and Discharge Spool Flanges:

2" ASA (Specify Model T2C65SC-B /F)

50 mm DIN 2527 – PN 16 (Specify Model T2C65SC-B /FM).



Shown with Optional Suction and Discharge Spool Flanges (Available in ASA or DIN Standard Sizes).

### Super T Series With Eradicator Features and Benefits

**Easy To Service And Maintain** - Pump is mounted above liquid being pumped with only the suction line down in liquid.

**Dual Bearing Protection** - An atmospheric barrier along with two lip seals provide additional protection of the pump bearings (not available on 2" models).

**Inspection Cover** - Patented, lightweight inspection cover for easy access to the impeller without removing the entire backcover plate or piping. (2" – 8" models).

**Self-Cleaning Wearplate** - Incorporating a number of notches and grooves, as well as a revolutionary tooth (tooth used on T3 – T10 models), that helps break up stringy materials and pass them through the pump without impacting performance or interrupting service. This greatly reduces troublesome clogging and expensive downtime.

### 5 Year Super T Series Warranty

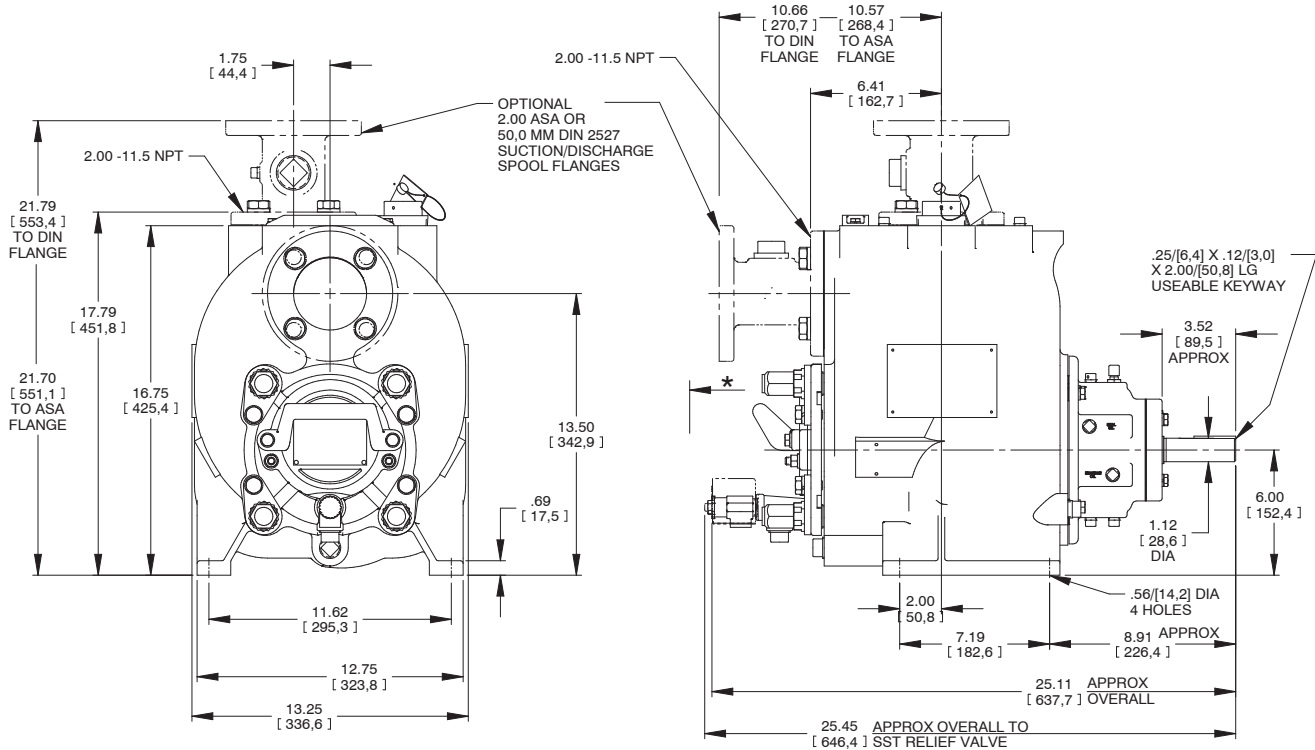
**Up To 3" Diameter Spherical Solids Handling** (4" – 10" models).

**Removable Rotating Assembly** - The entire rotating assembly can be removed without disturbing the pump volute or piping allowing the rotating assembly to be easily repaired or quickly replaced with a new ready to drop in assembly.

**APPROXIMATE DIMENSIONS AND WEIGHTS**

<b>NET WEIGHT</b>	247 LBS. (112 KG.)*
<b>SHIPPING WEIGHT</b>	250 LBS. (113 KG.)*
<b>EXPORT CRATE</b>	7.9 CU. FT. (0,22 CU. M.)

\*Add 9 LBS. (4,1 KG.) w/each spool flange



\* 18.00/[457,2] RECOMMENDED FOR REMOVAL OF BACK COVER PLATE  
 T2CSC-B - 8.50/[215,9] REQUIRED FOR REMOVAL OF BACK COVER PLATE  
 T2DS-B / T2ESC-B - 9.50 / [241,3] REQUIRED FOR REMOVAL OF BACK COVER PLATE

