



G-R HARD IRON FITTED SELF PRIMING CENTRIFUGAL PUMP



Model: T2D71S-B

Various Patents Apply

PUMP SPECIFICATIONS

Size	2" x 2" (51 mm x 51 mm) NPT - Female
Impeller Type	Semi-Open, Two Vane
Solids-Handling Capability	3/4" (19,1 mm) Spherical Diameter
Seal Type	Mechanical, Oil-Lubricated, Double Floating, Self-Aligning
Radial Bearing	Open Single Row Ball
Thrust Bearing	Open Double Row Ball
Bearing and Seal Cavity Lubrication	SAE 30 Non-Detergent Oil
Maximum Operating Pressure	102 psi (703 kPa)*
Max Temp of Liquid Pumped	160°F (71°C).*

PUMP MATERIALS

Casing	Gray Iron 30
Impeller	G-R Hard Iron
Impeller Shaft	Alloy Steel 4150
Shaft Sleeve	Alloy Steel 4130
Seal: Stationary Face	Silicon Carbide
Rotating Face	Silicon Carbide
Elastomer	Fluorocarbon FKM, (Viton® or Equivalent)
Replaceable Wear Plate:	Hardened Alloy Steel
Removable Adjustable Cover Plate	Gray Iron 30
Removable Inspection Cover Plate	Gray Iron 30 – 3.2 lbs. (1,45 kg.)
Flap Valve	Neoprene with Nylon and Steel Reinforcing
Seal Plate	G-R Hard Iron
Bearing Housing	Gray Iron 30
Flanges	Gray Iron 30
Gaskets	Buna-N, Compressed Synthetic Fiber, Vegetable Fiber, PTFE, Cork and Rubber
O-Rings	Buna-N, Fluorocarbon (Viton® or Equivalent)
Hardware	Standard Plated Steel

**Consult Factory for Applications Exceeding Maximum Pressure and/or Temperature Indicated.*

Standard Equipment: Brass Pressure Relief Valve, Bearing and Seal Cavity Oil Level Sight Gauges.

Optional Equipment: Automatic Air Release Valve, 120V/240V Casing Heater, High Pump Temperature Shutdown Kit, Drain Kit, Gauge Kit.

Suction and Discharge Spool Flanges:

2" ASA (Specify Model T2D71S-B /F)

50 mm DIN 2527 – PN 16 (Specify Model T2D71S-B /FM).



Shown with Optional Suction and Discharge Spool Flanges (Available in ASA or DIN Standard Sizes).

Super T Series Features and Benefits

Easy To Service And Maintain - Pump is mounted above liquid being pumped with only the suction line down in liquid.

Dual Bearing Protection – An atmospheric barrier along with two lip seals provide additional protection of the pump bearings (not available on 2" models).

Inspection Cover – Patented, lightweight inspection cover for easy access to the impeller without removing the entire backcover plate or piping. (2" – 8" models)

5 Year Super T Series Warranty

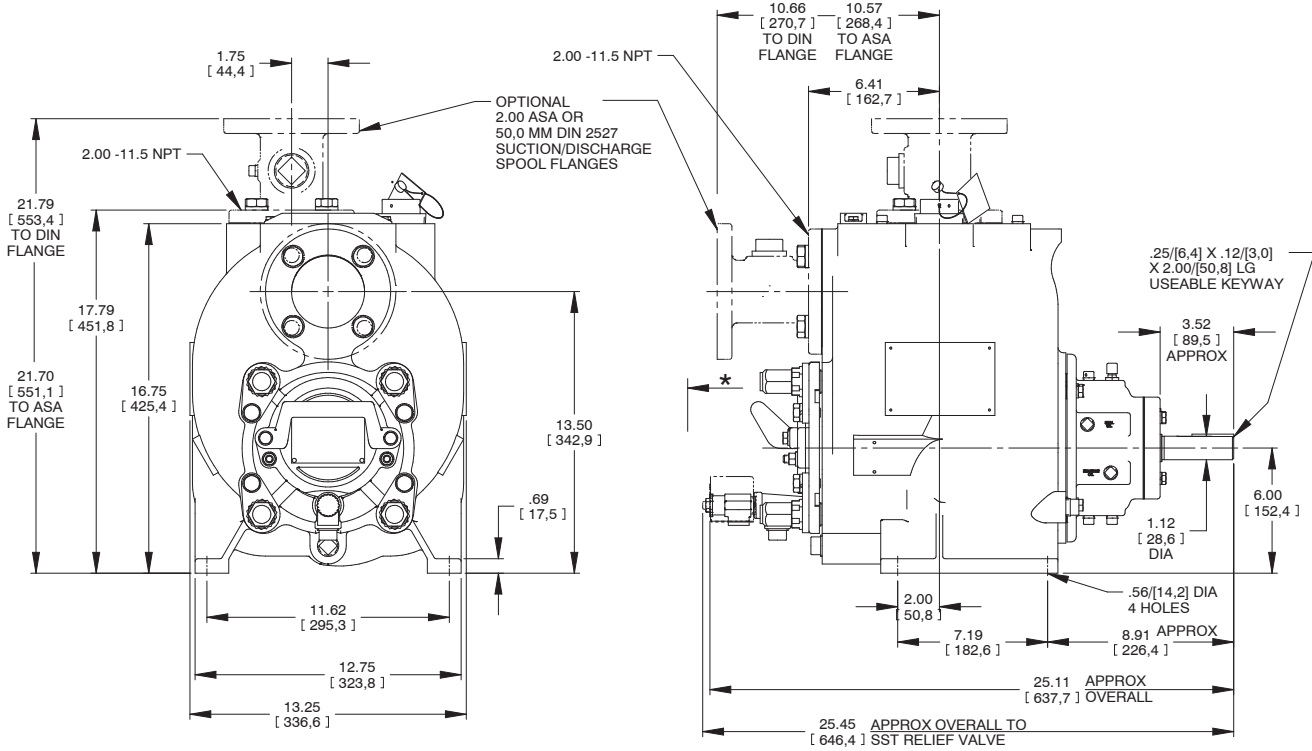
Up To 3" Diameter Spherical Solids Handling (4" – 10" models).

Removable Rotating Assembly – The entire rotating assembly can be removed without disturbing the pump volute or piping allowing the rotating assembly to be easily repaired or quickly replaced with a new ready to drop in assembly.

APPROXIMATE DIMENSIONS AND WEIGHTS

NET WEIGHT	225 LBS. (102 KG.)*
SHIPPING WEIGHT	235 LBS. (107 KG.)*
EXPORT CRATE	7.4 CU. FT. (0,21 CU. M.)

*Add 8 LBS. (3,6 KG.) w/each spool flange



* 18.00[457,2] RECOMMENDED FOR REMOVAL OF BACK COVER PLATE
 T2CSC-B - 8.50[215,9] REQUIRED FOR REMOVAL OF BACK COVER PLATE
 T2DS-B / T2ESC-B - 9.50 / [241,3] REQUIRED FOR REMOVAL OF BACK COVER PLATE

