

## Basic Pedestal

## Standard Centrifugal Pump

Model 6504C60-B

Size 6" x 4"



## PUMP SPECIFICATIONS

**Size:** 6" x 4" (152 mm x 102 mm) Flanged.

**Casing:** Ductile Iron 65-45-12.

Maximum Casing Pressure 294 psi (2027 kPa).\*

Maximum Operating Pressure 250 psi (1723 kPa) at Temperatures up to 100° F (37° C) Based on System Component Limitations.\*

**Enclosed Type, Five Vane Impeller:** Ductile Iron 65-45-12.

Handles 1/2" (12,7 mm) Diameter Spherical Solids.

**Suction Head:** Ductile Iron 65-45-12.

**Suction Spool:** Gray Iron 30.

**Impeller Shaft:** Alloy Steel 4150.

**Replaceable Wear Ring:** Ductile Iron 65-45-12.

**Pedestal:** Gray Iron 30.

**Seal Plate:** Gray Iron 30.

**Shaft Sleeve:** Stainless Steel 303/304.

**Radial Bearing:** Open Single Row Ball.

**Thrust Bearing:** Open Double Row Ball.

**Bearing and Seal Cavity Lubrication:** SAE 30 Non-Detergent Oil.

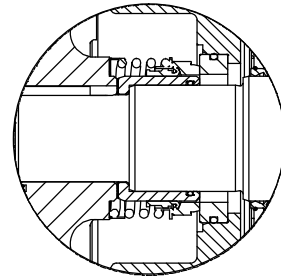
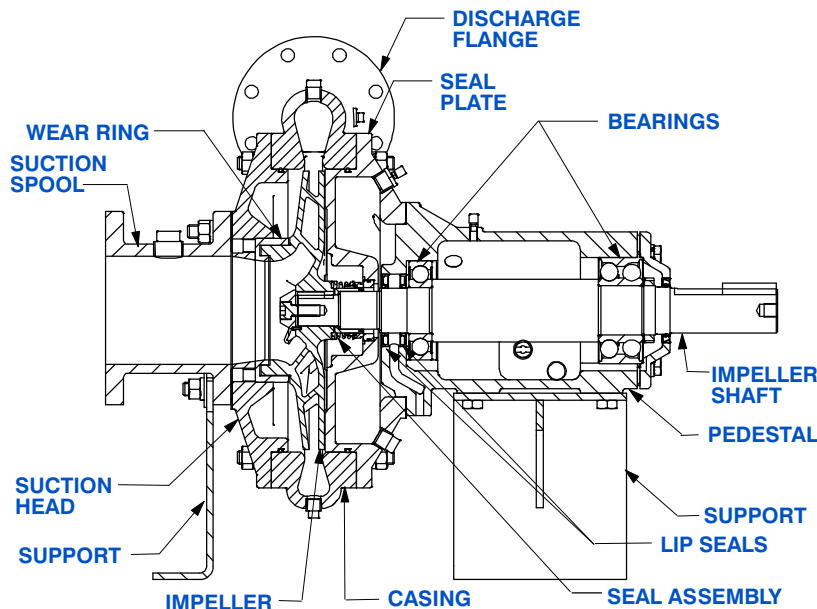
**Gaskets:** Red Rubber and Buna-N.

**O-Rings:** Buna-N.

**Hardware:** Standard Plated Steel.

**Bearing and Seal Cavity Oil Level Sight Gauges.**

*\*Consult Factory for Applications Exceeding Maximum Pressure and/or Temperature Indicated.*



## SEAL DETAIL

Mechanical, Oil-Lubricated. Silicon Carbide Rotating Face and Stationary Seat. Fluorocarbon Elastomers (DuPont Viton® or Equivalent). Stainless Steel 316 Cage and Spring. Maximum Temperature of Liquid Pumped 160° F (71° C).\*



GORMAN-RUPP PUMPS

www.grpumps.com

Specifications Subject to Change Without Notice

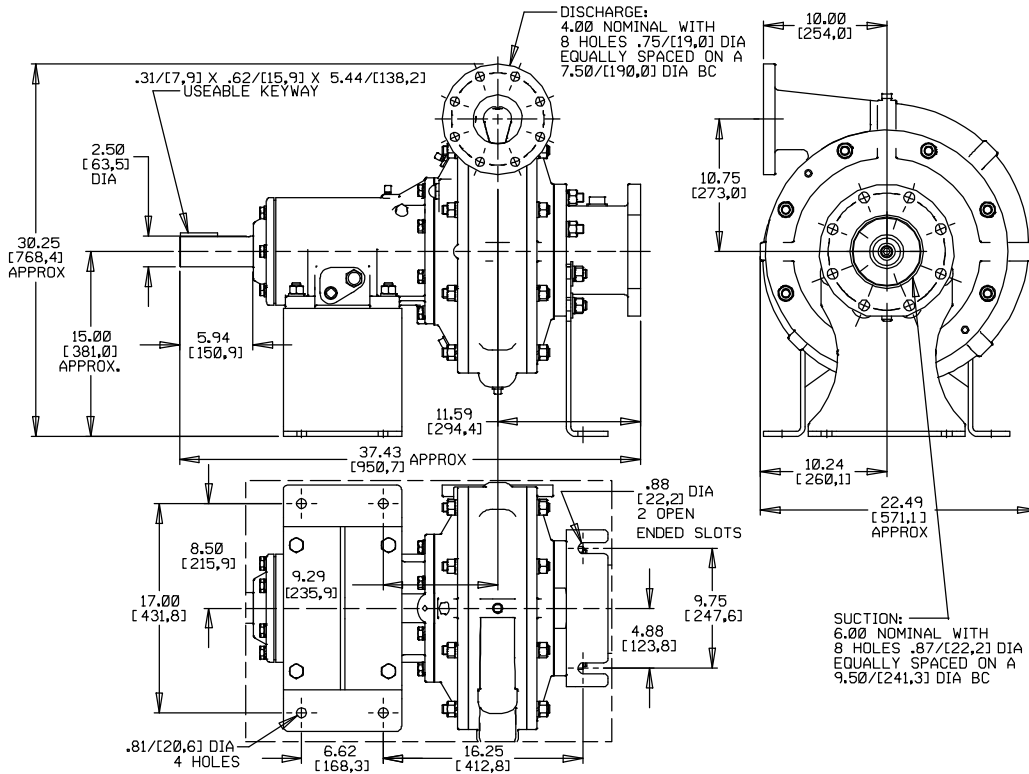
Printed in U.S.A.

**Specification Data**

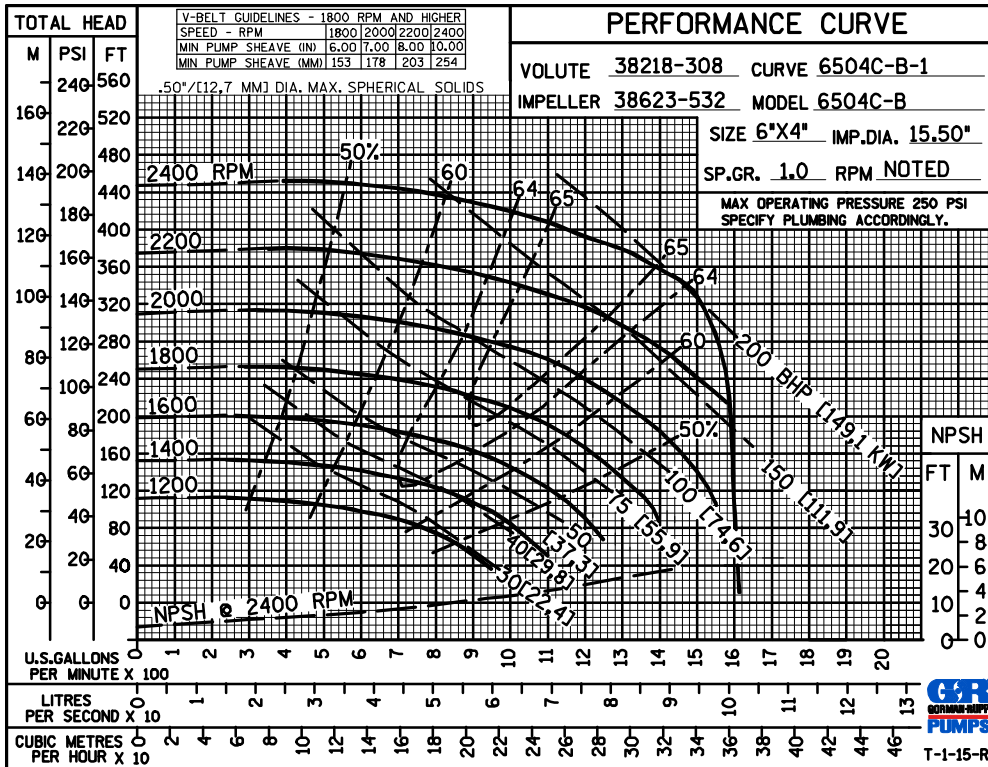
APPROXIMATE  
DIMENSIONS and WEIGHTS

**NET WEIGHT:** 670 LBS. (303,9 KG.)  
**SHIPPING WEIGHT:** 770 LBS. (349,3 KG.)  
**EXPORT CRATE:** 31.9 CU. FT. (0,9 CU. M.)

SECTION 65, PAGE 210



**MULTI-SPEED  
CURVE  
PERFORMANCE  
BASED ON  
WATER**



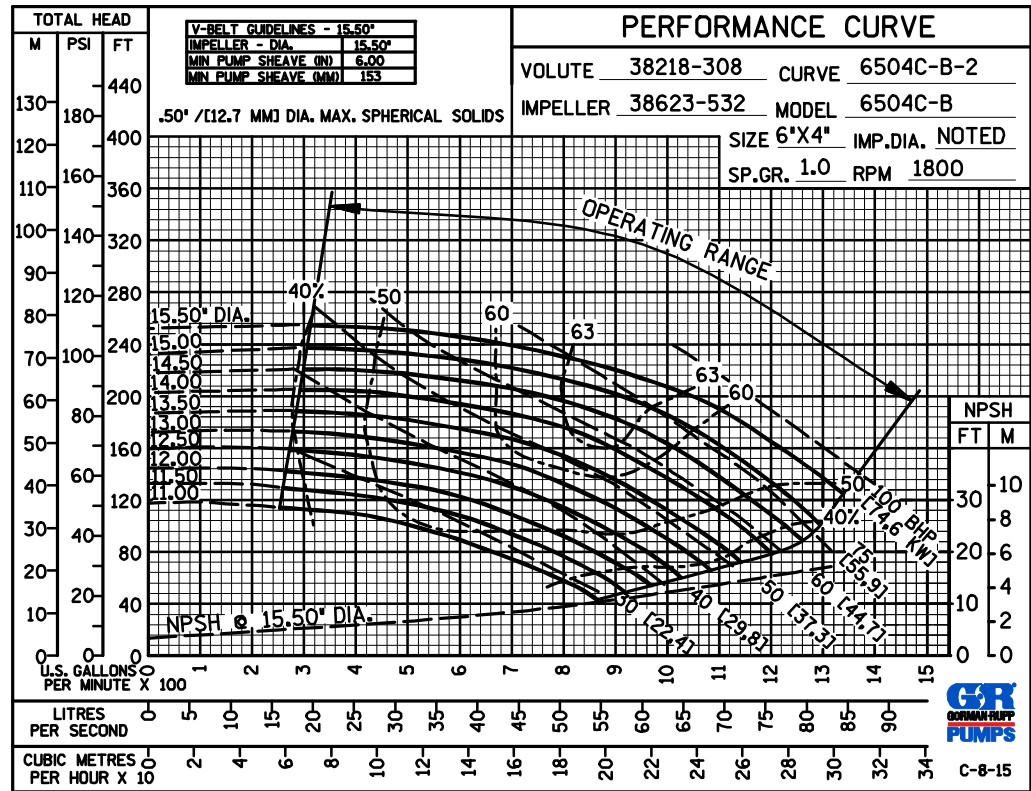
**GORMAN-RUPP PUMPS**

www.grpumps.com

Specifications Subject to Change Without Notice

Printed in U.S.A.

**60 HERTZ  
PERFORMANCE  
BASED ON  
WATER  
TRIMMED  
IMPELLER**



**GORMAN-RUPP PUMPS**

www.grpumps.com

Specifications Subject to Change Without Notice

Printed in U.S.A.