

Basic Pedestal

Standard Centrifugal Pump

Model 6508C60-B

Size 10" x 8"



PUMP SPECIFICATIONS

Size: 10" x 8" (254 mm x 203 mm) Flanged.

Casing: Ductile Iron 65-45-12.

Maximum Operating Pressure 179 psi (1234 kPa).*

Enclosed Type, Two Vane Impeller: Ductile Iron 65-45-12.
Handles 3" (76,2 mm) Diameter Spherical Solids.

Suction Head: Gray Iron 30.

Suction Spool: Gray Iron 30.

Impeller Shaft: Alloy Steel 4150.

Replaceable Wear Ring: Ductile Iron 65-45-12.

Pedestal: Gray Iron 30.

Seal Plate: Gray Iron 30.

Shaft Sleeve: Stainless Steel 303/304.

Radial Bearing: Open Roller.

Thrust Bearing: Open Double Ball.

Bearing and Seal Cavity Lubrication: SAE 30 Non-Detergent Oil.

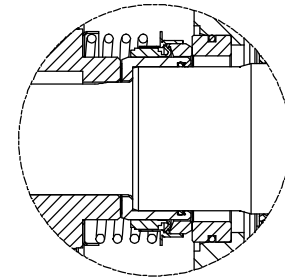
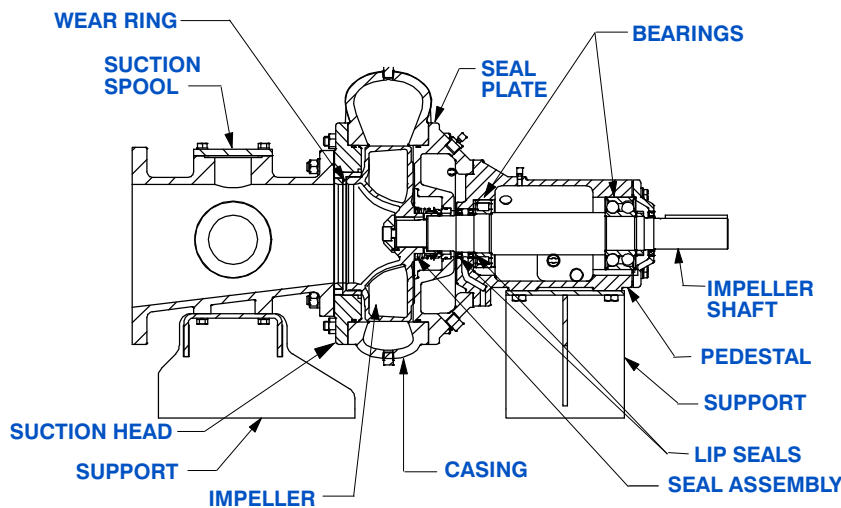
Gaskets: Vegetable Fiber, Red Rubber and Buna-N.

O-Rings: Buna-N.

Hardware: Standard Plated Steel.

Bearing and Seal Cavity Oil Level Sight Gauges.

**Consult Factory for Applications Exceeding Maximum Pressure and/or Temperature Indicated.*



SEAL DETAIL

Mechanical, Oil-Lubricated. Silicon Carbide Rotating Face and Stationary Seat. Fluorocarbon Elastomers (DuPont Viton® or Equivalent). Stainless Steel 316 Cage and Stainless Steel 18-8 Spring. Maximum Temperature of Liquid Pumped 160°F (71°C).*



GORMAN-RUPP PUMPS

www.grpumps.com

Specifications Subject to Change Without Notice

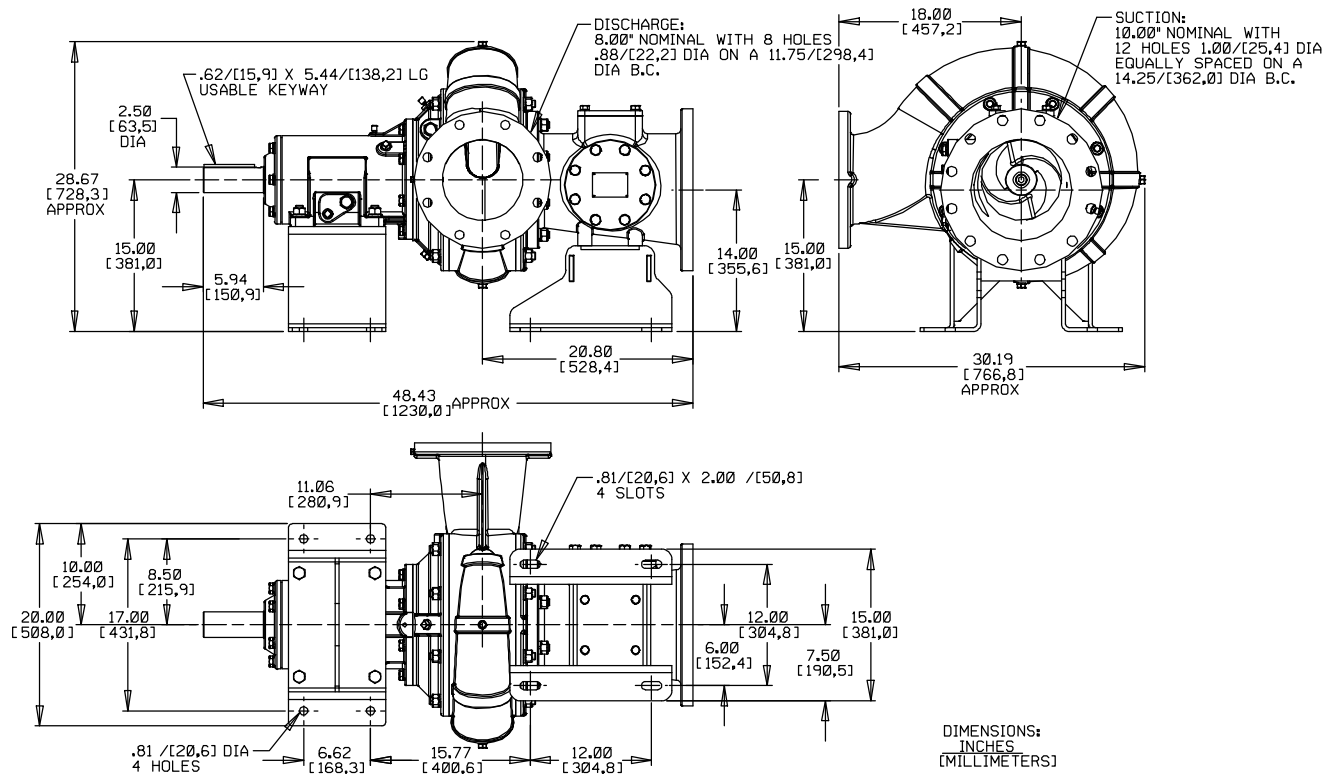
Printed in U.S.A.

Specification Data

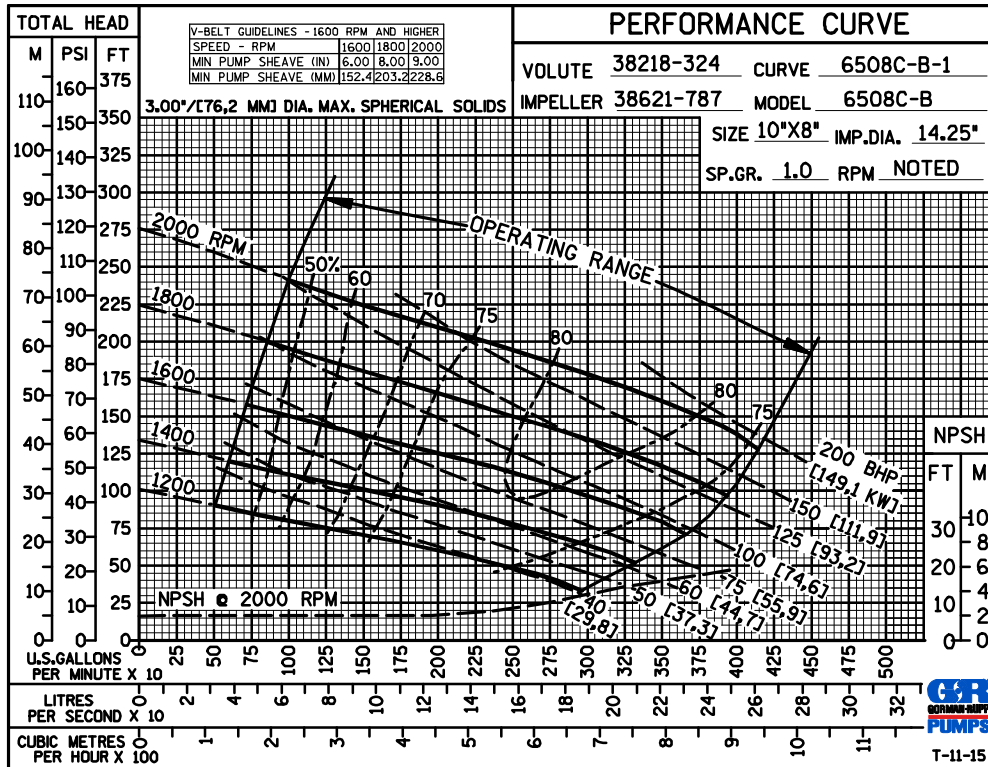
SECTION 65, PAGE 410

APPROXIMATE
DIMENSIONS and WEIGHTS

NET WEIGHT: 850 LBS. (385,6 KG.)
SHIPPING WEIGHT: 950 LBS. (430,9 KG.)
EXPORT CRATE: 36 CU. FT. (1,1 CU. M.)



**MULTI-SPEED
CURVE
PERFORMANCE
BASED ON
WATER**



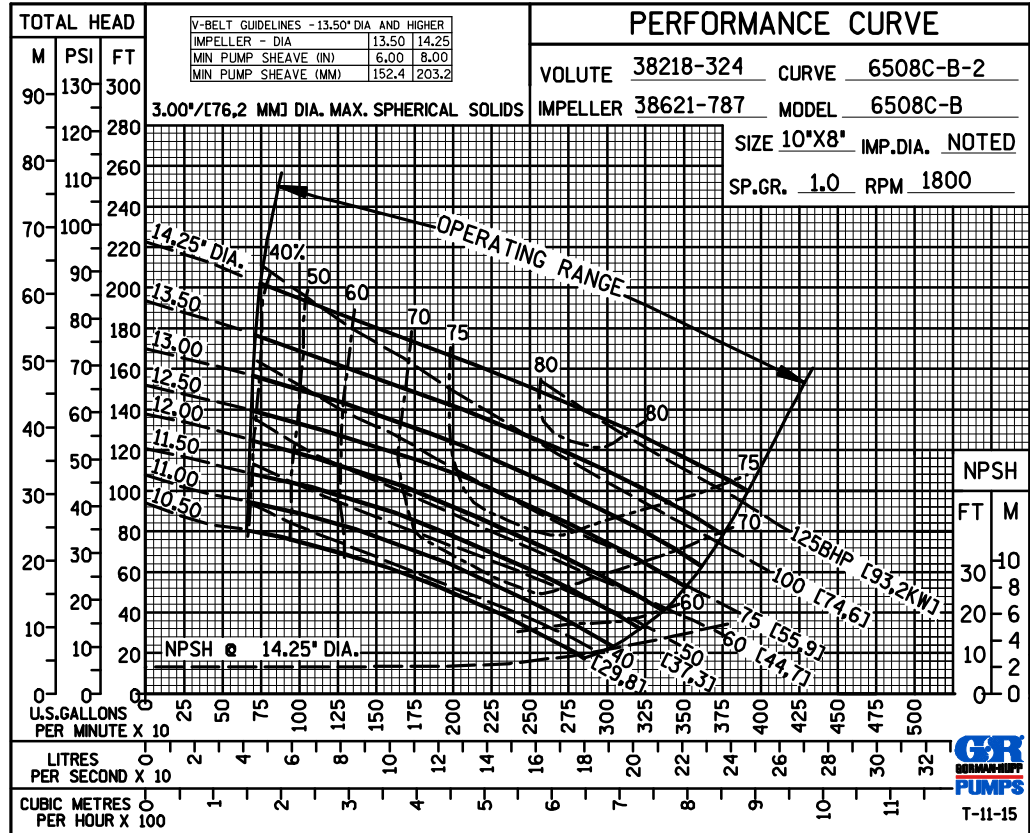
GORMAN-RUPP PUMPS

www.grpumps.com

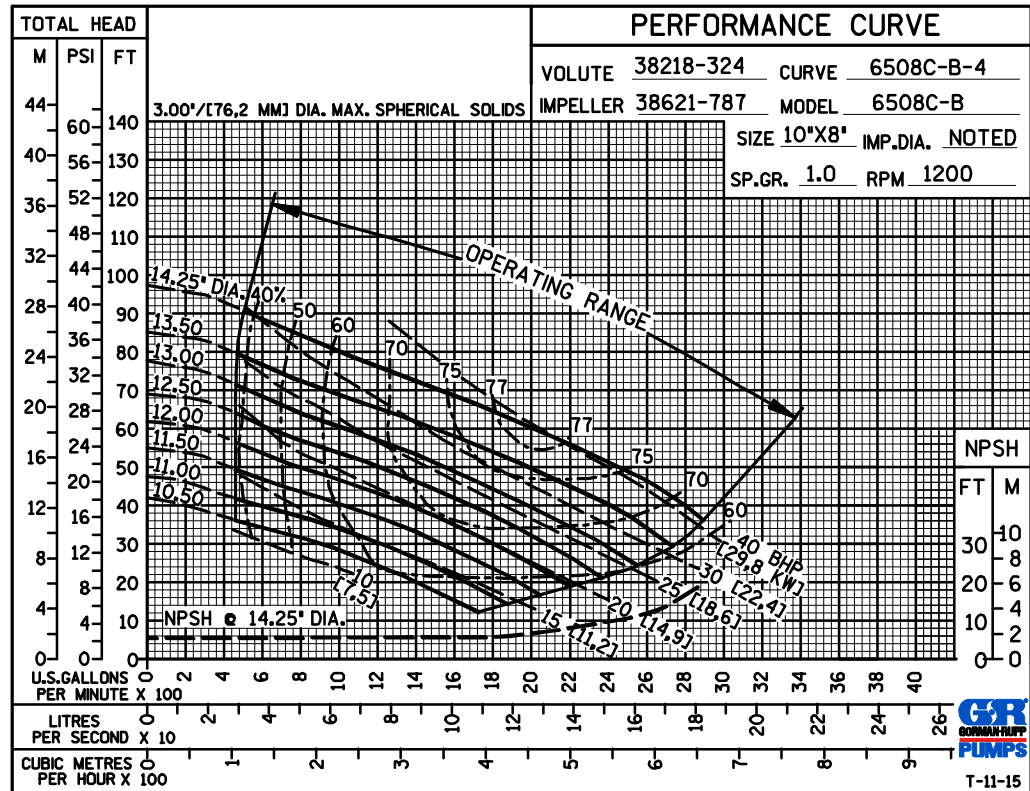
Specifications Subject to Change Without Notice

Printed in U.S.A.

60 HERTZ
PERFORMANCE
BASED ON
WATER
TRIMMED
IMPELLER



60 HERTZ
PERFORMANCE
BASED ON
WATER
TRIMMED
IMPELLER

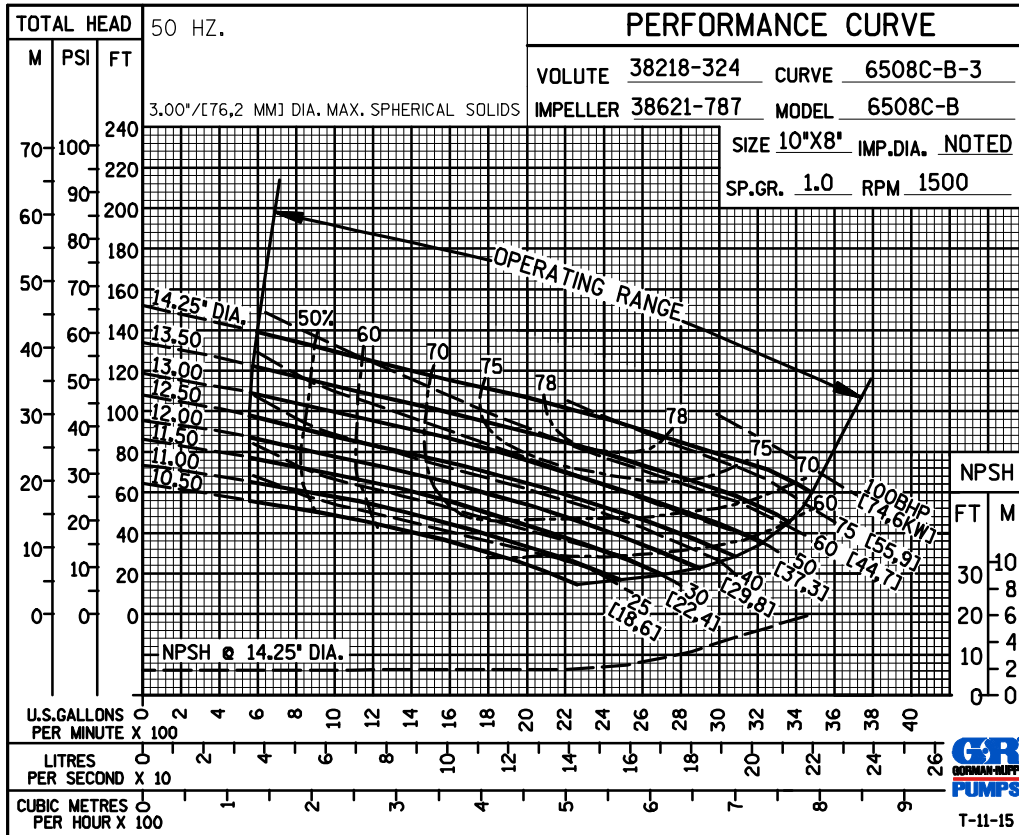


GORMAN-RUPP PUMPS

www.grpumps.com

Specifications Subject to Change Without Notice

Printed in U.S.A.



GORMAN-RUPP PUMPS

www.grpumps.com

Specifications Subject to Change Without Notice

Printed in U.S.A.