

## Basic Pedestal

## Standard Centrifugal Pump

Model 6510A60-B

Size 12" x 10"



## PUMP SPECIFICATIONS

**Size:** 12" x 10" 305 mm x 254 mm) Flanged.

**Casing:** Ductile Iron 65-45-12.

Maximum Casing Pressure 351 psi (2420 kPa).\*

Maximum Operating Pressure 250 psi (1723 kPa) at Temperatures up to 100 F (37 C) Based on System Component Limitations.\*

**Enclosed Type, Four Vane Impeller:** Ductile Iron 80-55-06.

Handles 2" (50,8 mm) Diameter Spherical Solids.

**Suction Spool:** Gray Iron 30.

**Impeller Shaft:** Alloy Steel 4150.

**Replaceable Wear Rings:** Ductile Iron 65-45-12.

**Pedestal:** Gray Iron 30.

**Seal Plate:** Ductile Iron 65-45-12.

**Shaft Sleeve:** Stainless Steel 303/304.

**Radial Bearing:** Open Single Row Ball.

**Thrust Bearing:** Open Double Row Ball.

**Bearing and Seal Cavity Lubrication:** SAE 30 Non-Detergent Oil.

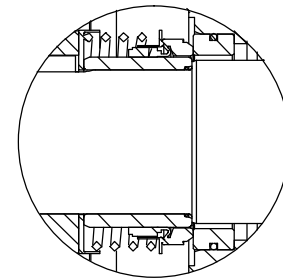
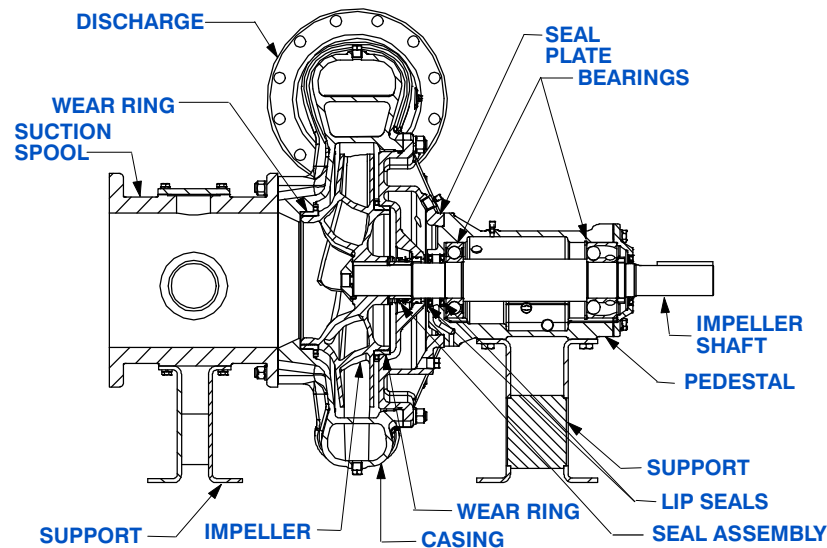
**Gaskets:** Vegetable Fiber, Red Rubber and Buna-N.

**O-Rings:** Buna-N.

**Hardware:** Standard Plated Steel.

**Bearing and Seal Cavity Oil Level Sight Gauges.**

*\*Consult Factory for Applications Exceeding Maximum Pressure and/or Temperature Indicated.*



## SEAL DETAIL

Mechanical, Oil-Lubricated. Silicon Carbide Rotating Face and Stationary Seat. Fluorocarbon Elastomers (DuPont Viton® or Equivalent). Stainless Steel 316 Cage and Stainless Steel 18-8 Spring. Maximum Temperature of Liquid Pumped 160° F (71° C).\*



GORMAN-RUPP PUMPS

www.grpumps.com

Specifications Subject to Change Without Notice

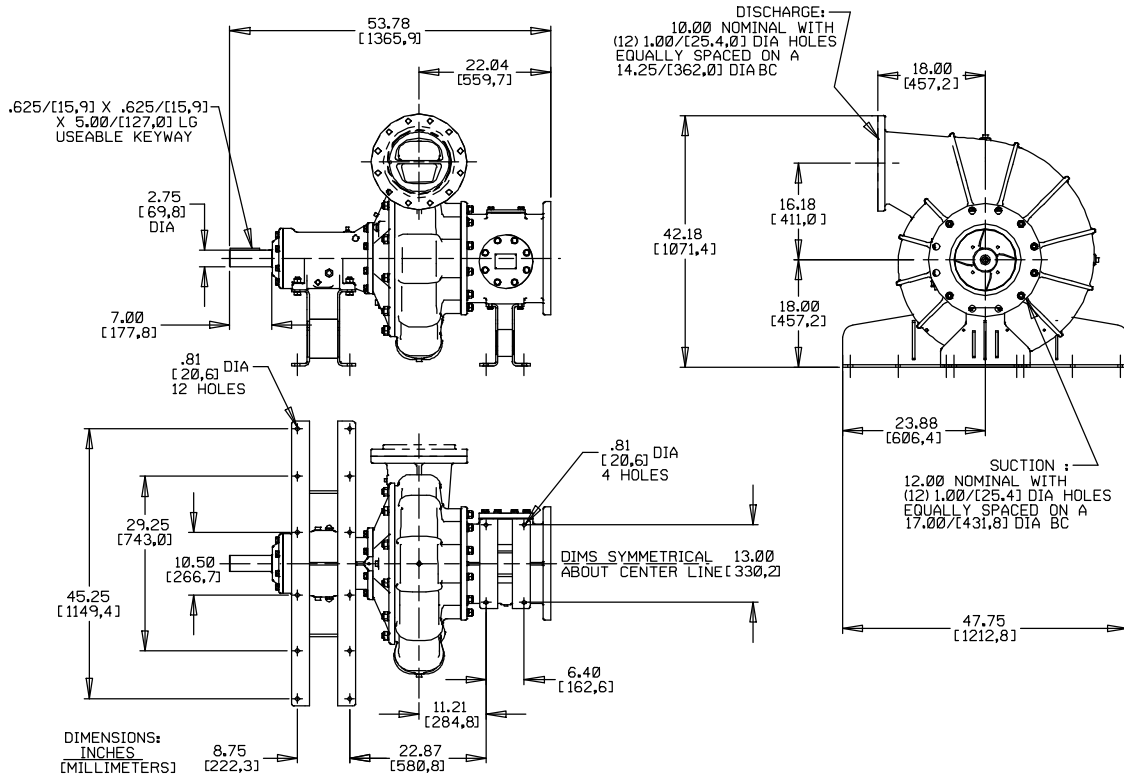
Printed in U.S.A.

**Specification Data**

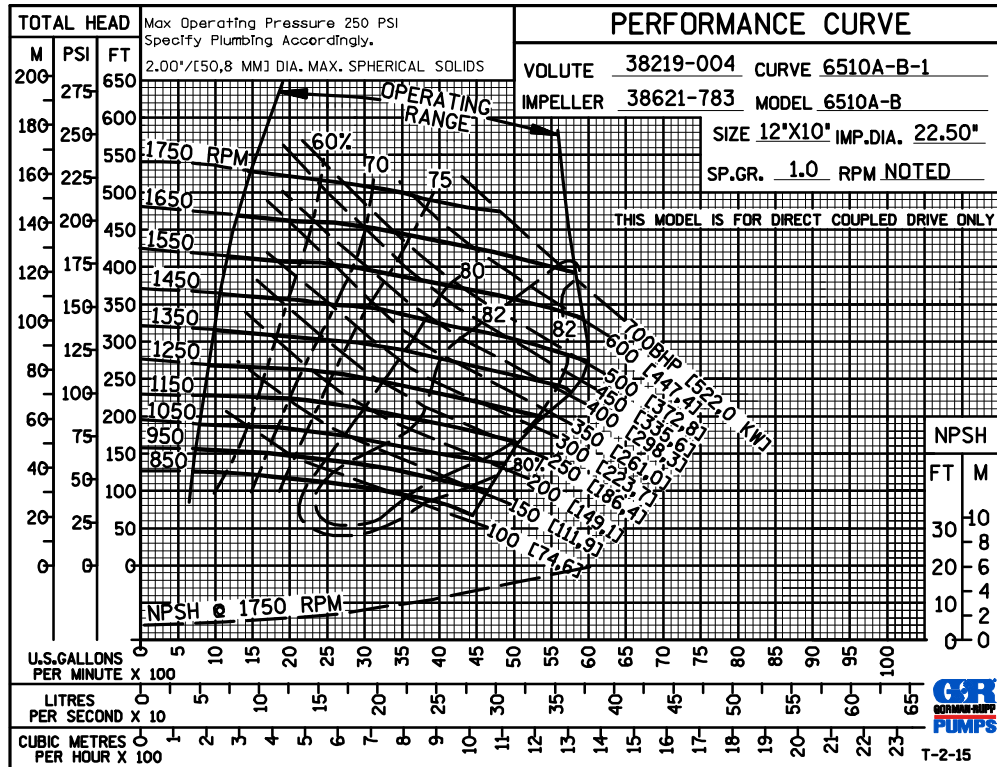
**SECTION 65, PAGE 500**

APPROXIMATE  
DIMENSIONS and WEIGHTS

**NET WEIGHT: 1444 LBS. (654,9 KG.)**  
**SHIPPING WEIGHT: 1744 LBS. (791,1 KG.)**  
**EXPORT CRATE: 89.6 CU. FT. (2,5 CU. M.)**



**MULTI-SPEED  
CURVE  
PERFORMANCE  
BASED ON  
WATER**



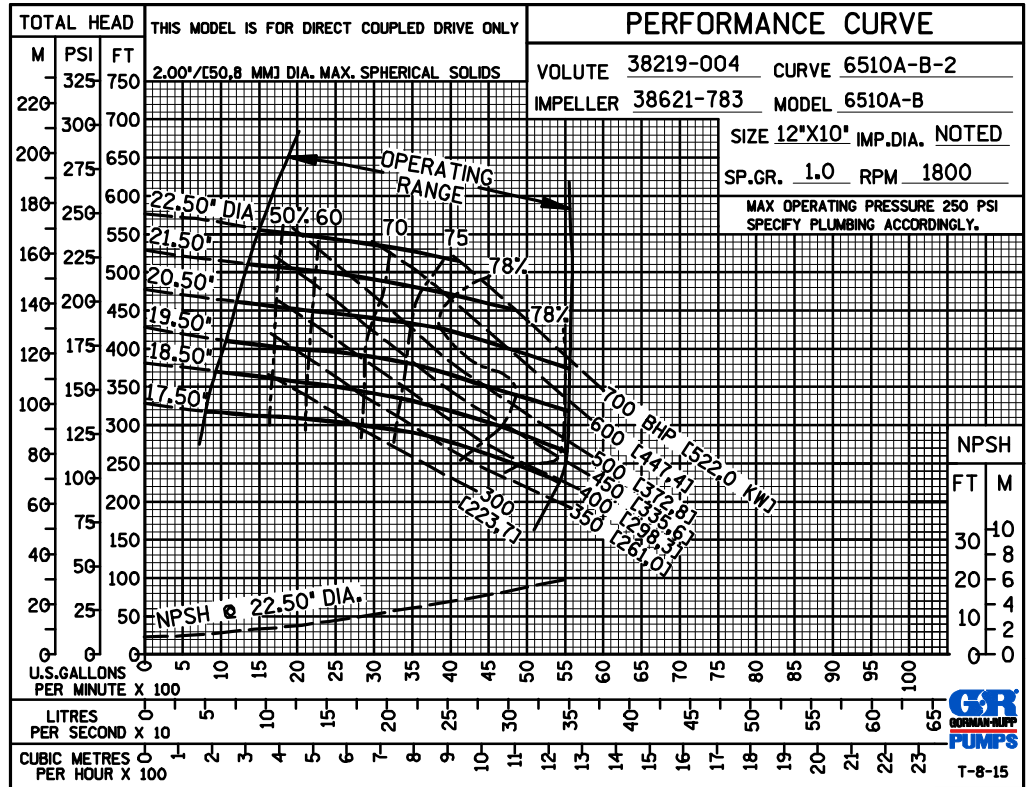
**GORMAN-RUPP PUMPS**

www.grpumps.com

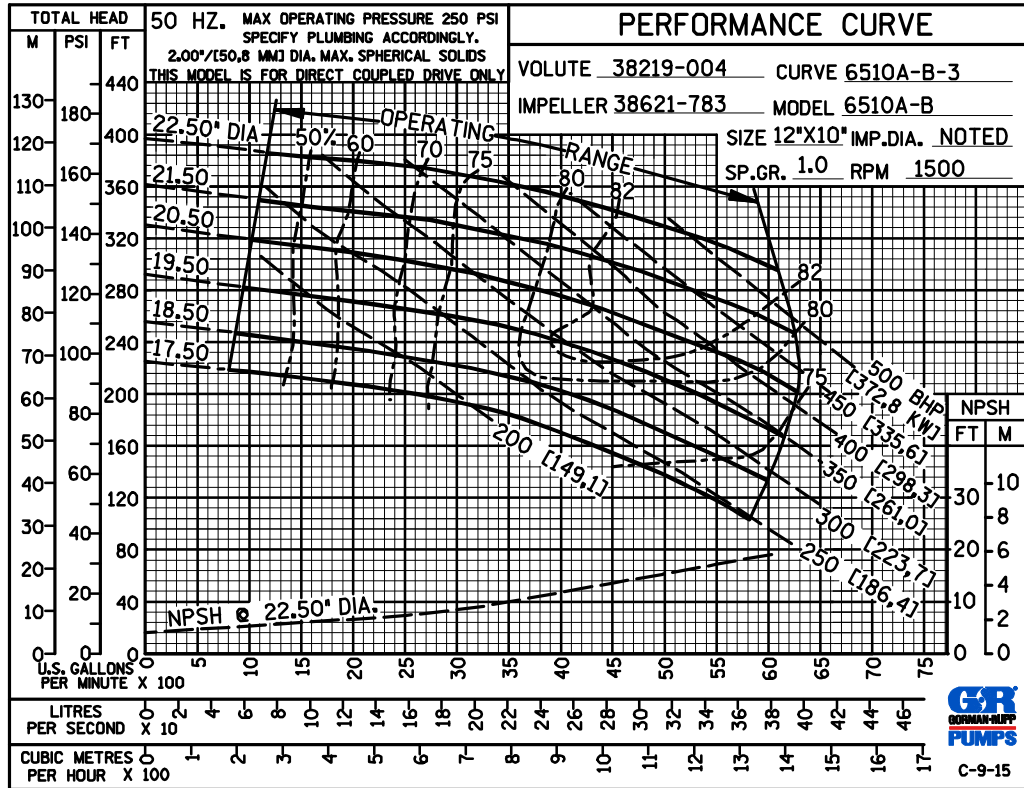
Specifications Subject to Change Without Notice

Printed in U.S.A.

60 HERTZ  
PERFORMANCE  
BASED ON  
WATER  
TRIMMED  
IMPELLER



50 HERTZ  
PERFORMANCE  
BASED ON  
WATER  
TRIMMED  
IMPELLER



GORMAN-RUPP PUMPS

www.grpumps.com

Specifications Subject to Change Without Notice

Printed in U.S.A.