

## Basic Pedestal

## Standard Centrifugal Pump

Model 6514B60-B

Size 14" x 14"



## PUMP SPECIFICATIONS

**Size:** 14" x 14" (356 mm x 356 mm) Flanged.

**Casing:** Ductile Iron 65-45-12.

Maximum Casing Pressure 100 psi (690 kPa).\*

**Enclosed Type, Four Vane Impeller:** Ductile Iron 80-55-06.

Handles 3-1/2" (88,9 mm) Diameter Spherical Solids.

**Suction Spool:** Gray Iron 30.

**Impeller Shaft:** Alloy Steel 4150.

**Replaceable Wear Ring:** Ductile Iron 65-45-12.

**Pedestal:** Gray Iron 30.

**Seal Plate:** Ductile Iron 65-45-12.

**Shaft Sleeve:** Stainless Steel 303/304.

**Radial Bearing:** Open Roller.

**Thrust Bearing:** Open Double Ball.

**Bearing and Seal Cavity Lubrication:** SAE 30 Non-Detergent Oil.

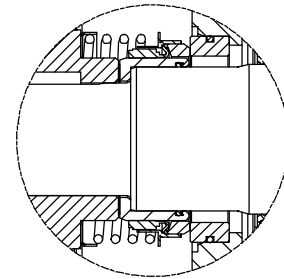
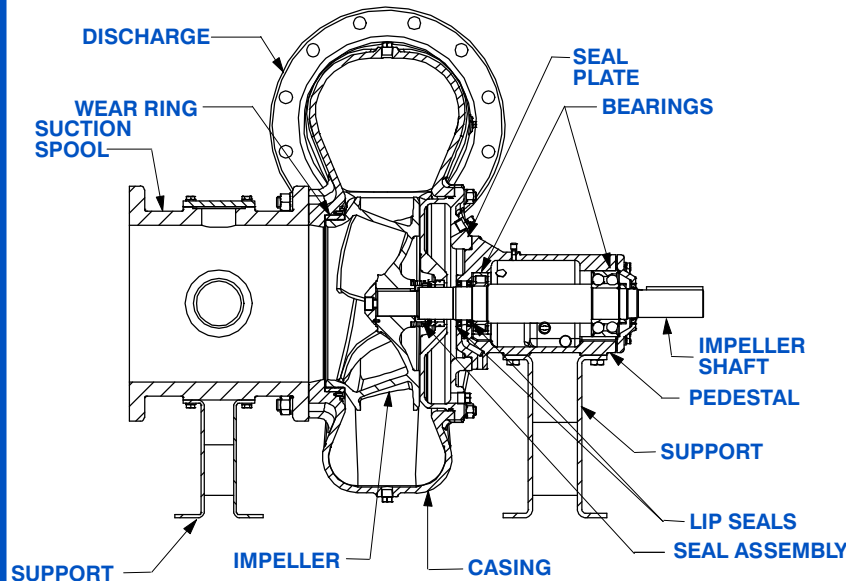
**Gaskets:** Vegetable Fiber, Red Rubber and Buna-N.

**O-Rings:** Buna-N.

**Hardware:** Standard Plated Steel.

**Bearing and Seal Cavity Oil Level Sight Gauges.**

*\*Consult Factory for Applications Exceeding Maximum Pressure and/or Temperature Indicated.*



## SEAL DETAIL

Open Double Mechanical, Oil-Lubricated. Silicon Carbide Rotating Face and Stationary Seat. Fluorocarbon Elastomers (DuPont Viton® or Equivalent). Stainless Steel 316 Cage and Stainless Steel 18-8 Spring. Maximum Temperature of Liquid Pumped 160°F (71°C).\*



GORMAN-RUPP PUMPS

www.grpumps.com

Specifications Subject to Change Without Notice

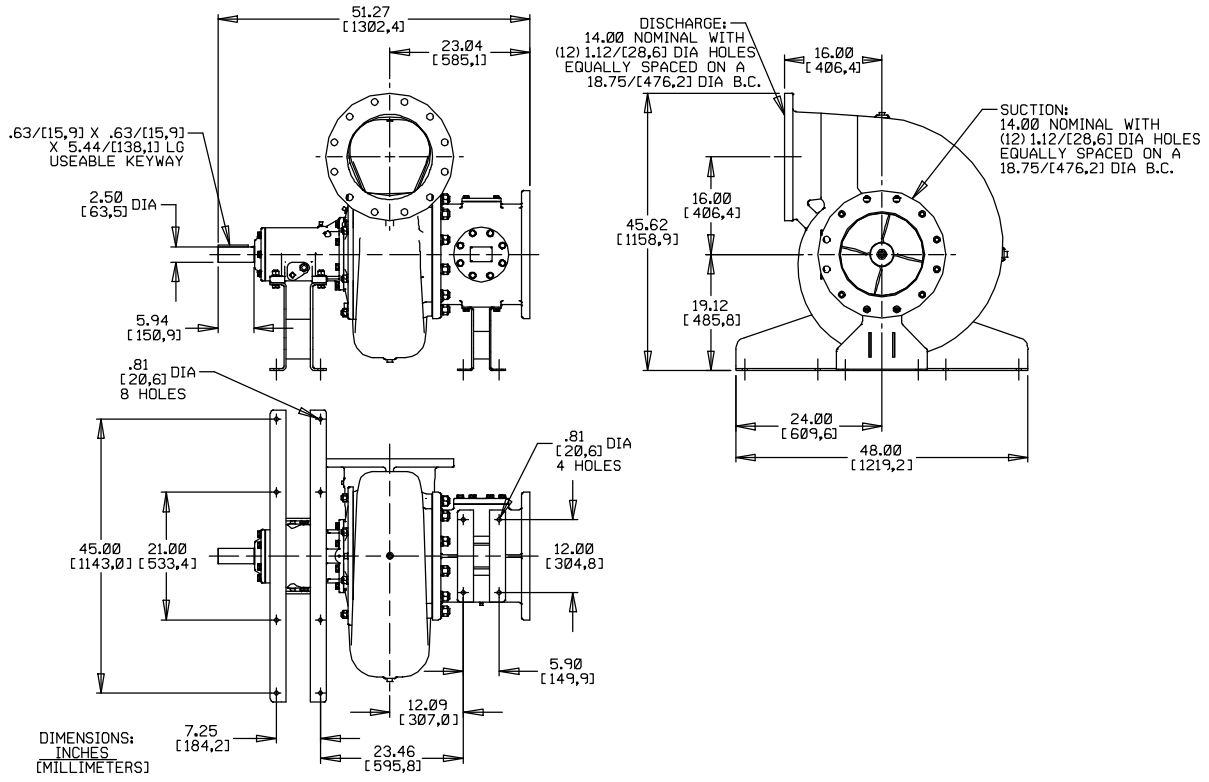
Printed in U.S.A.

**Specification Data**

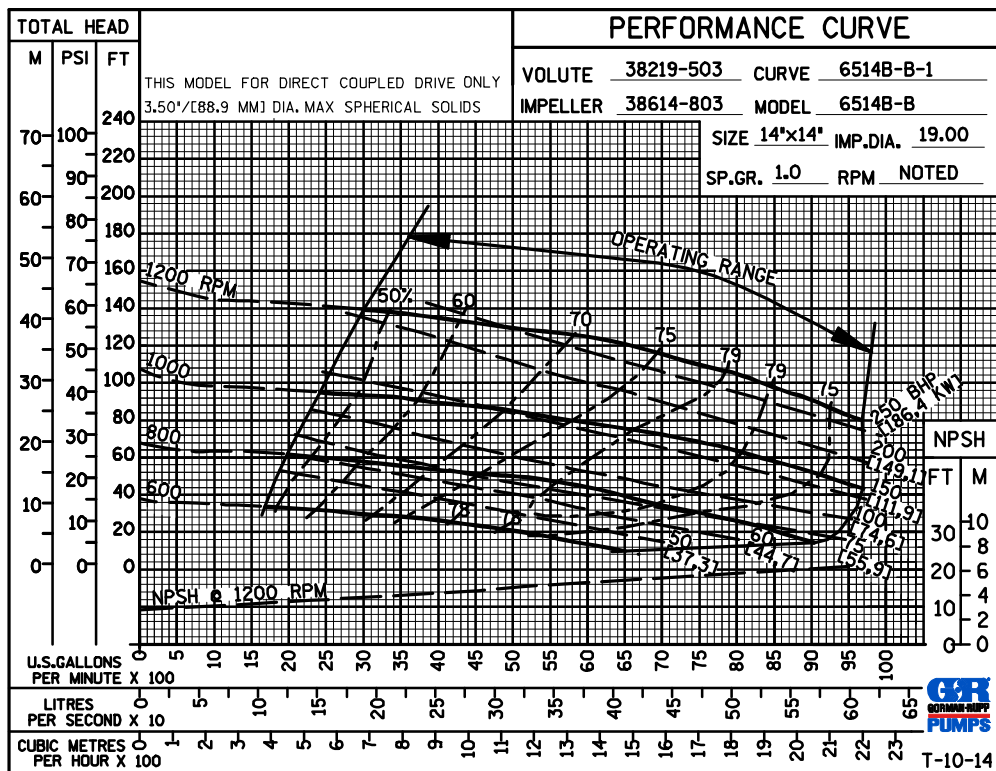
**SECTION 65, PAGE 700**

APPROXIMATE  
DIMENSIONS and WEIGHTS

**NET WEIGHT: 1483 LBS. (672,7 KG.)**  
**SHIPPING WEIGHT: 1683 LBS. (763,4 KG.)**  
**EXPORT CRATE: 92.4 CU. FT. (2,6 CU. M.)**



**MULTI-SPEED  
CURVE  
PERFORMANCE  
BASED ON  
WATER**



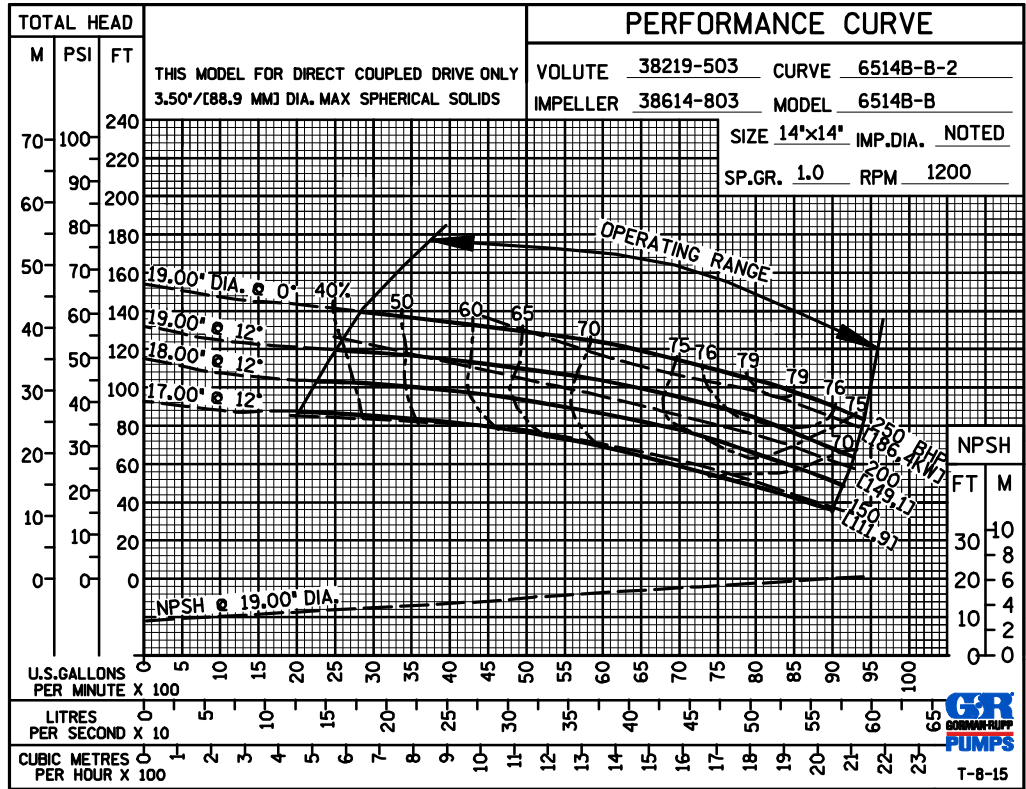
**GORMAN-RUPP PUMPS**

www.grpumps.com

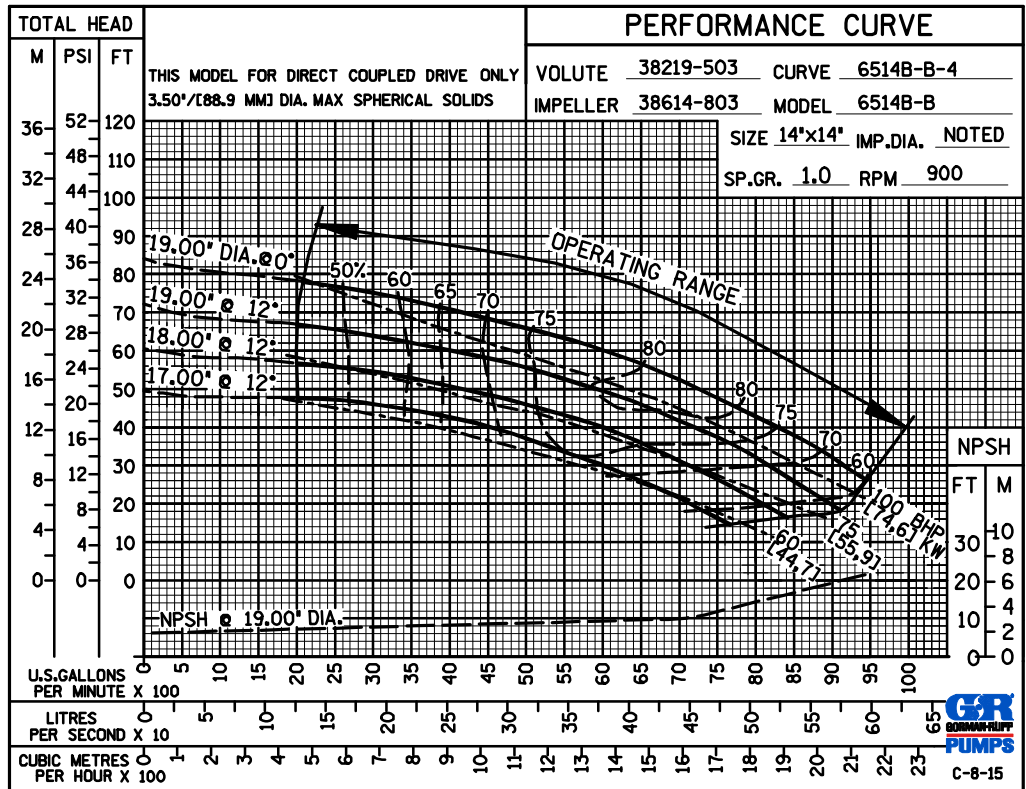
Specifications Subject to Change Without Notice

Printed in U.S.A.

60 HERTZ  
PERFORMANCE  
BASED ON  
WATER  
TRIMMED  
IMPELLER



60 HERTZ  
PERFORMANCE  
BASED ON  
WATER  
TRIMMED  
IMPELLER



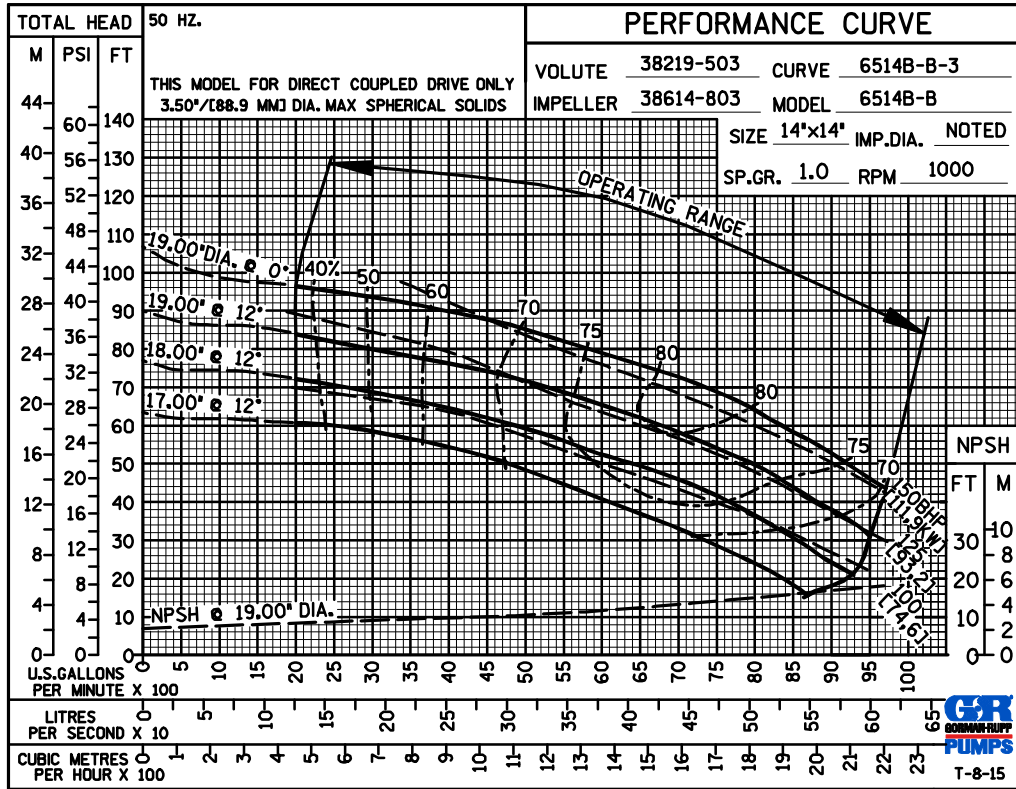
GORMAN-RUPP PUMPS

www.grpumps.com

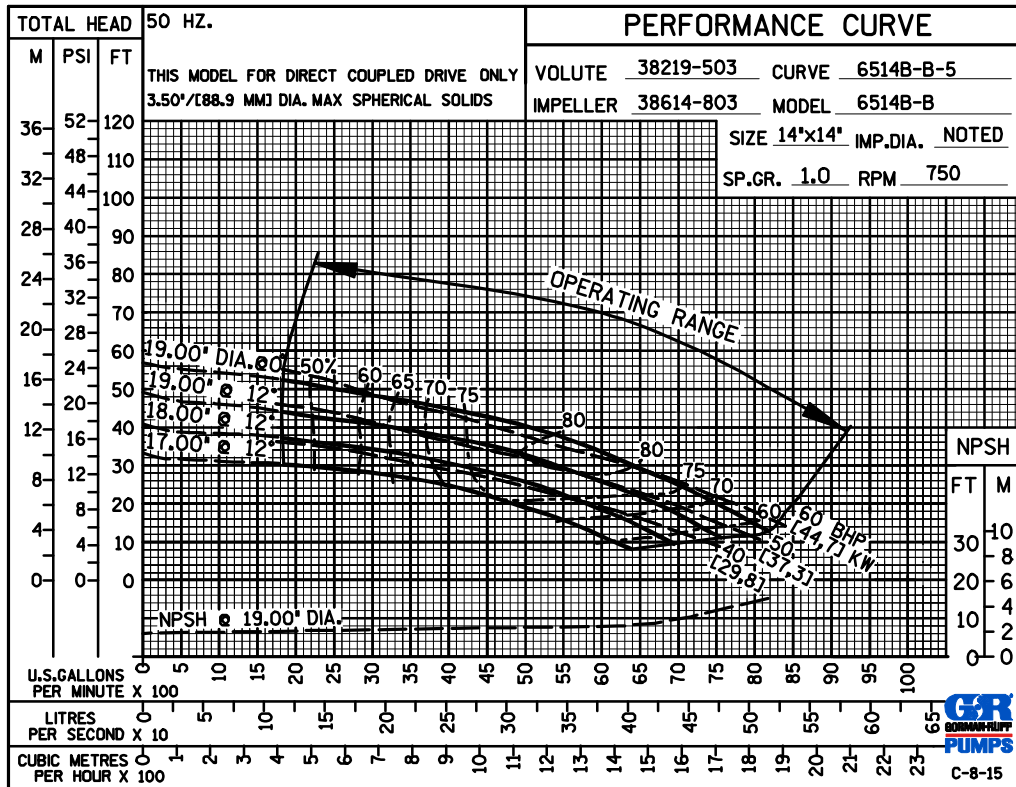
Specifications Subject to Change Without Notice

Printed in U.S.A.

50 HERTZ  
PERFORMANCE  
BASED ON  
WATER  
TRIMMED  
IMPELLER



50 HERTZ  
PERFORMANCE  
BASED ON  
WATER  
TRIMMED  
IMPELLER



GORMAN-RUPP PUMPS

www.grpumps.com

Specifications Subject to Change Without Notice

Printed in U.S.A.