

## Basic Pedestal

## Standard Centrifugal Pump

Model 6516A60-B

Size 18" x 16"



## PUMP SPECIFICATIONS

**Size:** 18" x 16" (457 mm x 406 mm) Flanged.

**Casing:** Ductile Iron 65-45-12.

Maximum Casing Pressure 136 psi (938 kPa).\*

**Enclosed Type, Four Vane Impeller:** Ductile Iron 80-55-06.

Handles 4" (101,6 mm) Diameter Spherical Solids.

**Suction Spool:** Gray Iron 30.

**Impeller Shaft:** Alloy Steel 4150.

**Replaceable Wear Ring:** Ductile Iron 65-45-12.

**Pedestal:** Gray Iron 30.

**Seal Plate:** Ductile Iron 65-45-12.

**Shaft Sleeve:** Stainless Steel 303/304.

**Radial Bearing:** Open Single Row Straight Roller.

**Radial/Thrust Bearing:** Open Double Row Tapered Roller.

**Bearing and Seal Cavity Lubrication:** SAE 30 Non-Detergent Oil.

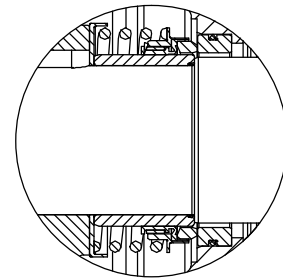
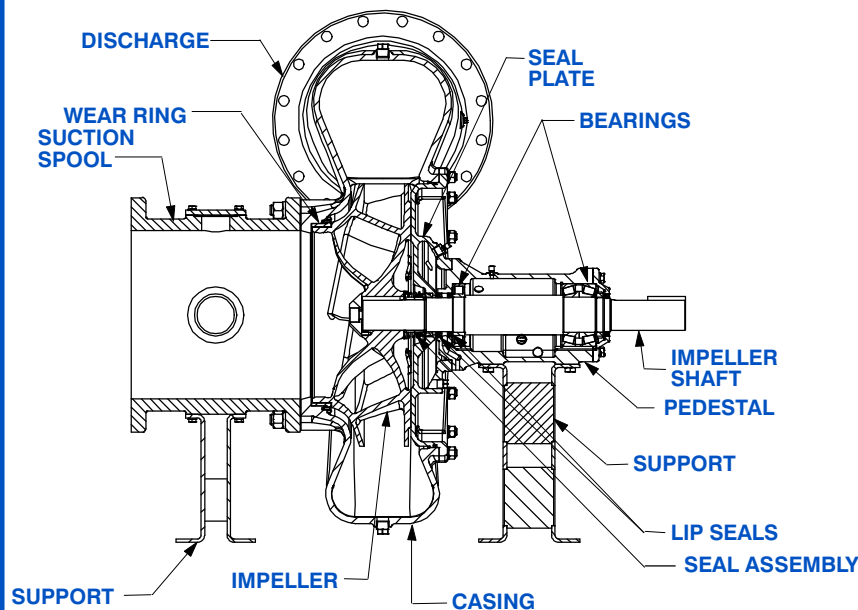
**Gaskets:** Vegetable Fiber and Buna-N.

**O-Rings:** Buna-N.

**Hardware:** Standard Plated Steel.

**Bearing and Seal Cavity Oil Level Sight Gauges.**

*\*Consult Factory for Applications Exceeding Maximum Pressure and/or Temperature Indicated.*



## SEAL DETAIL

Mechanical, Oil-Lubricated. Silicon Carbide Rotating Face and Stationary Seat. Fluorocarbon Elastomers (DuPont Viton® or Equivalent). Stainless Steel 316 Cage and Stainless Steel 18-8 Spring. Maximum Temperature of Liquid Pumped 160°F (71°C).\*



GORMAN-RUPP PUMPS

www.grpumps.com

Specifications Subject to Change Without Notice

Printed in U.S.A.

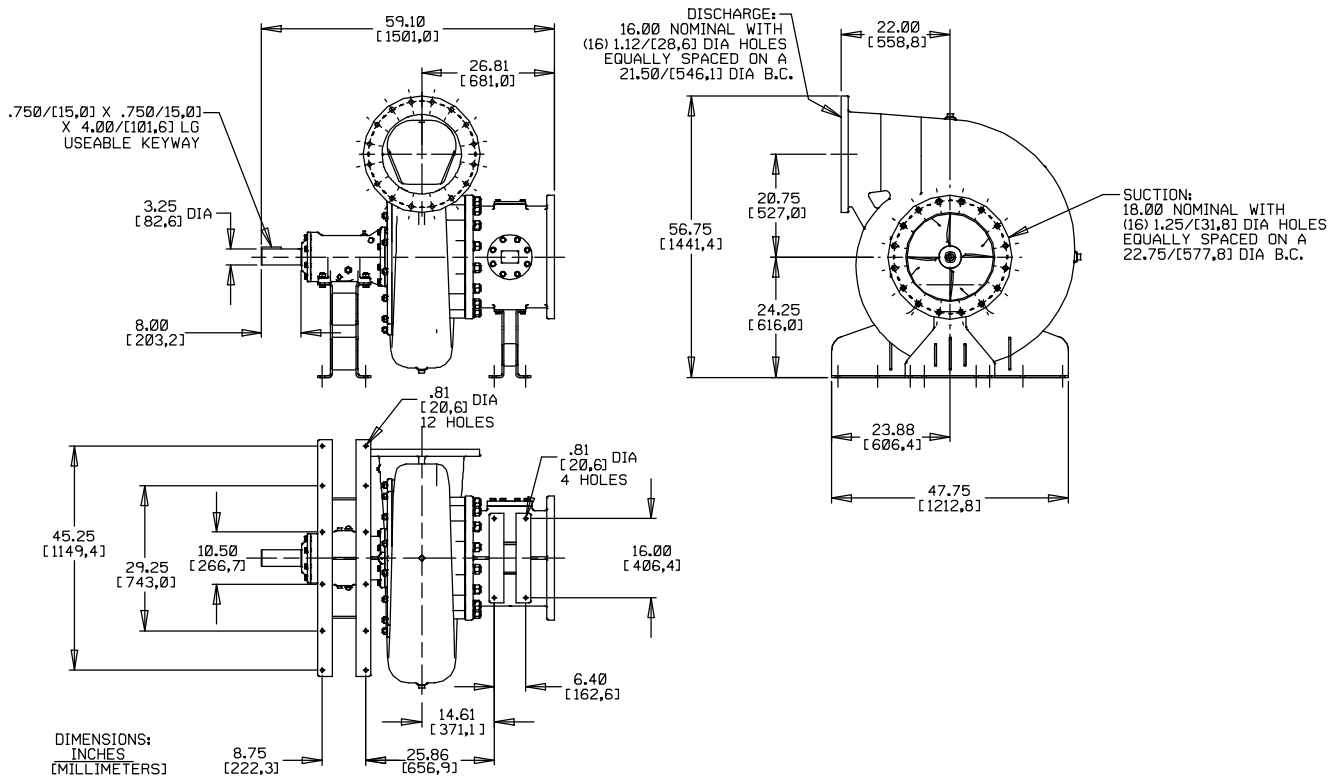
### Specification Data

SECTION 65, PAGE 800

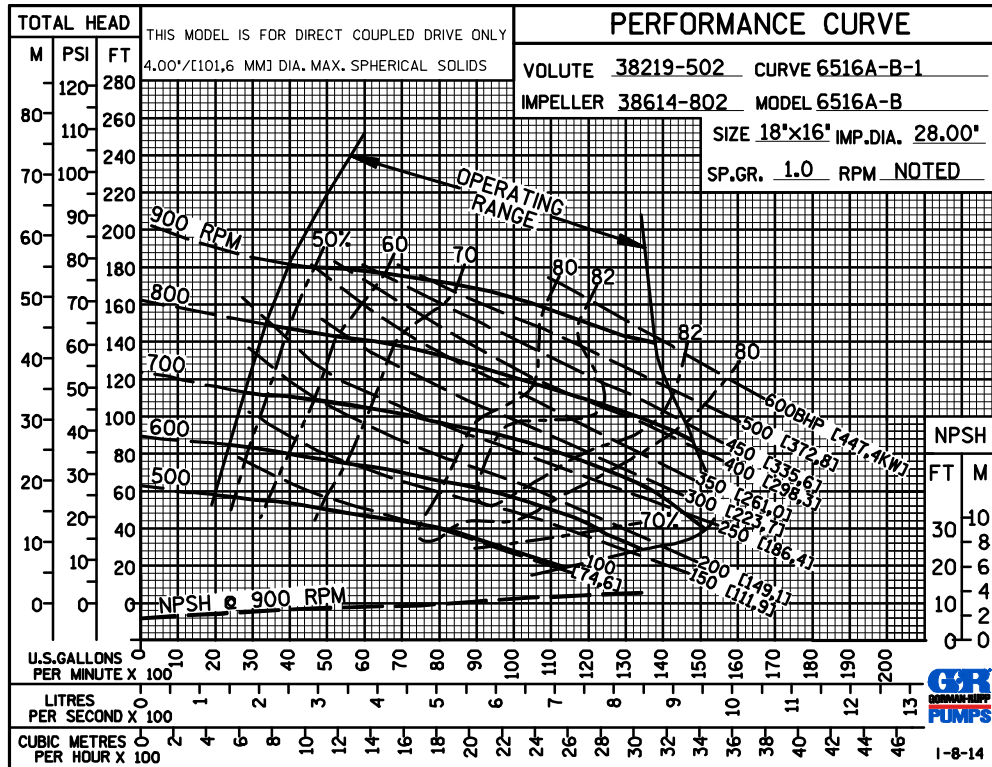
APPROXIMATE DIMENSIONS and WEIGHTS

**NET WEIGHT:**  
**SHIPPING WEIGHT:**  
**EXPORT CRATE:**

**2345 LBS. (1063,7 KG.)**  
**2645 LBS. (1199,7 KG.)**  
**104 CU. FT. (2,9 CU. M.)**



**MULTI-SPEED  
CURVE  
PERFORMANCE  
BASED ON  
WATER**



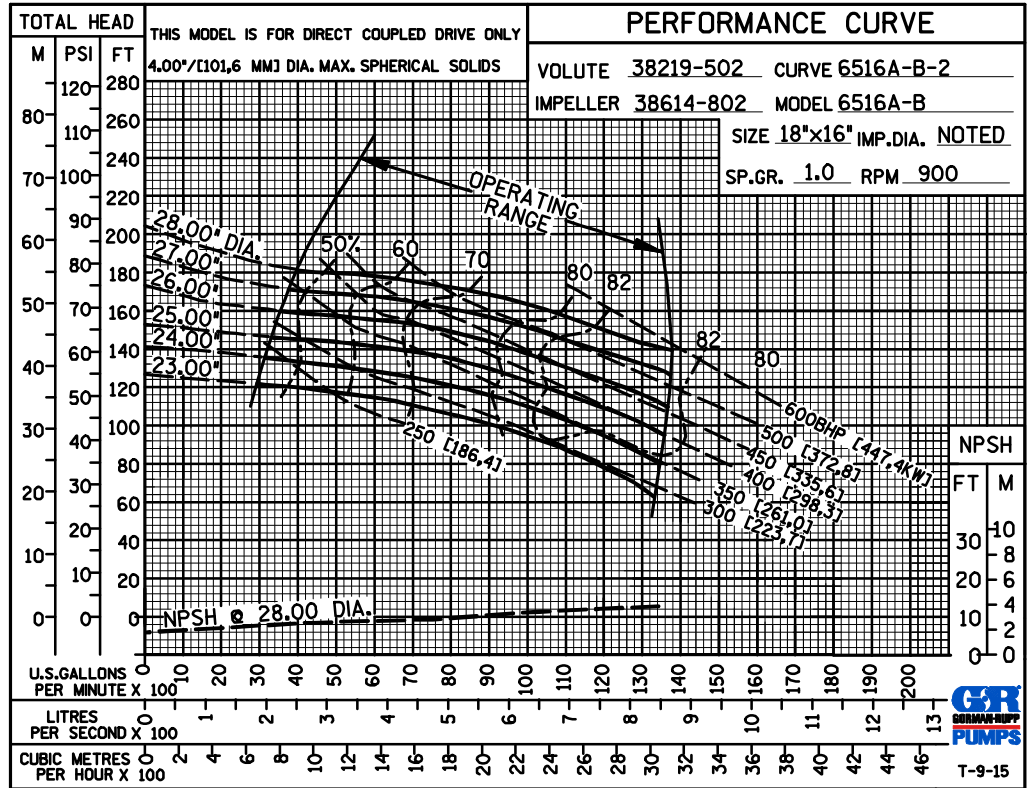
**GORMAN-RUPP PUMPS**

www.grpumps.com

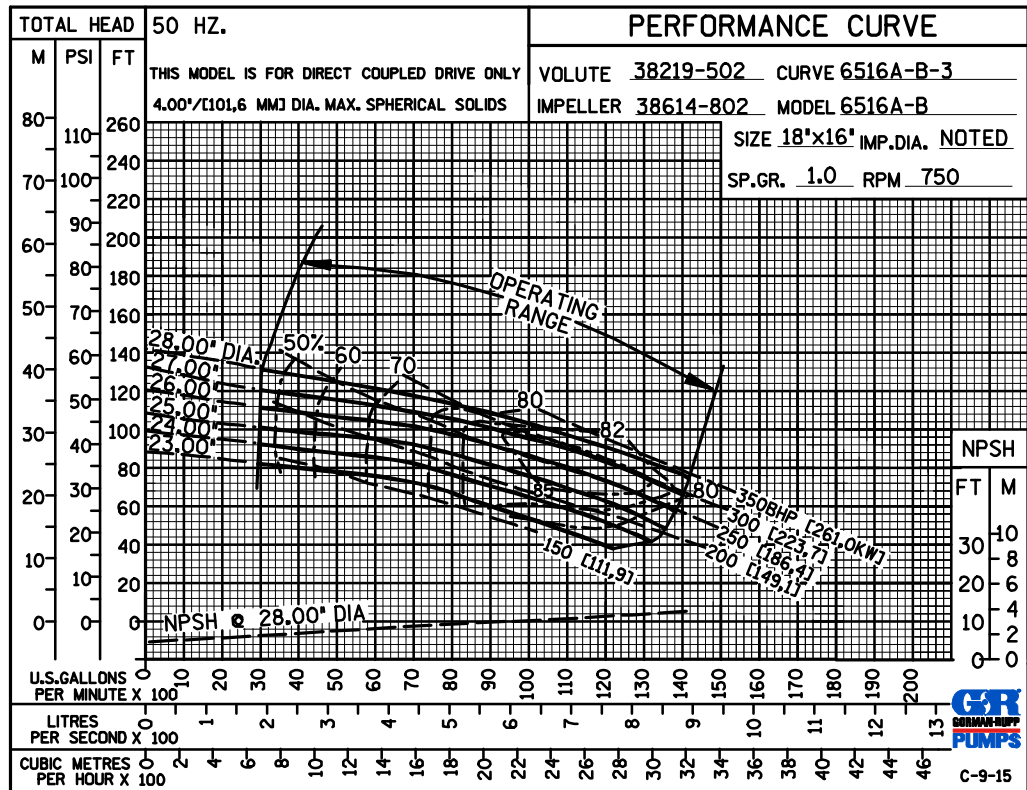
Specifications Subject to Change Without Notice

Printed in U.S.A.

60 HERTZ  
PERFORMANCE  
BASED ON  
WATER  
TRIMMED  
IMPELLER



50 HERTZ  
PERFORMANCE  
BASED ON  
WATER  
TRIMMED  
IMPELLER



GORMAN-RUPP PUMPS

www.grpumps.com

Specifications Subject to Change Without Notice

Printed in U.S.A.