



Basic Pedestal

Standard Centrifugal Pump

Model VG1 1/4C3-B

Size 2" x 1 1/4"

PUMP SPECIFICATIONS

Size: 2" x 1 1/4" (51 mm x 32 mm) Flanged.

Casing: Gray Iron 40.

Maximum Operating Pressure 176 psi (1214 kPa).*

Enclosed Type, Six Vane Impeller: Gray Iron 40.

Handles 7/32" (5,5 mm) Diameter Spherical Solids.

Impeller Shaft: Steel 1045.

Shaft Sleeve: Stainless Steel 420.

Seal Plate: Gray Iron 40.

Bearing Housing: Gray Iron 40.

Radial and Thrust Bearings: Open Single Row Ball.

Bearing Lubrication: SAE 30 Non-Detergent Oil.

Gaskets: Nitrile Rubber.

O-Ring: Fluorocarbon (DuPont Viton® or Equivalent).

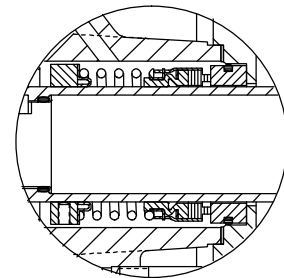
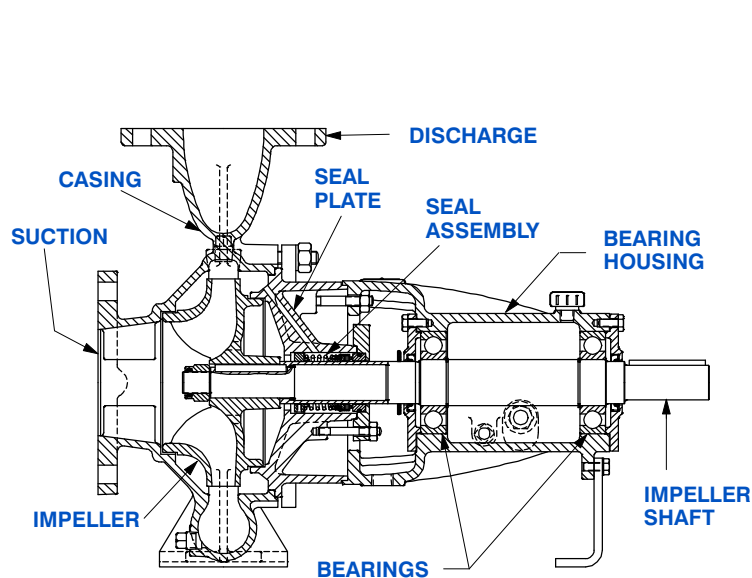
Hardware: Standard Plated Steel.

Oil Level Sight Gauge.

Optional Equipment: NPT Suction and Discharge Flanges.

Strainer. Stainless Steel Impeller. Mechanical Seal with Fluorocarbon Elastomers (DuPont Viton® or Equivalent).

**Consult Factory for Applications Exceeding Maximum Pressure and/or Temperature Indicated.*



SEAL DETAIL

Type 1, Mechanical, Self-Lubricated. Carbon Rotating Face. Ceramic Stationary Seat. Buna-N Elastomers. Stainless Steel 18-8 and/or Brass Cage and Spring. Maximum Temperature of Liquid Pumped, 160°F (71°C).*



GORMAN-RUPP PUMPS

www.grpumps.com

Specifications Subject to Change Without Notice

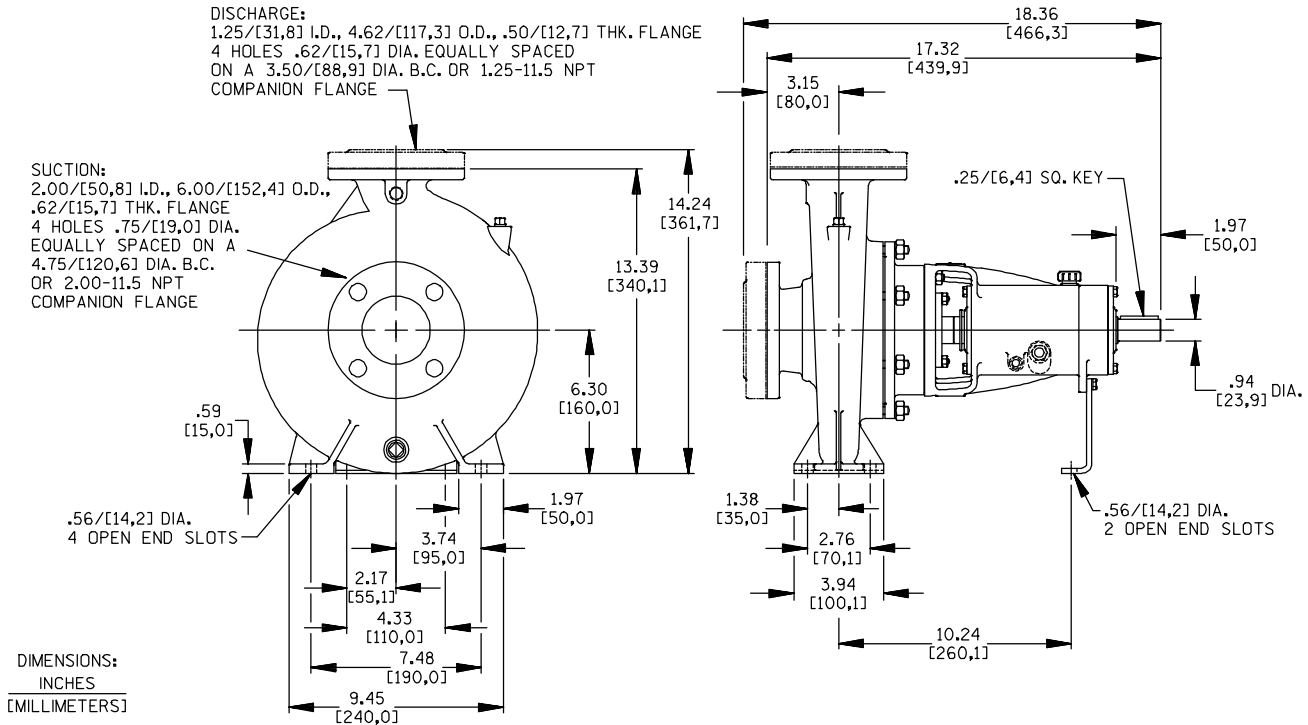
Printed in U.S.A.

Specification Data

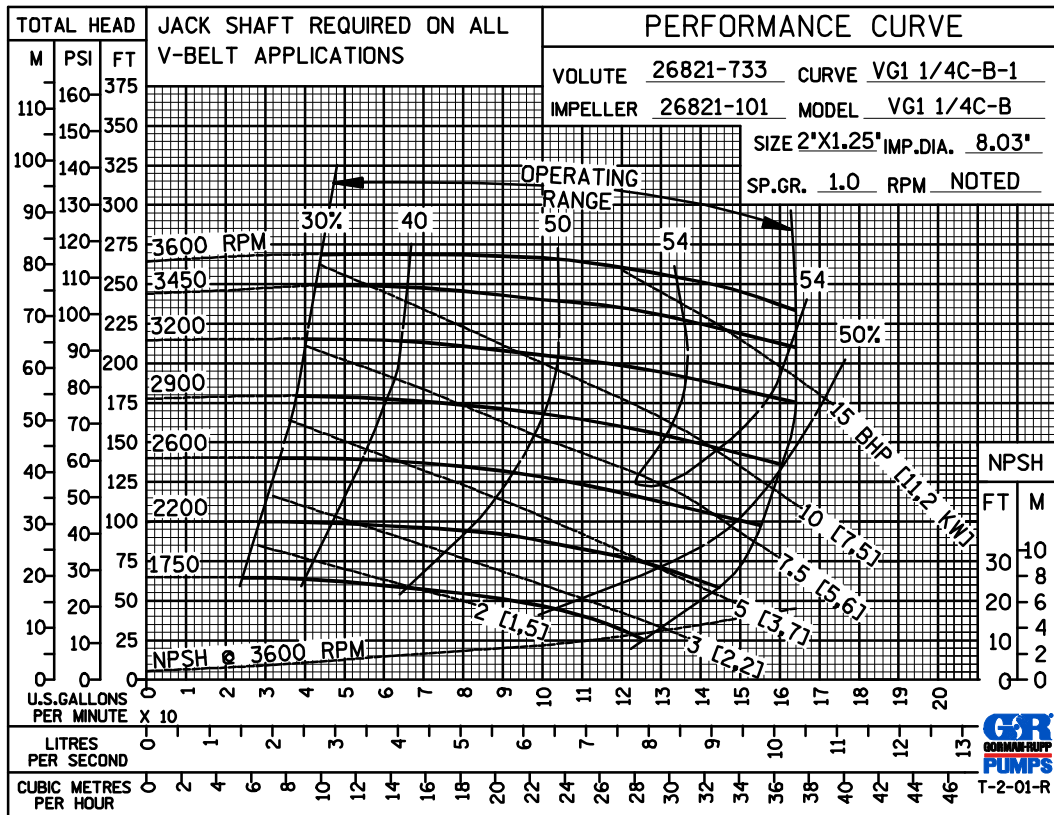
SECTION 70, PAGE 125

APPROXIMATE DIMENSIONS and WEIGHTS

NET WEIGHT: 66 LBS. (29,9 KG.)
SHIPPING WEIGHT: 80 LBS. (36,3 KG.)
EXPORT CRATE SIZE: 3.5 CU. FT. (0,09 CU. M.)



PERFORMANCE
 BASED ON
 WATER



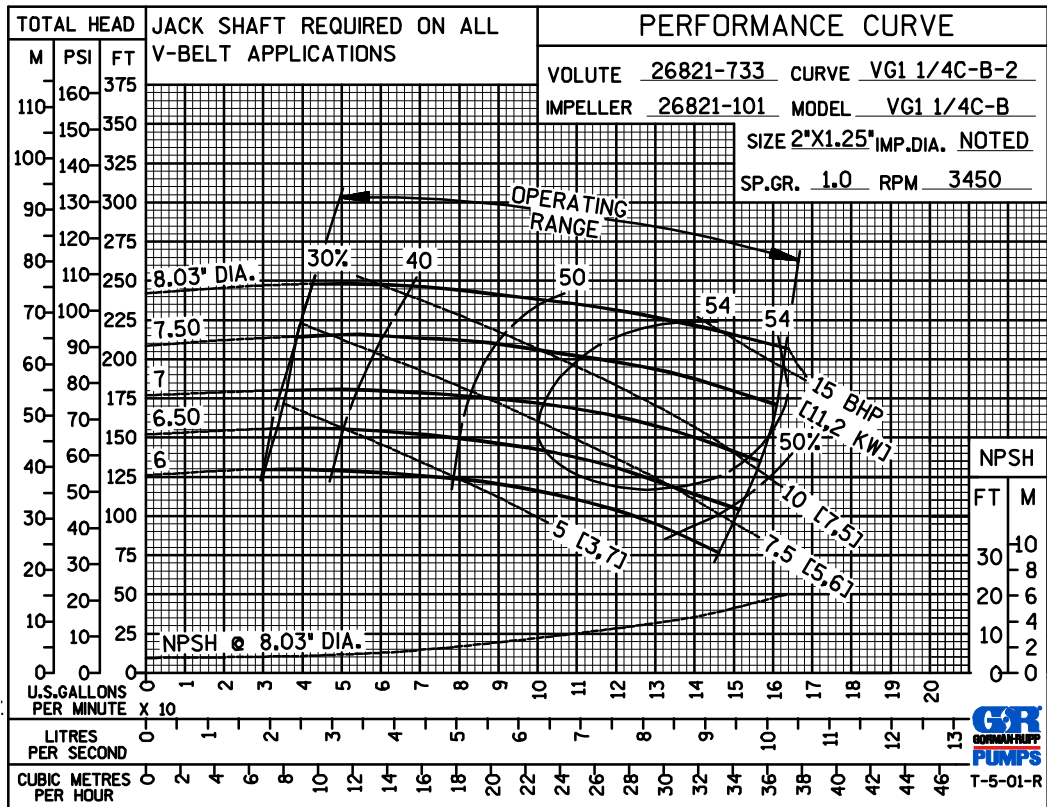
GORMAN-RUPP PUMPS

www.grpumps.com

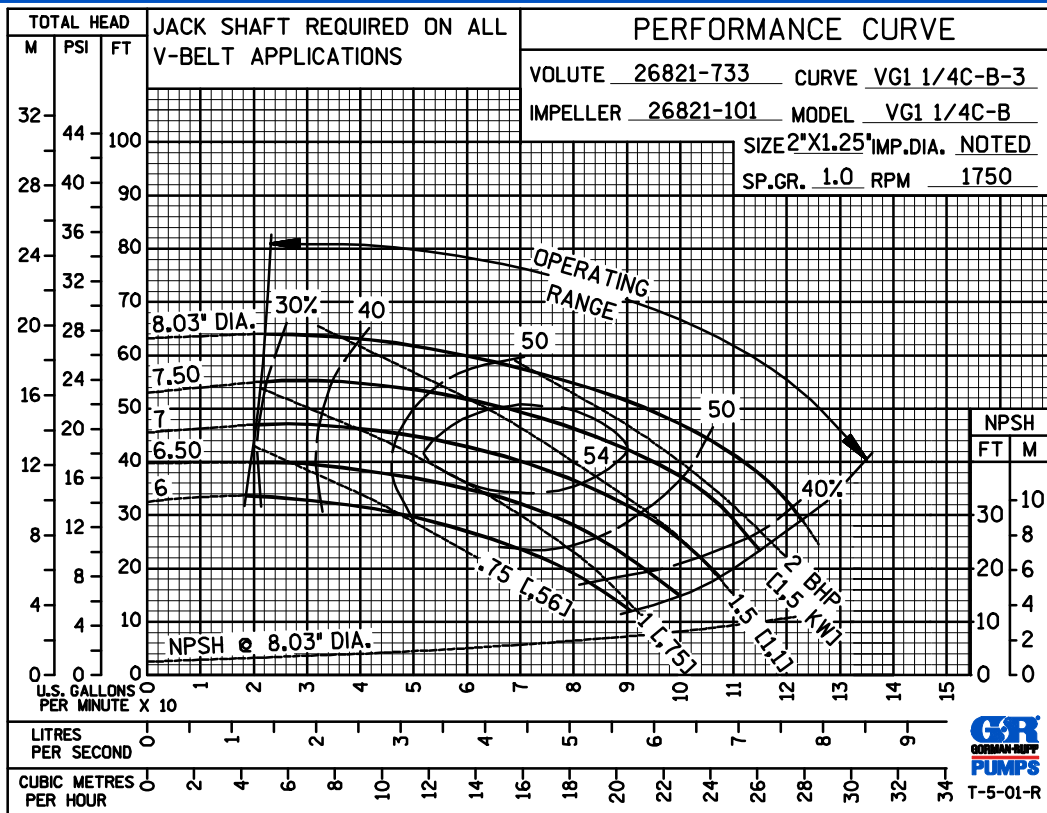
Specifications Subject to Change Without Notice

Printed in U.S.A.

PERFORMANCE
BASED ON
WATER



PERFORMANCE
BASED ON
WATER



GORMAN-RUPP PUMPS

www.grpumps.com

Specifications Subject to Change Without Notice

Printed in U.S.A.