

# Standard Centrifugal Pump



## Model 64K31-B

### Size 6" x 4"

#### PUMP SPECIFICATIONS

**Size:** 6" x 4" (152 mm x 102 mm) Flanged.

**Casing:** Ductile Iron 65-45-12.

Maximum Casing Pressure 260 psi (1793 kPa).\*

Maximum Operating Pressure 250 psi (1723 kPa) at Temperatures up to 100°F (37°C) Based on System Component Limitations.\*

**Enclosed Type, Five Vane Impeller:** Aluminum Alloy 356-T6.  
Handles 1/2" (12,7 mm) Diameter Spherical Solids.

**Impeller Shaft:** Carbon Steel 1045.

**Bearing Housing:** Ductile Iron 65-45-12.

**Radial Bearing:** Open Double Row Ball.

**Thrust Bearing:** Open Single Row Ball.

**Bearing Lubrication:** SAE 30 Non-Detergent Oil.

**Body Cover:** Ductile Iron 65-45-12.

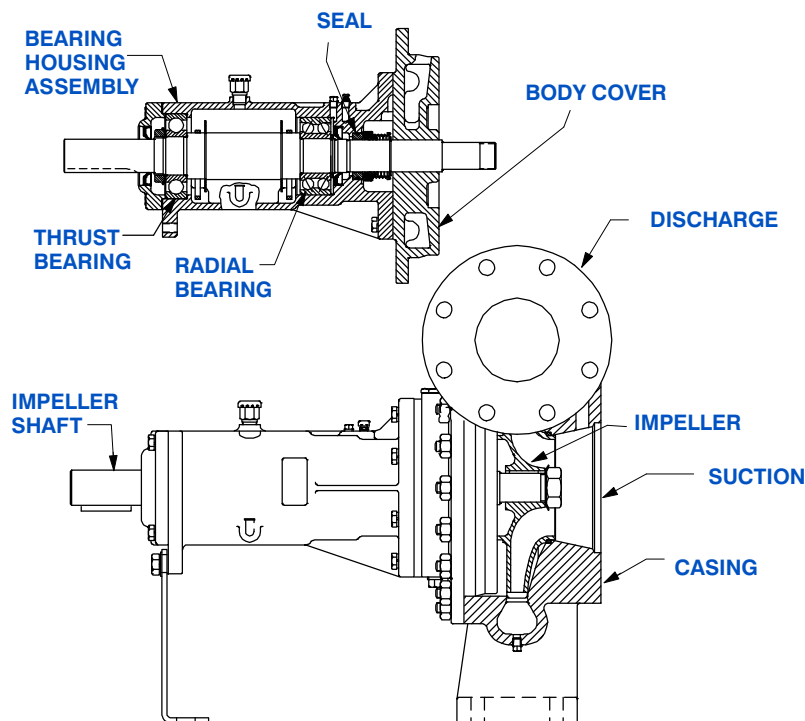
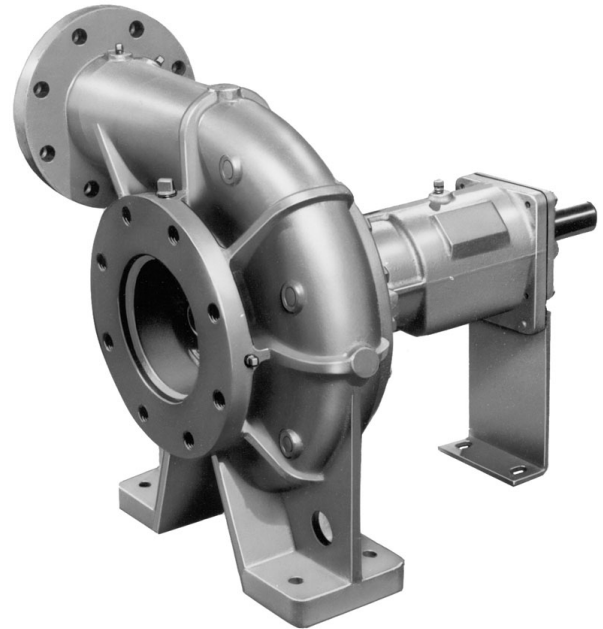
**Gaskets:** Buna-N.

**Hardware:** Standard Plated Steel.

**Optional Equipment:** PTFE Seal with Fluorocarbon O-Ring.

PTFE Seal with Buna-N O-Ring.

*\*Consult Factory for Applications Exceeding Maximum Pressure and/or Temperature Indicated.*



#### SEAL DETAIL

Type 21, Mechanical Self-Lubricated. Carbon Rotating Face. Ni-Resist Stationary Face. Fluorocarbon Elastomers (DuPont Viton® or Equivalent). Stainless Steel 18-8 Cage and Spring. Maximum Temperature of Liquid Pumped, 160°F (71°C).\*



## GORMAN-RUPP PUMPS

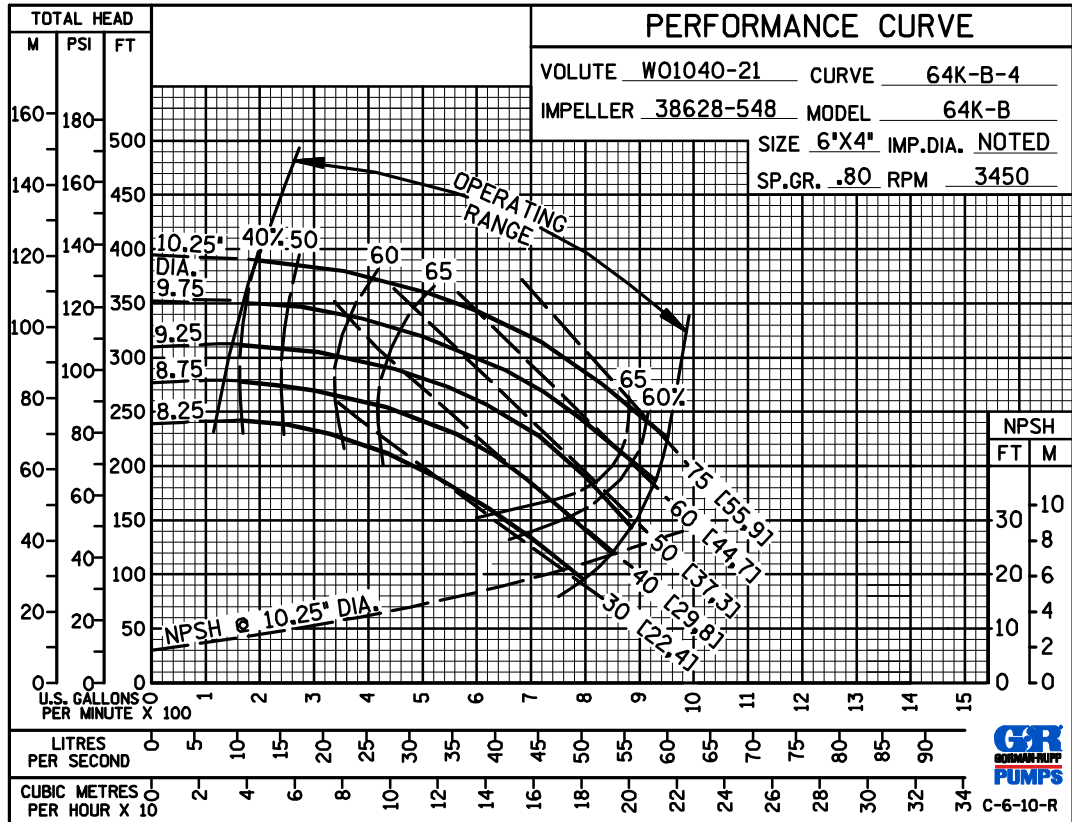
www.grpumps.com

Specifications Subject to Change Without Notice

Printed in U.S.A.



**60 HERTZ  
PERFORMANCE  
BASED ON  
PETROLEUM  
TRIMMED  
IMPELLER**



**GORMAN-RUPP PUMPS**

www.grpumps.com

Specifications Subject to Change Without Notice

Printed in U.S.A.