

Standard Centrifugal Pump

Model VG6E3-B

Size 8" x 6"



PUMP SPECIFICATIONS

Size: 8" x 6" (203 mm x 152 mm) Flanged.

Casing: Gray Iron 40.

Maximum Operating Pressure 228 psi (1572 kPa).*

Enclosed Type, Six Vane Impeller: Gray Iron 40.

Handles 1" (25,4 mm) Diameter Spherical Solids.

Impeller Shaft: Steel 1045.

Shaft Sleeve: Stainless Steel 420.

Seal Plate: Gray Iron 40.

Bearing Housing: Gray Iron 40.

Radial Bearing: Open Single Row Ball.

Thrust Bearing: Open Roller.

Bearing Lubrication: SAE 30 Non-Detergent Oil.

Gaskets: Nitrile Rubber.

O-Ring: Fluorocarbon (DuPont Viton® or Equivalent).

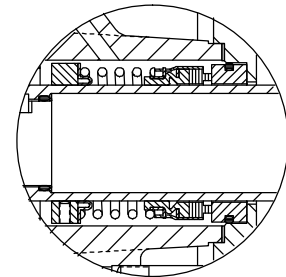
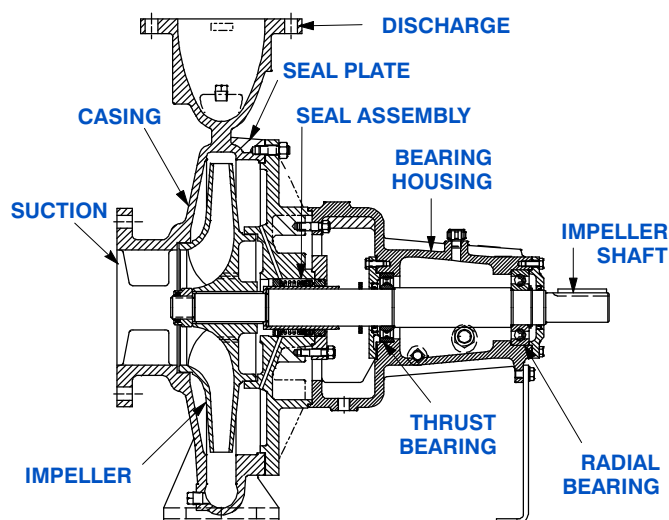
Hardware: Standard Plated Steel.

Oil Level Sight Gauge.

Optional Equipment: NPT Suction and Discharge Flanges. Strainer. Stainless Steel Impeller. Mechanical Seal with Fluorocarbon Elastomers (DuPont Viton® or Equivalent). Manual Discharge Check Valve.



**Consult Factory for Applications Exceeding Maximum Pressure and/or Temperature Indicated.*



SEAL DETAIL

Type 1, Mechanical, Self-Lubricated. Carbon Rotating Face. Ceramic Stationary Seat. Buna-N Elastomers. Stainless Steel Cage and Spring. Maximum Temperature of Liquid Pumped, 160°F (71°C).*



GORMAN-RUPP PUMPS

www.grpumps.com

Specifications Subject to Change Without Notice

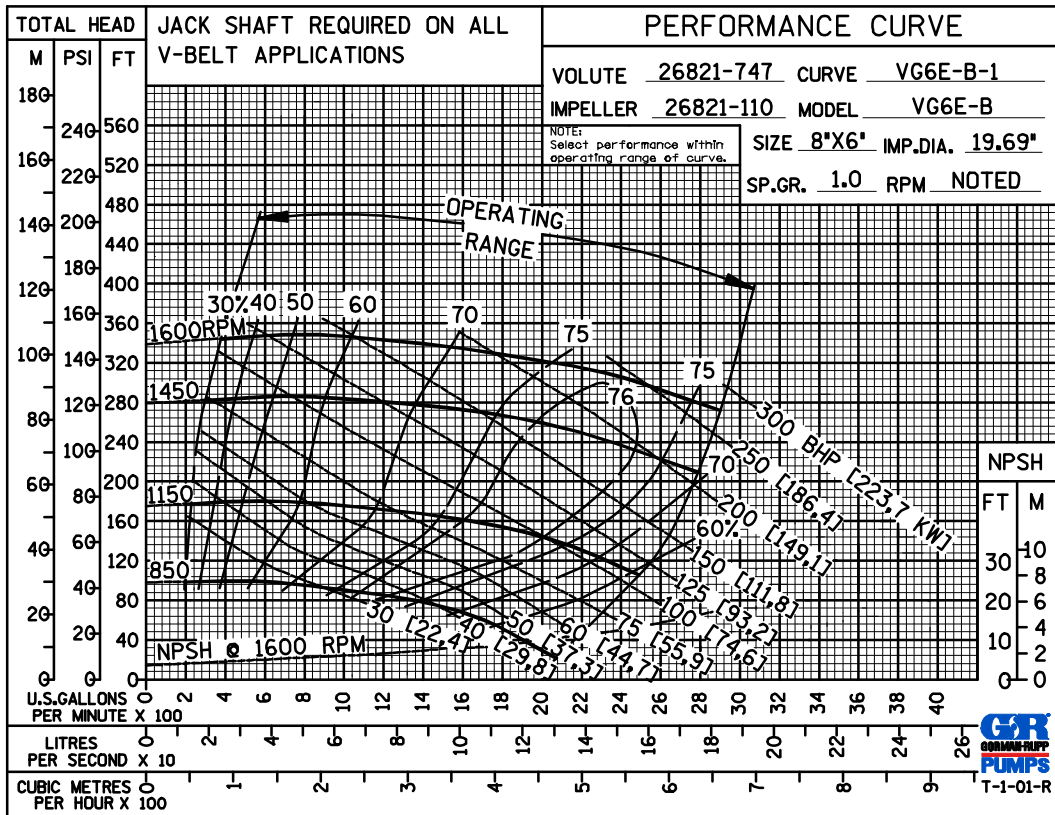
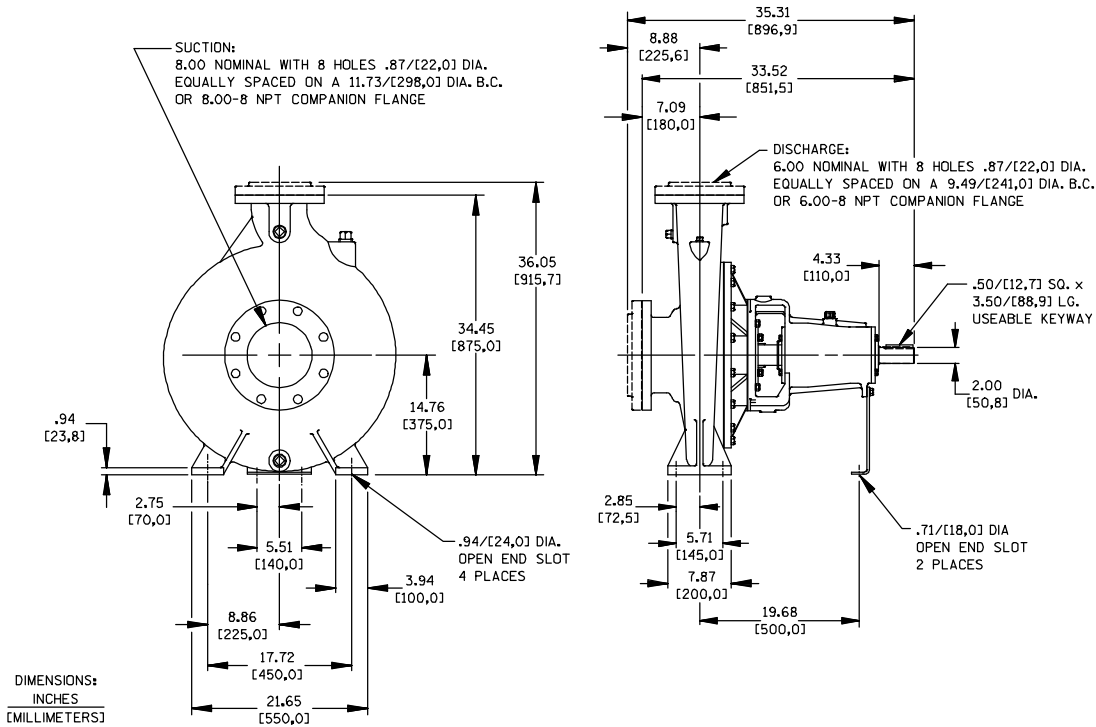
Printed in U.S.A.

Specification Data

SECTION 70, PAGE 1450

APPROXIMATE DIMENSIONS and WEIGHTS

NET WEIGHT: 749 LBS. (339,7 KG.)
SHIPPING WEIGHT: 789 LBS. (357,9 KG.)
EXPORT CRATE SIZE: 35.65 CU. FT. (1,01 CU. M.)



PERFORMANCE BASED ON WATER



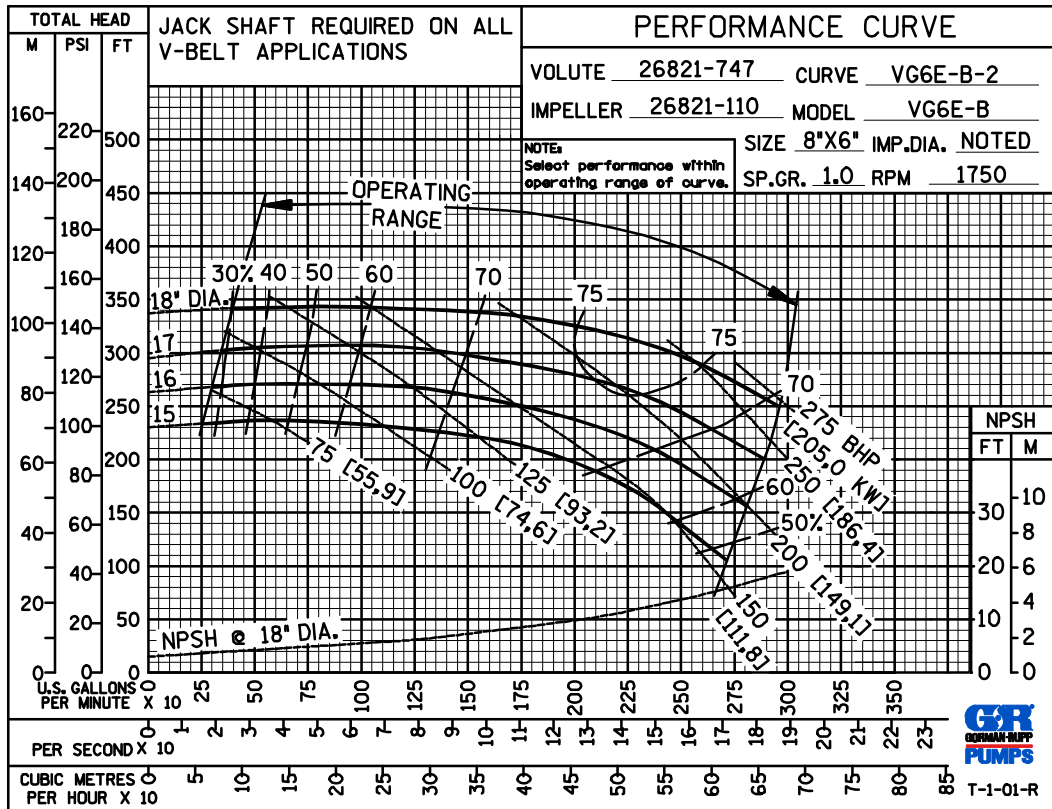
GORMAN-RUPP PUMPS

www.grpumps.com

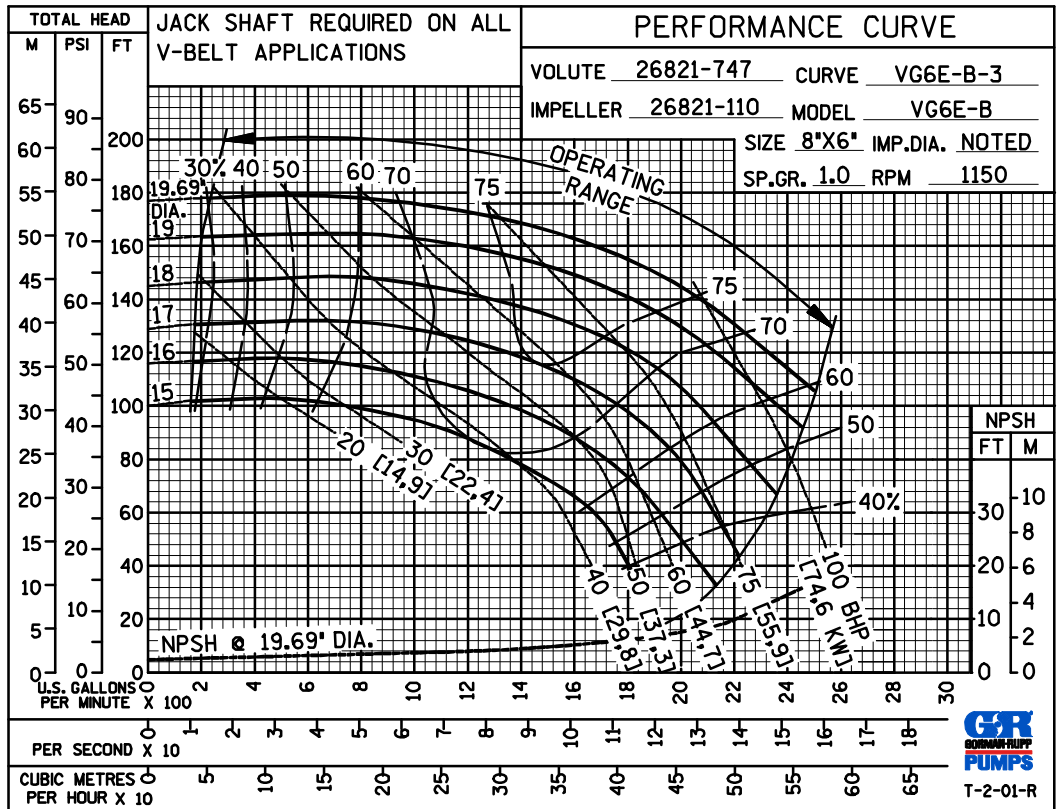
Specifications Subject to Change Without Notice

Printed in U.S.A.

PERFORMANCE
BASED ON
WATER



PERFORMANCE
BASED ON
WATER



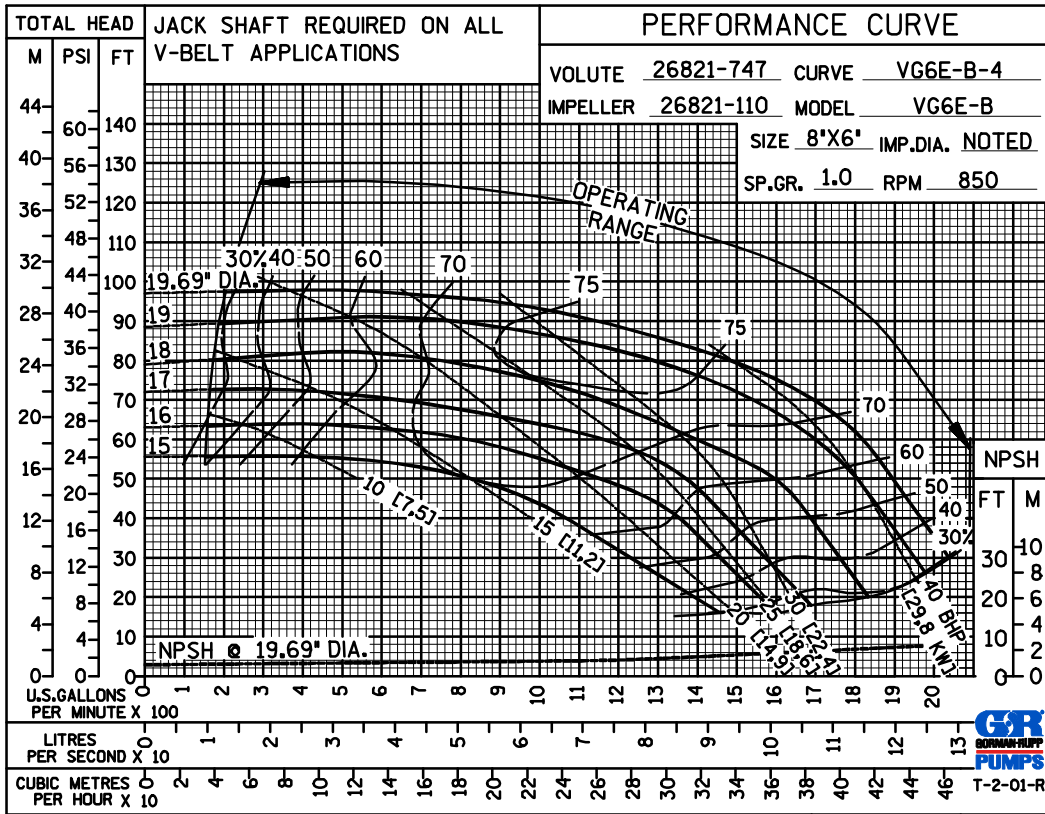
GORMAN-RUPP PUMPS

www.grpumps.com

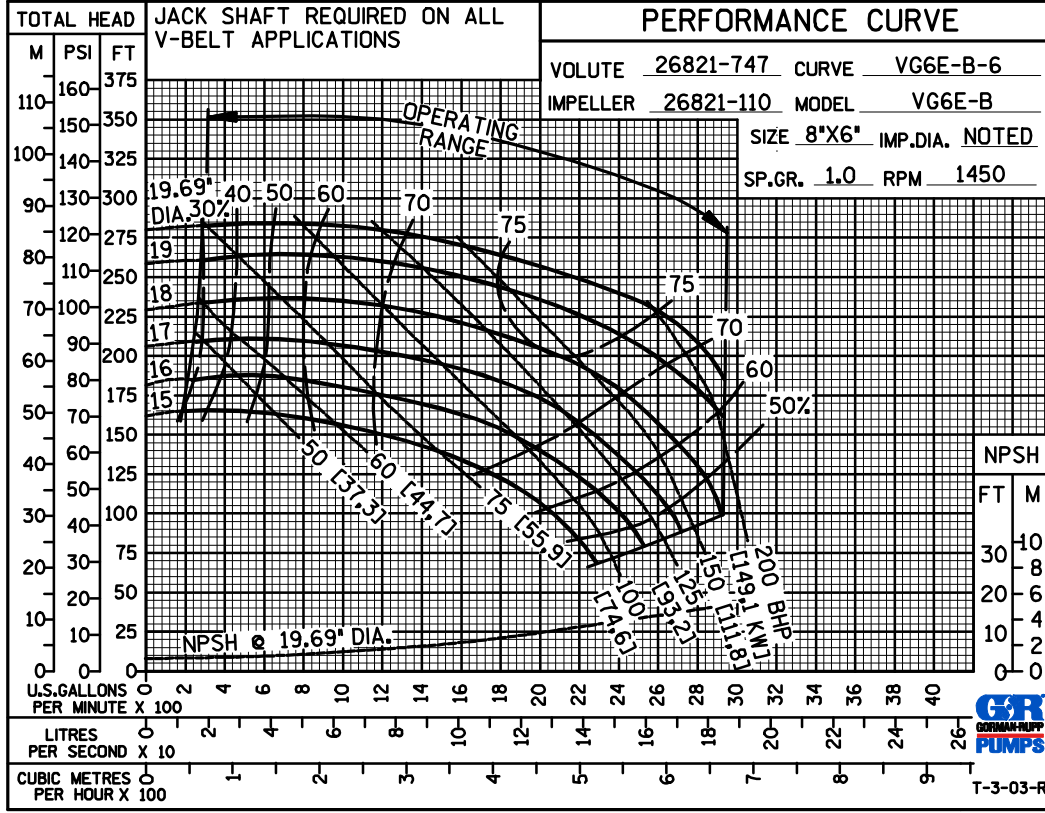
Specifications Subject to Change Without Notice

Printed in U.S.A.

PERFORMANCE
BASED ON
WATER



50 HERTZ
PERFORMANCE
BASED ON
WATER



GORMAN-RUPP PUMPS

www.grpumps.com

Specifications Subject to Change Without Notice

Printed in U.S.A.