

Basic Pedestal

Standard Centrifugal Pump

Model 610M20B-B

Size 10" x 10"



PUMP SPECIFICATIONS

Size: 10" x 10" 254 mm x 254 mm) Flanged.

Casing: Gray Iron 30.

Maximum Operating Pressure 75 psi (517 kPa). *

Enclosed Type, Four Vane Impeller: Ductile Iron 65-45-12.

Handles 1 1/2" (38,1 mm) Diameter Spherical Solids.

Suction Spool: Ductile Iron 80-60-03

Impeller Shaft: Stainless Steel 17-4PH.

Suction Head Wear Ring: Ductile Iron 65-45-12.

Pedestal: Gray Iron 30.

Seal Plate: Gray Iron 30.

Radial Bearing: Open Double Row Ball.

Thrust Bearing: Open Double Row Ball.

Bearing and Seal Cavity Lubrication: SAE 30 Non-Detergent Oil.

Gaskets: Vegetable Fiber.

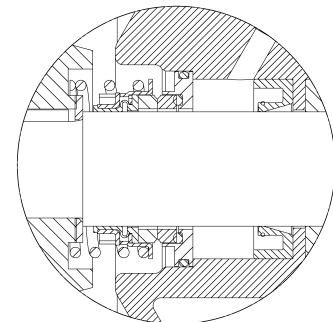
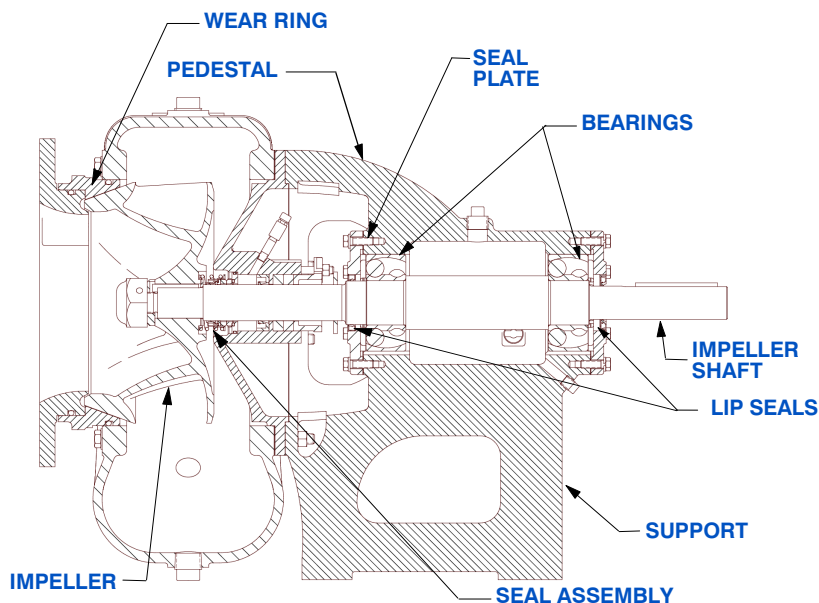
O-Rings: Buna-N.

Hardware: Standard Plated Steel.

Bearing and Seal Cavity Oil Level Sight Gauges.



**Consult Factory for Applications Exceeding Maximum Pressure and/or Temperature Indicated.*



SEAL DETAIL

Mechanical, Oil-Lubricated, Double-Floating, Self - Aligning. Tungsten Titanium Carbide Rotating and Stationary Faces. Fluorocarbon Elastomers DuPont Viton or Equivalent). Stainless Steel 18-8 Cage and Spring. Maximum Temperature of Liquid Pumped, 160°F (71°C).*



GORMAN-RUPP PUMPS

www.grpumps.com

Specifications Subject to Change Without Notice

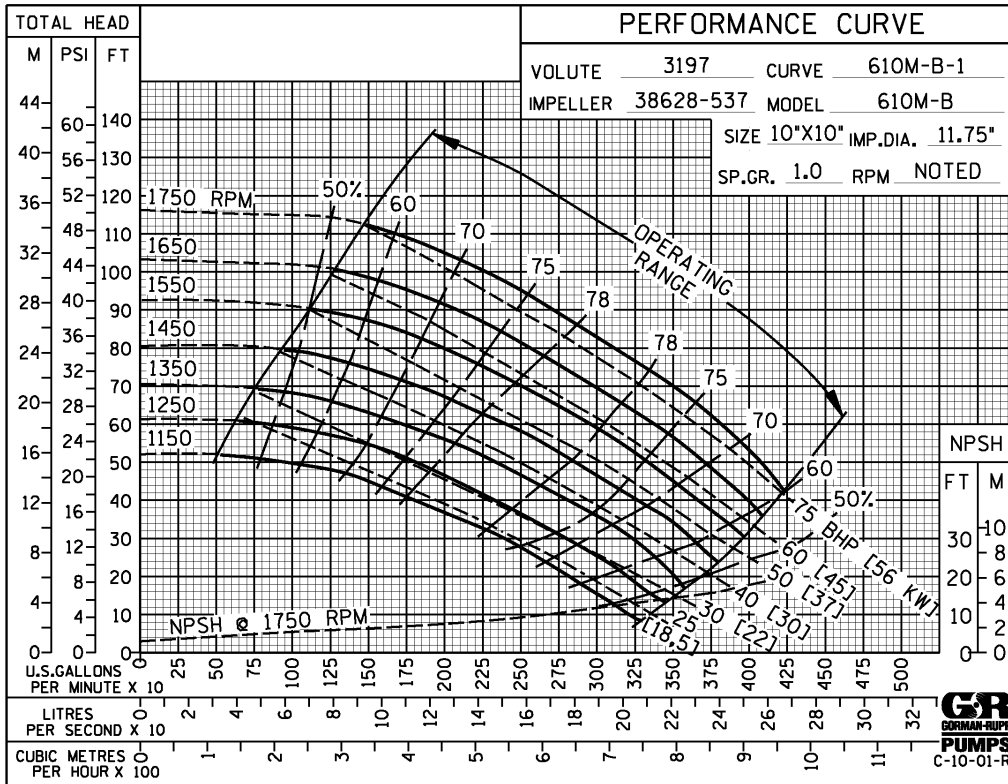
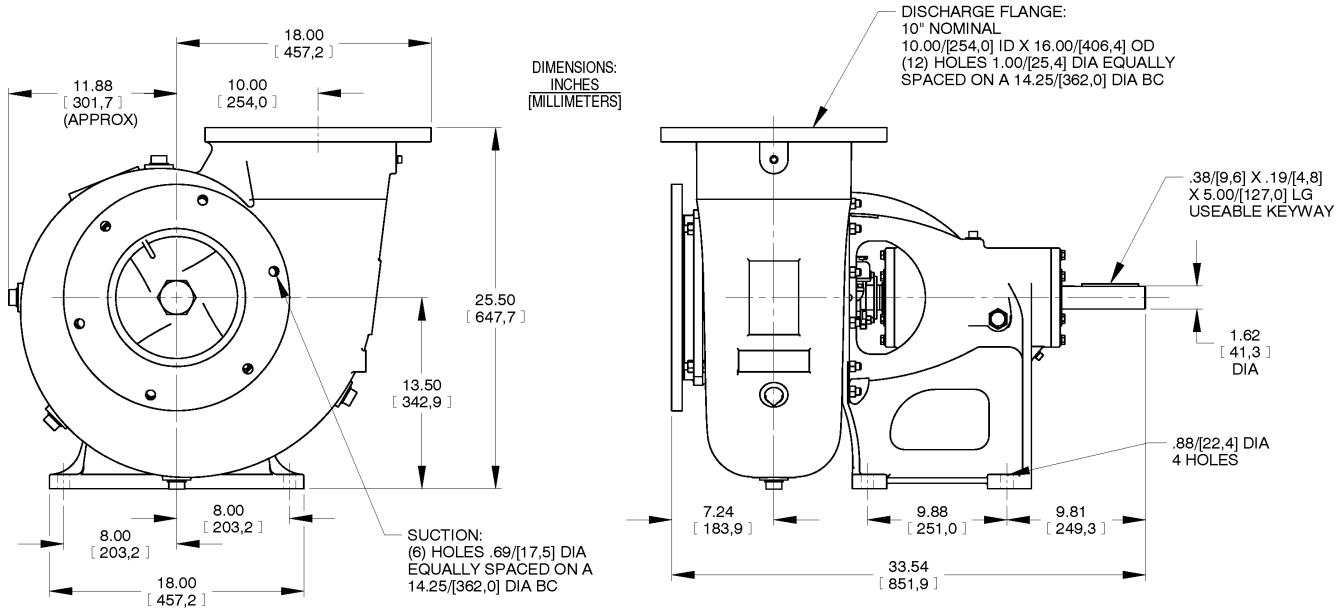
Printed in U.S.A.

Specification Data

SECTION 70, PAGE 1604

APPROXIMATE
DIMENSIONS and WEIGHTS

NET WEIGHT: 620 LBS. (281,2 KG.)
SHIPPING WEIGHT: 700 LBS. (317,5 KG.)
EXPORT CRATE: 21.9 CU. FT. (0,6 CU. M.)



GORMAN-RUPP PUMPS

www.grpumps.com

Specifications Subject to Change Without Notice

Printed in U.S.A.