

Standard Centrifugal Pump



Model 612L20B-B

Size 12" x 12"

PUMP SPECIFICATIONS

Size: 12" x 12" (304 mm x 304 mm) Flanged.

Casing: Gray Iron 30.

Maximum Operating Pressure 63 psi (434 kPa).*

Enclosed Type, Four Vane Impeller: Ductile Iron 80-60-03.

Handles 1 7/8" (47,6 mm) Diameter Spherical Solids.

Impeller Shaft: Stainless Steel 17-4 PH.

Replaceable Wear Ring: Ductile Iron 80-60-03.

Pedestal: Gray Iron 30.

Seal Plate: Gray Iron 30.

Radial Bearing: Open Single Row Ball.

Thrust Bearing: Open Double Row Ball.

Bearing and Seal Cavity Lubrication: SAE 30 Non-Detergent Oil.

Suction Head: Gray Iron 30.

Gaskets: Vegetable Fiber.

Hardware: Standard Plated Steel.

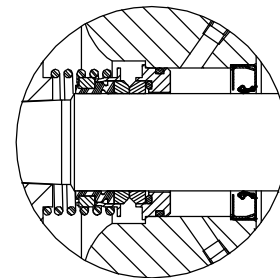
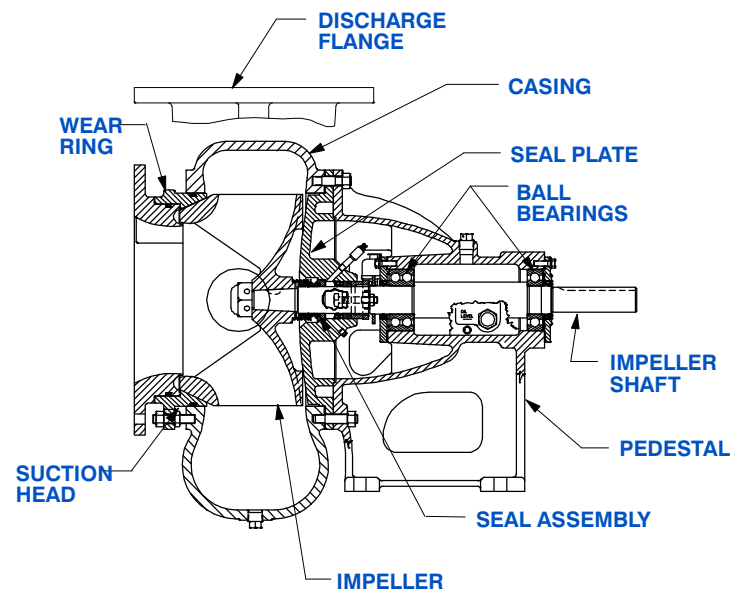
Bearing Cavity Oil Level Sight Gauge.

Seal Cavity Bottle Oiler.

Optional Equipment: 12" NPT Flanged Suction Head. Strainer.

12" NPT Discharge Flange. Hand Primer.

**Consult Factory for Applications Exceeding Maximum Pressure and/or Temperature Indicated.*



SEAL DETAIL

Mechanical, Oil-Lubricated, Double-Floating, Self-Aligning. Tungsten Titanium Carbide Rotating Face and Stationary Face. Stainless Steel 316 Stationary Seat. Fluorocarbon Elastomers (DuPont Viton® or Equivalent). Stainless Steel 316 Cage and Spring. Maximum Temperature of Liquid Pumped, 160°F (71°C).*



GORMAN-RUPP PUMPS

www.grpumps.com

Specifications Subject to Change Without Notice

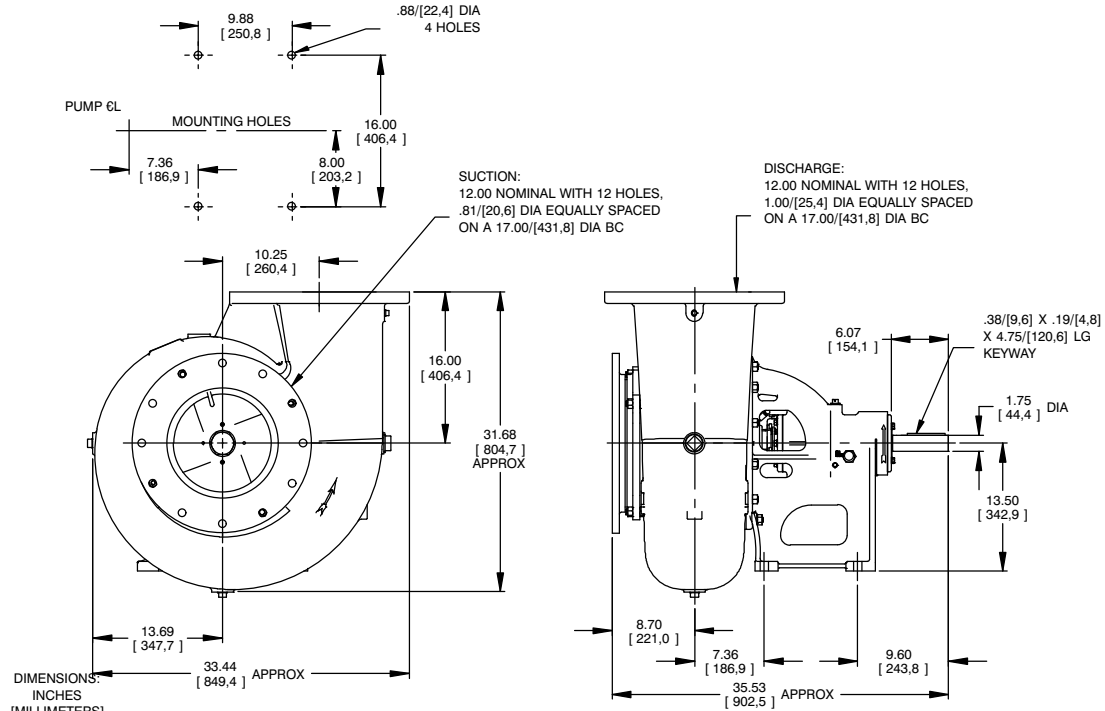
Printed in U.S.A.

Specification Data

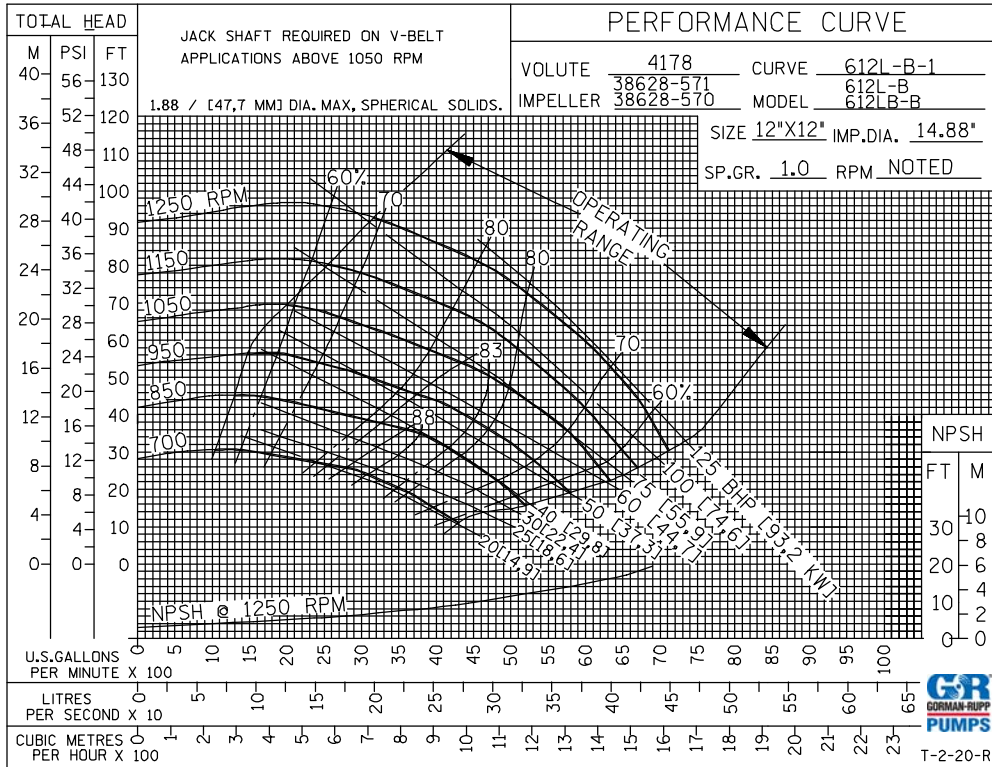
SECTION 70, PAGE 1710

APPROXIMATE
DIMENSIONS and WEIGHTS

NET WEIGHT: 960 LBS. (435,4 KG.)
SHIPPING WEIGHT: 1040 LBS. (471,7 KG.)
EXPORT CRATE: 37.0 CU. FT. (1,05 CU. M.)



VERTICAL DISCHARGE STANDARD – HORIZONTAL DISCHARGE OPTIONAL



GORMAN-RUPP PUMPS

www.grpumps.com

Specifications Subject to Change Without Notice

Printed in U.S.A.