



# Submersible Pump

## Model SM3B18-X6

### Size 3"



#### PUMP SPECIFICATIONS

**MSHA PUMP APPROVAL NO. 2G-3971A-0.**

**COMMONWEALTH OF PENNSYLVANIA APPROVAL NO. BFE-637-77.**

**Suction Casing:** Aluminum Alloy 356-T6 w/Bonded Nitrile Lining;

Maximum Operating Pressure 52 psi (359 kPa).\*

**Impeller:** Stainless Steel CD4MCu.

**Seal Plate:** Aluminum Alloy 356-T6 w/Bonded Nitrile Lining.

**Intermediate:** Aluminum Alloy 356-T6.

**Motor Housing:** Aluminum Alloy 356-T6.

**Motor Shaft:** Stainless Steel 416.

**Bearings:** Upper, Two Synthetic Seals, Single Row Ball Bearing.

Lower, Two Shields, Double Row Ball Bearing.

**Shaft Sleeve:** Stainless Steel 304.

**Discharge Flange:** Aluminum Alloy 356-T6.

**Gaskets:** Cork with Nitrile Binder (NC710).

**O-Rings:** Buna-N.

**Wetted Hardware:** Standard Plated Steel and Stainless Steel.

**Strainer:** Stainless Steel 316; 52% Open Area, 0.375" (9.5 mm) Diameter Openings.

**Hoisting Bail:** Urethane Coated Steel.

#### Standard Equipment

**NEMA Type 10 Explosion Proof Control Box:**

Provides On-Off, Circuit Breaker and Motor Overload Protection.

**MSHA Certification No. X/P-3026-1.**

#### Optional Equipment

Staging Adapter Kit.

MSHA-Certified Automatic Control Box, [Single Ball Type Float Switch](#).\*\*

\*\*Cable Lengths From 50 to 400 Feet Available.

#### MOTOR/CABLE SPECIFICATIONS

**Motor:** Air Filled Enclosure. 6.0 H.P.; 3450 R.P.M.; 60 Hz.

Three Phase, 460/575 Volt, 10.8/8.6 Full Load AMPS, 6.8 kW (Max.).

**MSHA Certification No. X/P-3185-1.**

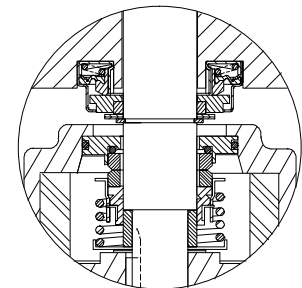
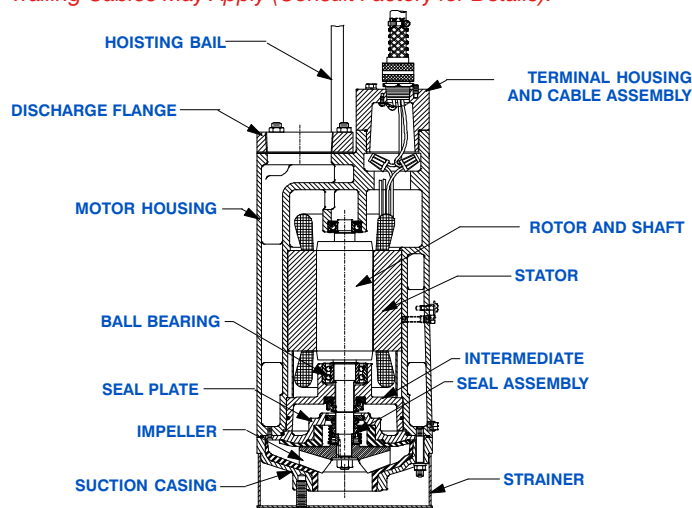
**Power Cable:** 7 Wire, Type SPC; (3) 12 AWG Power Conductors,

(2) 14 AWG Control Conductors, (1) 10 AWG Ground Conductor

and (1) 14 AWG Ground Check Conductor. Nominal Length 50 Feet (15 m) Stan-

dard. (Specify Alternate Length at Time of Order.) \*\*\*

\*\*\* Circuit Breaker Amp Rating and Maximum Combined Length of Motor and Trailing Cables May Apply (Consult Factory for Details).



#### SEAL SPECIFICATIONS

Tandem, Oil Lubricated.

**Upper:** Type 22, Mechanical. Cast Iron Rotating Face, and Carbon Stationary Face. Neoprene and Buna-N Elastomers. Carbon Steel Spring and Plated Steel Cage.

**Lower:** Type 2, Mechanical. Tungsten Titanium Carbide Rotating and Stationary Faces. Stainless Steel 316 Stationary Seat. Fluorocarbon Elastomers (DuPont Viton® or Equivalent). Stainless Steel 303/304 Cage and Spring.

Maximum Temperature of Liquid Pumped 122°F (50°C).\*

\* Consult Factory for Applications Exceeding Maximum Pressure and/or Temperature Indicated.



## GORMAN-RUPP PUMPS

www.grpumps.com

Specifications Subject to Change Without Notice

Printed in U.S.A.

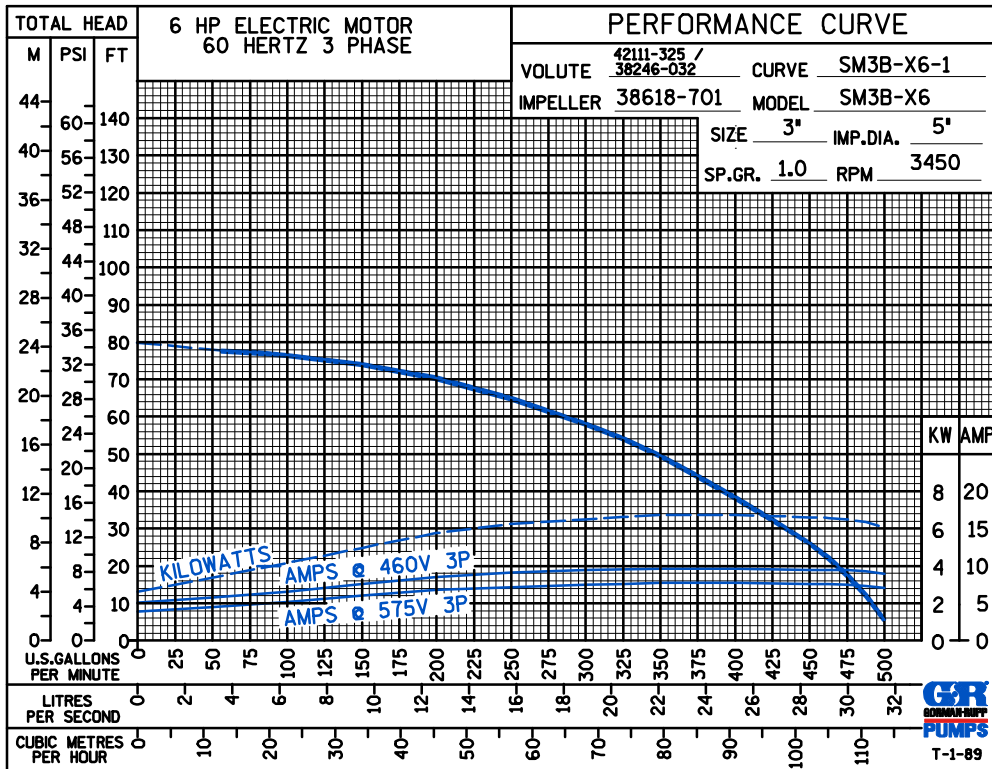
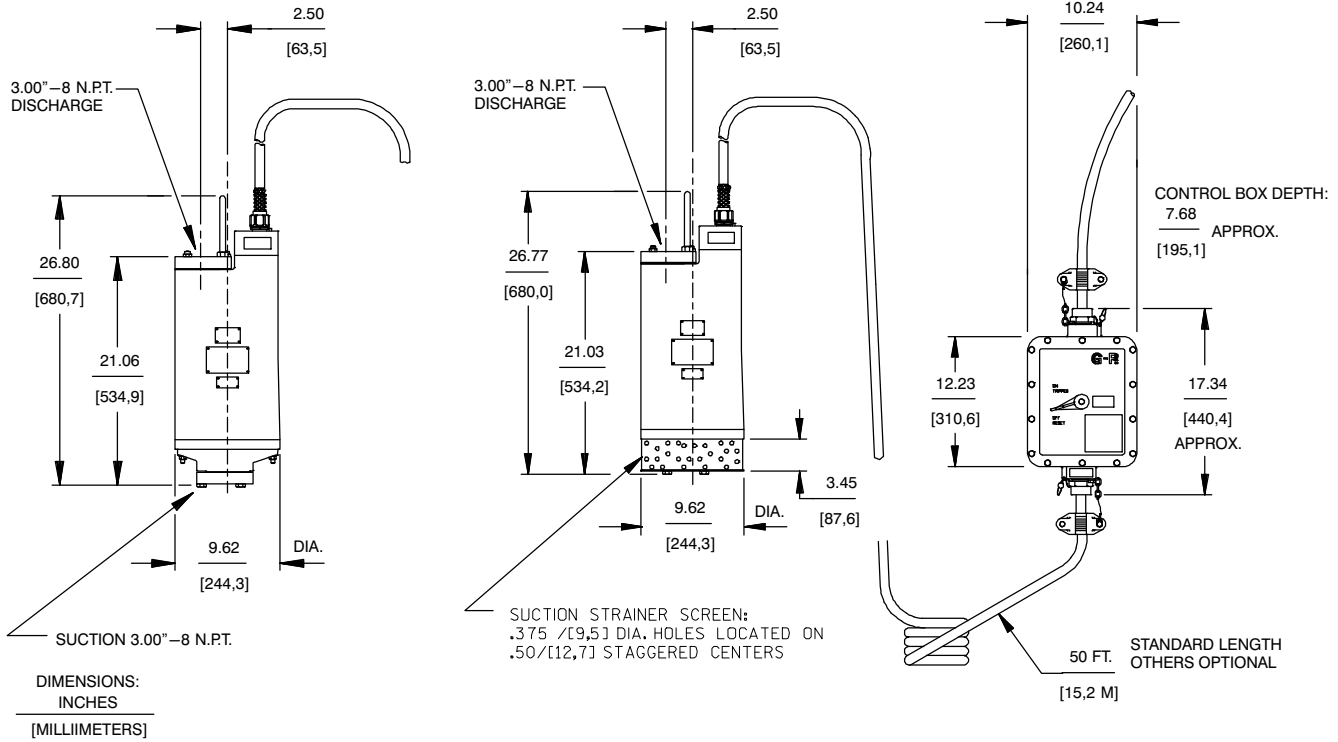
# Specification Data

SECTION 132, PAGE 350

APPROXIMATE  
DIMENSIONS and WEIGHTS

**PUMP & CABLE NET WEIGHT:**  
**CONTROL BOX NET WEIGHT:**  
**GROSS SHIPPING WEIGHT:**  
**EXPORT CRATE:**

**128 LBS. (58,1 KG.)**  
**35 LBS. (15,9 KG.)**  
**172 LBS. (78,0 KG.)**  
**7.7 CU. FT.(0,22 CU. M.)**



GORMAN-RUPP PUMPS

www.grpumps.com

Specifications Subject to Change Without Notice

Printed in U.S.A.