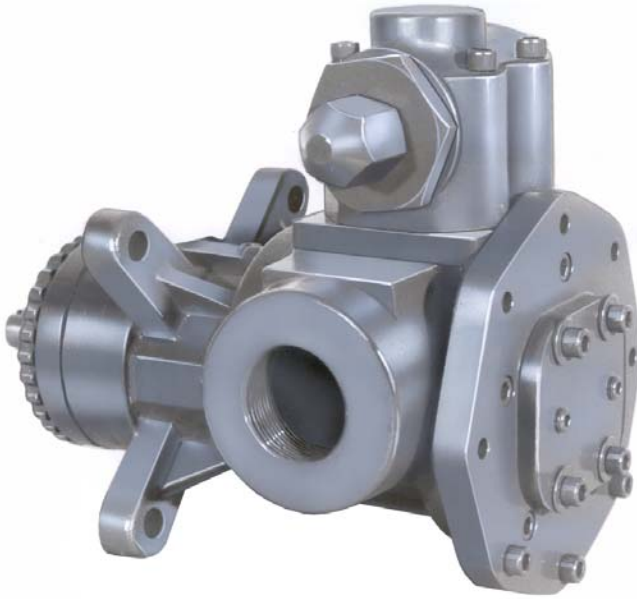
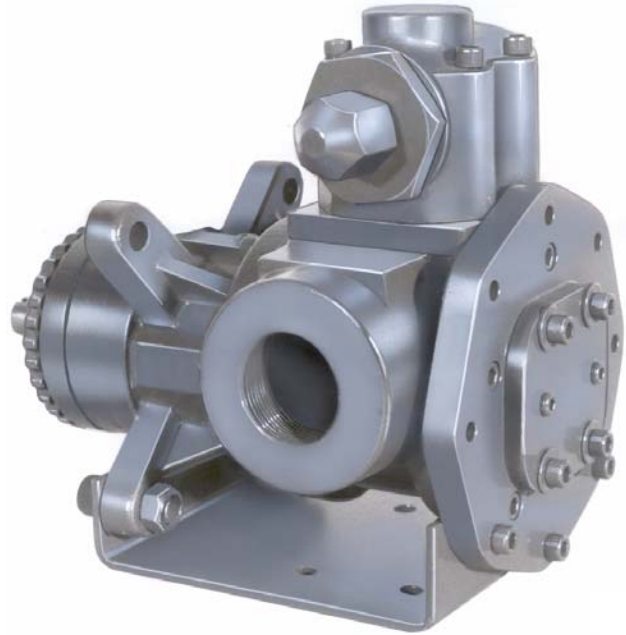


GHC SERIES HEAVY DUTY COMPACT ROTARY GEAR PUMP



SHOWN AS FLANGE MOUNT



SHOWN WITH FOOT BRACKET

The GHC iron series is designed for applications in the operating ranges noted below. These units are available with head jackets for temperature control, carbon graphite bushings for low viscosity liquids, silicon carbide bushings for wear resistance, and numerous shaft seal options described on the following pages.

These units may be foot mounted or, by using a motor adaptor, direct connected to NEMA "C" flange motors.

This heavy duty series provides superior rotor shaft support and an integral, maintenance-free radial/ thrust bearing for reduced deflection and wear.

FEATURES

*300 PSI CAPABILITY
 BALL BEARING THRUST CONTROL
 ROTOR END CLEARANCE EXTERNALLY
 ADJUSTABLE
 HIGH STRENGTH, COMPUTER
 PROFILED GEARING FOR QUIET
 OPERATION
 C-FLANGE MOTOR ADAPTATION
 MULTIPLE PORT POSITIONS*

OPERATING RANGE

CAPACITY (GPM): (3 TO 107)
 [LPM]: [11 TO 405]

PRESSURE (PSI) : [0 TO 300]
 [BAR]: [0 TO 21]

VISCOSITY (SSU): (28 TO 250,000)
 [cSt]: [1 TO 55,000]

TEMPERATURE (F) : (-60° TO 350°)
 [C] : [-51° TO 177°]

APPLICATIONS

USE WITH ANY CLEAN LIQUID
 COMPATIBLE WITH CAST
 IRON

- ★ BOOSTER SERVICE
- ★ CIRCULATING
- ★ FILTERING
- ★ LUBRICATING
- ★ TRANSFERRING
- ★ LOW PRESSURE
 FLUID POWER

EXTER- IOR	ROTOR & IDLER	HOUSING PORTS	BUSHINGS	IDLER PIN	SHAFT	SHAFT SEALING		ROTATION	INTERNAL RELIEF VALVE	
						MECH. SEAL ●	LIPSEAL ■		MATERIAL	SETTING
CAST IRON	HIGH STRENGTH IRON	180° TAPPED	BRONZE	HARDENED STEEL	STEEL	VITON	BUNA-N	C.W.	DUCTILE IRON	75 PSI [5 BAR]

Standard Models

G H C 1 DC 3 - B
 | | | | | | | | | |
 GEAR DUTY DESIGN PORT HYDRAULIC SEAL STYLE
 SIZE SIZE

MODEL NUMBER	NOM. CAPACITY - SPEED				MAXIMUM				SHIPPING DATA	
	MAXIMUM		ALTERNATIVE		DIFFERENTIAL PRESSURE-PSI [BAR]			TEMP.	Weight LBS [KG]	Volume CU. FT.
	GPM [LPM]	RPM 60 Hz [50 HZ]	GPM [LPM]	RPM ^③ 60 Hz [50 HZ]	BELOW 38 SSU [4 cSt]	38 TO 100 SSU [21 cSt]	100 TO 250,000 SSU [55,000 cSt]	°F [°C]		
GHC 1DC 3-B ● ① GHC 1DC 4-B ■ ①	9 [28]		6 [19]						29 [13,2]	0.6
GHC 1DE 3-B ● ① GHC 1DE 4-B ■ ①	11 [35]		7 [22]						30 [13,6]	0.6
GHC 1-1/2 GC 3-B ● GHC 1-1/2 GC 4-B ■	16 [50]		10 [32]						58 [26,4]	2.9
GHC 2 GC 3-B ● GHC 2 GC 4-B ■							300 [21]		58 [26,4]	2.9
GHC 1-1/2 GF 3-B ● GHC 1-1/2 GF 4-B ■	23 [73]	1750 [1460]	15 [47]	1150 [960]				350 [177]	58 [26,4]	2.9
GHC 2 GF 3-B ● GHC 2 GF 4-B ■					100 [7]	150 [10]			58 [26,4]	2.9
GHC 1-1/2 GH 3-B ● GHC 1-1/2 GH 4-B ■	31 [98]		20 [63]					225 [107]	58 [26,4]	2.9
GHC 2 GH 3-B ● GHC 2 GH 4-B ■									58 [26,4]	2.9
GHC 1-1/2 GJ 3-B ● ② GHC 1-1/2 GJ 4-B ■ ②	38 [120]		25 [79]						58 [26,4]	2.9
GHC 2 GJ 3-B ● ② GHC 2 GJ 4-B ■ ②							200 [14]		58 [26,4]	2.9
GHC 2 JG 3-B ● GHC 2 JG 4-B ■									128 [58,2]	5.3
GHC 2-1/2 JG 3-B ● GHC 2-1/2 JG 4-B ■	40 [126]	1150 [960]	30 [95]	870 [725]				300 [21]	128 [58,2]	5.3
GHC 3 JG 3-B ● GHC 3 JG 4-B ■									128 [58,2]	5.3

STANDARD MODELS
CONTINUED

● MECHANICAL SEAL ■ LIPSEAL

NOTE: RECOMMENDED PORT SIZES ARE SHOWN IN **BOLDFACE**. EXAMPLE: **GHC 1 DC 3-B**

- ① 3450 [2875] RPM PERMISSIBLE TO 1,000 SSU [220 cSt] AND 100 PSI [7 BAR]
- ② PUMP LIMITED TO 200 PSI MAXIMUM PRESSURE.
- ③ MAXIMUM SPEED FOR AMMONIA MODELS.

THE GORMAN-RUPP COMPANY • MANSFIELD, OHIO
GORMAN-RUPP OF CANADA LIMITED • ST. THOMAS, ONTARIO, CANADA

MODEL NUMBER	NOM. CAPACITY - SPEED				MAXIMUM				SHIPPING DATA	
	MAXIMUM		ALTERNATIVE		DIFFERENTIAL PRESSURE-PSI [BAR]			TEMP.	Weight	Volume
	GPM [LPM]	RPM 60 Hz [50 HZ]	GPM [LPM]	RPM ^② 60 Hz [50 Hz]	BELOW 38 SSU [4 cST]	38 TO 100 SSU [21 cST]	100 TO 250,000 SSU [55,000 cSt]	°F [°C]		
GHC 2 JJ 3-B ● GHC 2 JJ 4-B ■	56 [177]	1150 [960]	42 [133]	870 [725]	100 [7]	150 [10]	300 [21]	350 [177]	132	5.3
GHC 2-1/2 JJ 3-B ● GHC 2-1/2 JJ 4-B ■									[60]	5.3
GHC 3 JJ 3-B ● GHC 3 JJ 4-B ■									[60]	5.3
GHC 2 JL 3-B ● GHC 2 JL 4-B ■	77 [243]	1150 [960]	58 [183]	870 [725]	100 [7]	150 [10]	300 [21]	350 [177]	132	5.3
GHC 2-1/2 JL 3-B ● GHC 2-1/2 JL 4-B ■									[60]	5.3
GHC 3 JL 3-B ● GHC 3 JL 4-B ■									[60]	5.3
GHC 2 JP 3-B ● ① GHC 2 JP 4-B ■ ①	107 [338]	1150 [960]	81 [256]	870 [725]	100 [7]	150 [10]	200 [14]	225 [107]	132	5.3
GHC 2-1/2 JP 3-B ● ① GHC 2-1/2 JP 4-B ■ ①									[60]	5.3
GHC 3 JP 3-B ● ① GHC 3 JP 4-B ■ ①									[60]	5.3

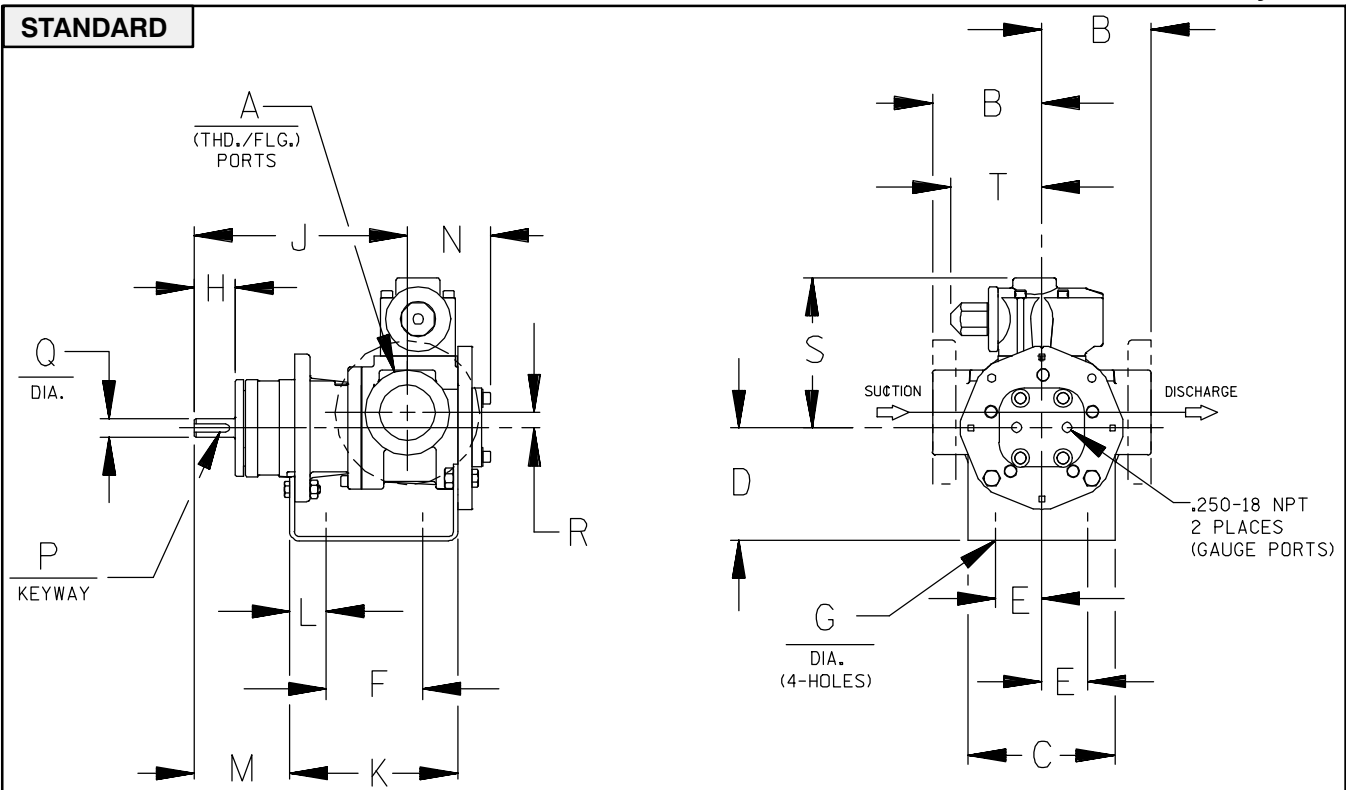
NOTE: RECOMMENDED PORT SIZES ARE SHOWN IN **BOLDFACE**. EXAMPLE: **GHC 1 DC 3-B**

- ① PUMP LIMITED TO 200 PSI MAXIMUM PRESSURE.
- ② MAXIMUM SPEED FOR AMMONIA MODELS.

APPLICATION RECOMMENDATIONS:		
APPLICATION	OPTIONS REQUIRED (Select One from Each Row)	OPERATING LIMITATIONS
AMMONIA	25G, 25H, 25R, 25S, 25T 40N 60K 70E 90A	PRESSURE: 200 PSI MAX. 2/3 RATED SPEED. 4 FEET NPSHr
LP GAS	25G OR 25H 40F OR 40N 70D OR 70E	PRESSURE: 200 PSI MAX. 3 FEET NPSHr

NOTE: PROPER PUMP APPLICATION REQUIRES CONSIDERATION OF ADDITIONAL FACTORS. PLEASE REVIEW APPLICATION GUIDE IN SECTION 500 OR CONSULT THE FACTORY.

Basic Pump Dimensions



CAD FILE NO.: 16458

MODEL NUMBERS	PUMP DIMENSIONS - INCHES [MILLIMETERS]																	
	A	B	C	D	E	F	G	H	J	K	L	M	N	P	Q	R	S	T
GHC D	1"	2.50 [64] †	4.00 [102]	3.50* [89]	1.62 [41]	3.12 [79]	.41 [10]	1.16 [30]	6.19 [157]	5.04 [128]	.76 [19]	2.62 [66]	2.74 [70]	.12 [3]	.50 [13]	.62 [16]	5.19 [132]	3.58 [91]
		2.75* [70]		4.50 [114]										5.25 [133]				
GHC G	1-1/2"	3.50 [89] †	5.88 [149]	3.50* [89]	1.62 [41]	4.00 [102]	.41 [10]	1.62	8.50 [216]	6.71 [170]	1.06 [27]	3.82 [97]	3.35 [85]	.19 [5]	.75 [19]	.62 [16]	6.00 [152]	3.62 [92]
		3.75* [95]		4.50 [114]										5.25 [133]				
GHC J	2-1/2"	4.50 [114] †	6.88 [175]	4.50 [114]	2.88 [73]	4.25 [108]	.44 [11]	2.50 [64]	12.12 [308]	9.75 [248]	1.75 [44]	5.50 [140]	4.66 [118]	.25 [6]	1.00 [25]	1.12 [28]	9.06 [230]	6.75 [171]
		5.00* [127]		5.25* [133]										2.00 [51]				
		6.00 [152] †		6.25 [159]										7.00 [178]				
	3"	6.31 † [160]		8.00 [203]														

* STANDARD DIMENSION

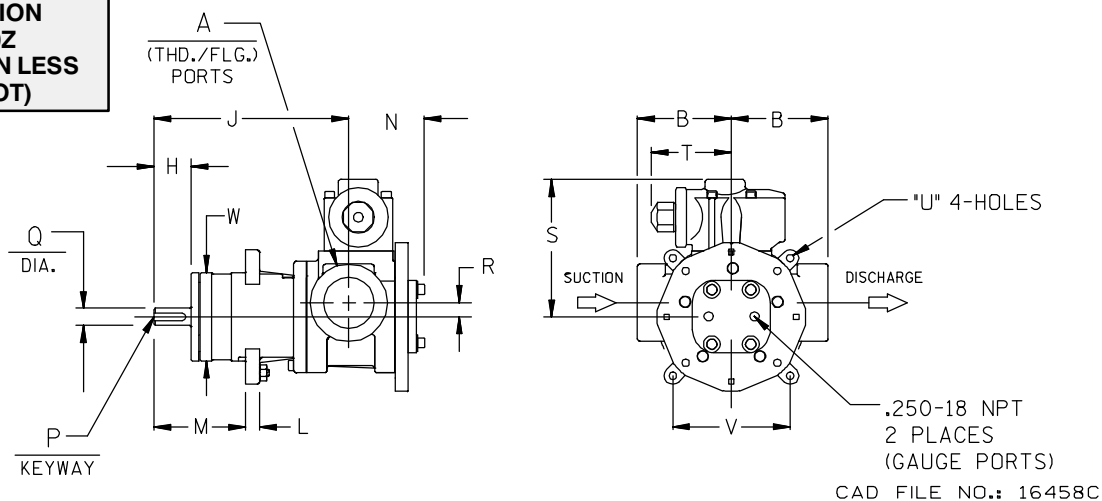
† 90° HOUSING

‡ PORTS ARE COMPATIBLE WITH 125* OR 250* ANSICAST IRON FLANGES. ALL OTHER PORTS ARE TAPPED NPT FOR ANSIPIPE. OPTIONAL (DIN) FLANGES OR TAPPED (BSP) PORTS AVAILABLE FOR EXPORT MARKET.

Continued —

Basic Pump Dimensions

**OPTION
80Z
(SHOWN LESS
FOOT)**



MODEL NUMBERS	PUMP DIMENSIONS - INCHES [MILLIMETERS]														
	A	B	H	J	L	M	N	P	Q	R	S	T	U	V	W
GHC D	1"	2.50 [64] †	1.16 [30]	6.19 [157]	.44 [11]	2.80 [71]	2.74 [70]	.12 [3] x .75 [19]	.50 [13]	.62 [16]	5.19 [132]	3.58 [91]	.41 [10]	3.00 [76]	2.85 [72]
		2.75* [70]													
		3.19 † [81]													
		4.00 † [102]													
GHC G	1-1/2"	3.50 [89] †	1.62 [41]	8.50 [216]	.62 [16]	4.00 [102]	3.35 [85]	.19 [5] x 1.25 [32]	.75 [19]	.62 [16]	6.00 [152]	3.62 [92]	.53 [13]	4.75 [121]	3.85 [98]
		3.75* [95]													
	2"	4.00 [102] †													
GHC J	2"	4.50 [114] †	2.50 [64]	12.12 [308]	.62 [16]	5.75 [146]	4.66 [118]	.25 [6] x 2.00 [51]	1.00 [25]	1.12 [28]	9.06 [230]	6.75 [171]	.53 [13]	4.75 [121]	4.85 [123]
		5.00* [127]													
	2-1/2"	6.00 † [152]													
	3"	6.31 † [160]													

* STANDARD DIMENSION

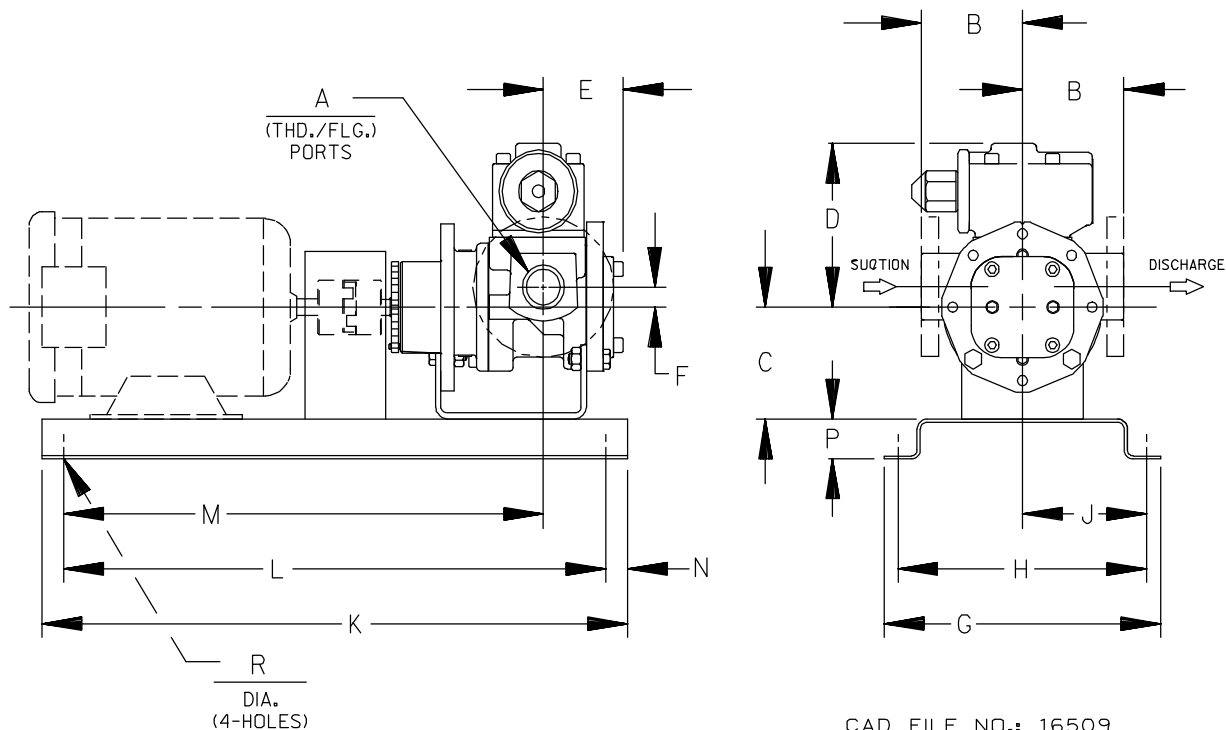
† PORTS ARE COMPATIBLE WITH 125# OR 250# ANSICAST IRON FLANGES. ALL OTHER PORTS ARE TAPPED NPT FOR ANSIPIPE, OPTIONAL (DIN) FLANGES OR TAPPED (BSP) PORTS AVAILABLE FOR EXPORT MARKET.

† 90° HOUSING



GHC

DIRECT FLEX DRIVE OPTION DIMENSIONS



CAD FILE NO.: 16509

PUMP MODEL	PUMP DIMENSIONS - INCHES[MILLIMETERS]																
	A	MOTOR FRAME	B	C	D	E	F	G	H	J	K	L	M	N	P	R	
GHC D	1'	56/56 H	2.50 † [64]	3.50 * [89]				10.14 [258]	8.88 [226]	4.44 [113]	25.25 [641]	19.25 [489]	20.50 [521]	3.00 [76]	2.00 [51]		
		143T/145T	2.75 * [70]														
		182T/184T	3.19 † [81]	4.50 [114]	5.19 [132]	2.73 [68]	.62 [16]		17.50 [445]	15.50 [394]	7.75 [197]	33.50 [851]	23.50 [597]	26.87 [682]	5.00 [127]	4.00 [102]	.56 [14]
		213T/215T	4.00 † [102]	5.25 [133]													
GHC G	1- 1/2"	56/56H	3.50 † [89]	3.50 * [89]				10.14 [258]	8.88 [226]	4.44 [113]	25.25 [641]	19.25 [489]	20.38 [518]	3.00 [76]	2.00 [51]		
		182T/184T	3.75 * [95]	4.50 [114]	6.00 [152]	3.35 [85]	.62 [16]		17.50 [445]	15.50 [394]	7.75 [197]	33.50 [851]	23.50 [597]	26.75 [679]	5.00 [127]	4.00 [102]	.56 [14]
	2"	213T/215T	4.00 † [102]	5.25 [133]													
		254T/256T	6.25 † [159]														
GHC J	2"	182T/184T	4.50 † [114]	4.50 [114]													
		213T/215T	5.25 * [133]	6.25 [159]	9.06 [230]	4.66 [118]	1.12 [28]	21.00 [533]	19.00 [483]	9.50 [241]	45.50 [1156]	35.50 [902]	38.38 [975]	5.00 [127]	4.00 [102]	.69 [18]	
	2- 1/2"	254T/256T	5.00 * [127]	7.00 [178]													
		284T/286T	6.00 † [152]	8.00 [203]													
3"	324T/326T		6.31 † [160]														

* STANDARD DIMENSION

† 90° HOUSING

┆ PORTS ARE COMPATIBLE WITH 125* OR 250* ANSICAST IRON FLANGES. ALL OTHER PORTS ARE TAPPED NPT FOR ANSI PIPE. OPTIONAL (DIN) FLANGES OR TAPPED (BSP) PORTS AVAILABLE FOR EXPORT MARKET.

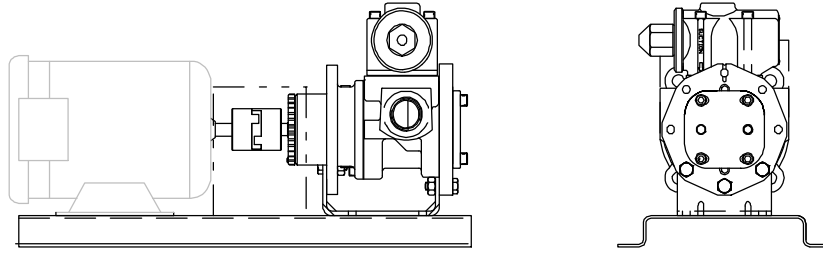
NOTE: CONSULT FACTORY FOR;
 1. HORSEPOWERS & FRAMES NOT SHOWN
 2. DRIP PAN BASES

REFERENCE: PUMP FOOT BRACKET OPTIONS		
MOTOR FRAME	CENTER HEIGHT	PUMP OPTION
56, 143T, 145T	3.50"	80C (STD. "D/G")
182, 182T, 184, 184T	4.50"	80F
213, 213T, 215, 215T	5.25"	80J (STD. "J")
254T, 254U, 256T, 256U	6.25"	80P
284T, 284U, 286T, 286U	7.00"	80S

GHC

DIRECT FLEX DRIVE OPTIONS

(Drive Assembly Number Includes Base, Coupling & Guard, But **NOT** the Motor)



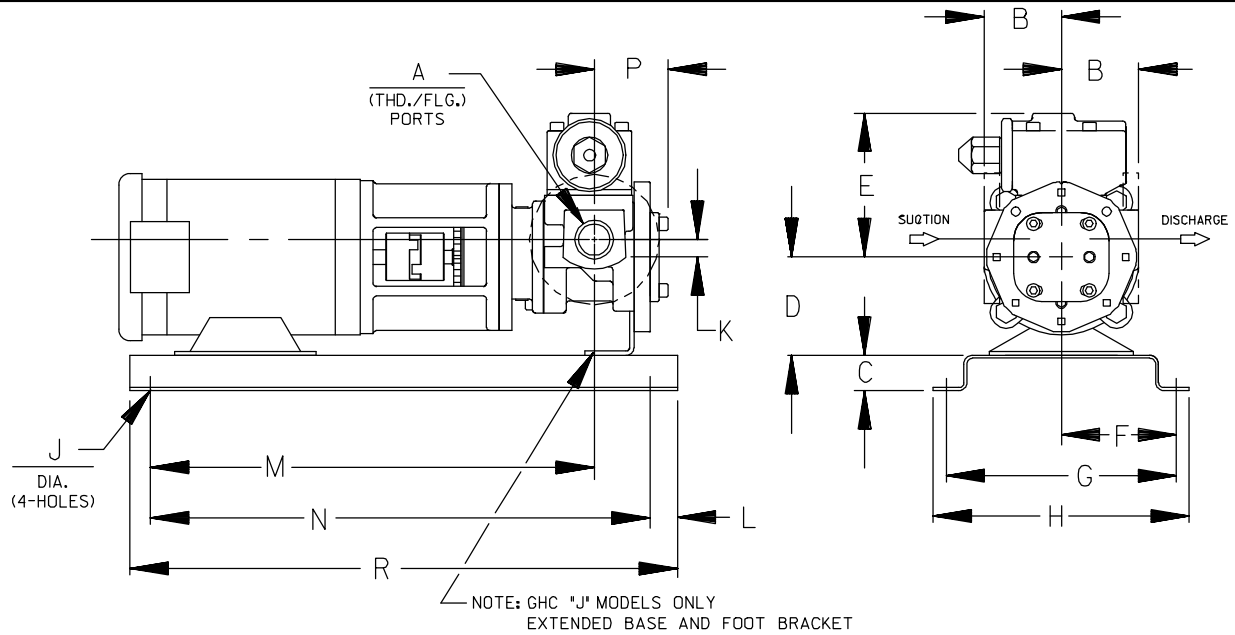
PUMP MODEL NUMBER	60 Hz RPM	50 Hz RPM	FRAME	MTG. FT. OPTION REQ.	DRIVE ASSY NO.
GHC D	3450 1750 1150 850	2900 1450 950 700	56/56H	STD	90351-086
			143T/145T	STD	90351-052
			184	80F	90351-089
			182T/184T	80F	90351-090
			213T/215T	80J	90351-094
GHC G	1750 1150 850	1450 950 700	56/56H	STD	90351-156
			143T/145T	STD	90351-162
			182T/184T	80F	90351-168
			213T/215T	80J	90351-206
			213T/215T	80J	90351-172
			254T	80P	90351-180
GHC J	1150 850	950 700	182T/184T	80F	90351-260
			213T/215T	STD	90351-268
			254T/256T	80P	90351-276
			284T/286T	80S	90351-280

**NOTE: CONSULT FACTORY FOR;
HORSEPOWERS & FRAMES NOT SHOWN
DRIP PAN BASES**



GHC

DIRECT FLEX C-FLANGE DRIVE OPTION DIMENSIONS



CAD FILE NO.: 16652

PUMP MODEL	PUMP DIMENSIONS - INCHES[MILLIMETERS]															
	A	MOTOR FRAME	B	C	D	E	F	G	H	J	K	L	M	N	P	R
GHC D	1"	56C	2.50 † [64]	2.00 [51]	3.50 [89]	5.19 [132]	6.25 [159]	12.50 [318]	14.50 [368]	.56 [14]	.62 [16]	2.00 [51]	17.24 [438]	12.75 [324]	2.73 [69]	16.75 [425]
		143TC/145TC	2.75 * [70]										17.55 [446]			
		182C/184C	3.12 † [79]										18.80 [478]			
GHC G	1- 1/2"	56C	3.50 † [89]	2.00 [51]	4.50 [114]	6.00 [152]	6.25 [159]	12.50 [318]	14.50 [368]	.56 [14]	.62 [16]	2.00 [51]	19.42 [493]	12.75 [324]	3.35 [85]	16.75 [425]
		143TC/145TC	3.75 * [95]										19.73 [501]			
	2"	182C/184C	4.00 † [102]	21.86 [555]												
		213TC/215TC	5.25 [133]													
GHC J	2"	182TC/184TC	4.50 † [114]	4.00 [102]	5.25 [133]	9.06 [230]	9.50 [241]	19.00 [483]	21.00 [533]	.69 [18]	1.12 [28]	5.00 [127]	26.86 [682]	35.50 [902]	4.66 [118]	45.50 [1156]
		213TC/215TC	5.00 * [127]										27.75 [705]			
	2- 1/2"	213TC/215TC	6.00 † [152]													
		254TC/256TC	6.31 † [160]													

* STANDARD DIMENSION

† PORTS ARE COMPATIBLE WITH 125# OR 250# ANSICAST IRON FLANGES. ALL OTHER PORTS ARE TAPPED NPT FOR ANSIPIPE. OPTIONAL (DIN) FLANGES OR TAPPED (BSP) PORTS AVAILABLE FOR EXPORT MARKET.

† 90° HOUSING

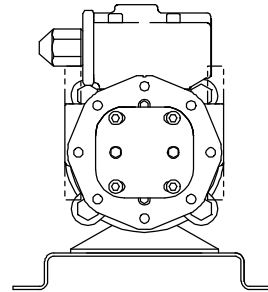
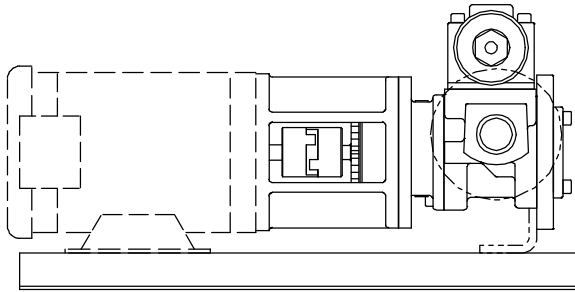
NOTE: CONSULT FACTORY FOR;
 1. HORSEPOWERS & FRAMES NOT SHOWN
 2. DRIP PAN BASES

REFERENCE: PUMP FOOT BRACKET OPTIONS

HYDRAULIC SIZE	MOTOR FRAME	PUMP OPTION
D	56C, 143TC, 145TC, 182C, 184C	80Y
G	56C, 143TC, 145TC, 182C, 184C	80Y
J	213TC, 215TC 254TC, 256TC	80X 80W

DIRECT FLEX C-FLANGE DRIVE OPTIONS

(Drive Assembly Number Includes Base & Coupling, But **NOT** the Motor)



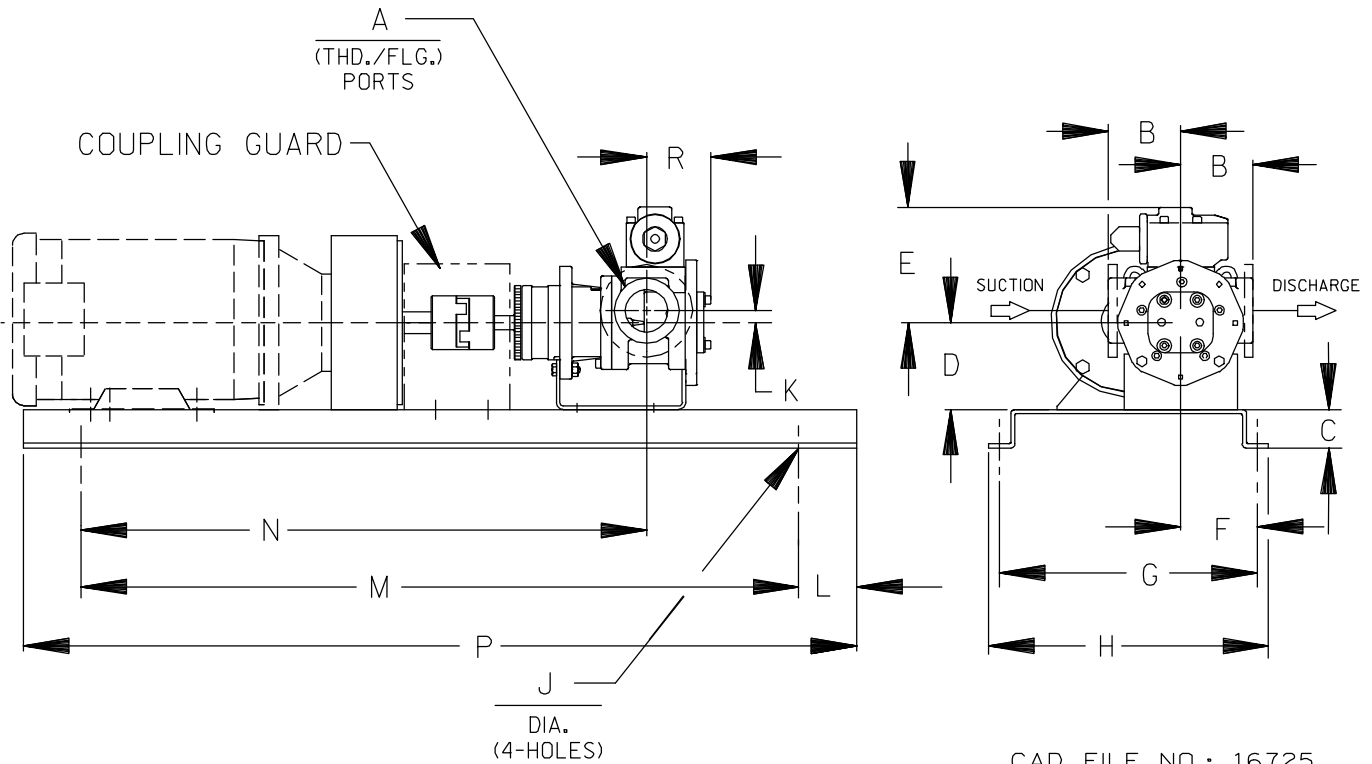
PUMP MODEL NUMBER	60Hz RPM	FRAME	MTG. FT. OPTION REQ.	DRIVE ASSY NO.
GHC D	3450	56C	80Y	90351-540
	1750	143TC	80Y	90351-541
	1150	145TC	80Y	90351-544
	850	184C	80Y	90351-590
GHC G	1750 1150 850	56C	80Y	90351-656
		143TC	80Y	90351-659
		145TC	80Y	90351-660
		184C	80Y	90351-668
		182TC	80X	90351-672
		184TC	80X	90351-674
GHC J	1150 850	213TC	80X	90351-764
		215TC	80X	90351-768
		254TC	80W	90351-772
		256TC	80W	90351-776
		184TC	80X	90351-814

**NOTE: CONSULT FACTORY FOR;
HORSEPOWERS & FRAMES NOT SHOWN
DRIP PAN BASES**



GHC

GRR REDUCER C-FLANGE FLEX DRIVE OPTION DIMENSIONS



PUMP MODEL	PUMP DIMENSIONS - INCHES[MILLIMETERS]																
	A	MOTOR FRAME	B	C	D	E	F	G	H	J	K	L	M	N	P	R	
GHC D	1"	56C	2.50 † [64]	2.00 [51]	3.50 [89] *	5.19 [132]	4.41 [112]	13.00 [330]	15.00 [381]	.56 [14]	.62 [16]	3.00 [76]	25.50 [648]	20.35 [517]	31.50 [800]	2.66 [68]	
		143TC/145TC	2.75 * [70]				4.50 [114]	5.50 [140]	14.63 [372]	16.63 [422]	.56 [14]	.62 [16]	3.00 [76]	37.25 [946]	27.05 [687]		43.25 [1099]
		182TC/184TC	3.19 † [81]														
		213TC/215TC	4.00 † [102]														
GHC G	1- 1/2"	56C	3.50 † [89]	2.00 [51]	3.50 [89] *	6.00 [152]	4.41 [112]	13.00 [330]	15.00 [381]	.56 [14]	.62 [16]	3.00 [76]	25.50 [648]	22.66 [576]	31.50 [800]	3.27 [83]	
		143TC/145TC	3.75 * [95]				4.50 [114]	5.50 [140]	14.63 [372]	16.63 [422]	.56 [14]	.62 [16]	3.00 [76]	37.25 [946]	29.35 [735]		43.25 [1099]
	182TC/184TC	3.75 * [95]															
	213TC/215TC	4.00 † [102]															
GHC J	2"	182TC/184TC	4.50 † [114]	2.00 [51]	4.50 [114]	9.06 [230]	5.50 [140]	14.63 [372]	16.63 [422]	.69 [18]	1.12 [28]	3.00 [76]	37.25 [946]	32.42 [823]	43.25 [1099]	4.56 [116]	
	2- 1/2"	213TC/215TC	5.00 * [127]														
		213TC/215TC	6.00 † [152]														
3"	213TC/215TC	6.31 † [160]	5.25 * [133]														

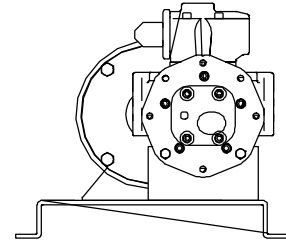
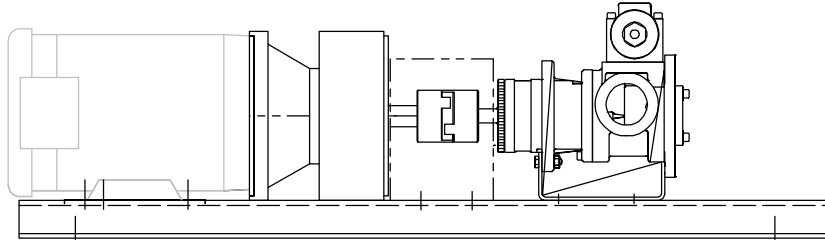
* STANDARD DIMENSION

† PORTS ARE COMPATIBLE WITH 125# OR 250# ANSICAST IRON FLANGES. ALL OTHER PORTS ARE TAPPED NPT FOR ANSIPIPE. OPTIONAL (DIN) FLANGES OR TAPPED (BSP) PORTS AVAILABLE FOR EXPORT MARKET.

† 90° HOUSING

GRR REDUCER C-FLANGE FLEX DRIVE OPTIONS

(Drive Assy Number Includes Base, Coupling, Guard & Gear Reducer, But **NOT** the Motor)



PUMP MODEL	RPM @ 1750	RPM @ 1150	REDUCER ①		FRAME	MTG.FT. OPTION REQ.	DRIVE ASSY NO.	
			RATIO	MAX HP @ 1750				MAX HP @ 1150
GHC D	875	575	2.00:1	6.00	3.96	56C	STD	90353-510
				6.00	3.96	143TC/145TC	STD	90353-516
				6.00	3.96	182C/184C	80F	90353-519
				20.00	13.2	182TC/184TC	80F	90353-526
	580	383	3.00:1	4.21	2.78	56C	STD	90353-530
				8.10	5.35	143TC/145TC	STD	90353-536
				8.10	5.35	182C/184C	80F	90353-539
	440	288	4.00:1	12.98	8.57	182TC/184TC	80F	90353-546
				3.63	2.39	56C	STD	90353-550
				5.90	3.89	143TC/145TC	STD	90353-556
				5.90	3.89	182C/184C	80F	90353-564
	350	230	5.00:1	11.35	7.49	56C	STD	90353-568
				3.00	1.98	143TC/145TC	STD	90353-570
				3.00	1.98	182C/182C	80F	90353-573
				5.90	3.89	182TC/184TC	80F	90353-579
				10.07	6.65	182TC/184TC	80F	90353-586

(CONT'D)

① Listed reducer horsepower rated for Standard Service (8-10 hrs/day). For Light Service (3-5 hrs/day) multiply maximum rated horsepower by 1.1. For Heavy Service (16-24 hrs/day) multiply maximum rated horsepower by 0.9.

**NOTE: CONSULT FACTORY FOR;
HORSEPOWERS & FRAMES NOT SHOWN
DRIP PAN BASES**



GHC

SEC. 540

PAGE 22

January 2010

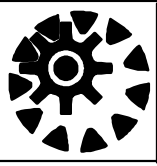
GRR REDUCER C-FLANGE FLEX DRIVE OPTIONS

(Drive Assy Number Includes Base, Coupling, Guard & Gear Reducer, But **NOT** the Motor)

PUMP MODEL	RPM @ 1750	RPM @ 1150	REDUCER ^①		FRAME	MTG.FT. OPTION REQ.	DRIVE ASSY NO.	
			RATIO	MAX HP @ 1750				MAX HP @ 1150
GHC G	875	575	2.00:1	5.65	3.73	56C	STD	90353-610
				11.70	7.72	143TC/145TC	STD	90353-619
				11.70	7.72	182C/184C	80F	90353-622
				13.01	8.59	182TC/184TC	80F	90353-625
				13.01	8.59	213TC/215TC	80J	90353-627
	580	383	3.00:1	3.76	2.48	56C	STD	90353-630
				8.10	5.35	143TC/145TC	STD	90353-633
				8.10	5.35	182C/184C	80F	90353-642
				10.62	7.01	182TC/184TC	80F	90353-646
				10.62	7.01	213TC/215TC	80J	90353-648
	440	288	4.00:1	2.82	1.86	56C	STD	90353-660
				5.90	3.89	143TC/145TC	STD	90353-663
				5.90	3.89	182C/184C	80F	90353-672
				7.24	4.78	182TC/184TC	80F	90353-675
				7.24	4.78	213TC	80J	90353-677
	350	230	5.00:1	2.26	1.49	56C	STD	90353-690
				5.20	3.43	143TC/145TC	STD	90353-699
				5.20	3.43	182C/184C	80F	90353-702
				5.98	3.95	182TC/184TC	80F	90353-706
				5.98	3.95	213TC	80J	90353-708
GHC J	875	575	2.00:1	13.01	8.59	182TC/184TC	80F	90353-720
				13.01	8.59	213TC/215TC	80J	90353-724
				36.29	23.95	254TC/256TC	80P	90353-728
				36.29	23.95	284TC/286TC	80P	90353-732
	580	383	3.00:1	10.62	7.01	182TC/184TC	80F	90353-735
				10.62	7.01	213TC/215TC	80J	90353-739
	555	365	3.15:1	25.76	17.00	254TC/256TC	80P	90353-743
				25.76	17.00	284TC	80P	90353-746
				42.96	28.35	286TC	80P	90353-747
	440	288	4.00:1	7.24	4.78	182TC/184TC	80F	90353-750
				7.24	4.78	213TC	80J	90353-754
	350	230	5.00:1	5.98	3.95	182TC/184TC	80F	90353-765
				5.98	3.95	213TC	80J	90353-769
				16.01	10.57	215TC	80P	90353-774
				16.01	10.57	254TC	80P	90353-778
			30.49	20.12	356TC	80P	90353-780	

① Listed reducer horsepower rated for Standard Service (8-10 hrs/day). For Light Service (3-5 hrs/day) multiply maximum rated horsepower by 1.1. For Heavy Service (16-24 hrs/day) multiply maximum rated horsepower by 0.9.

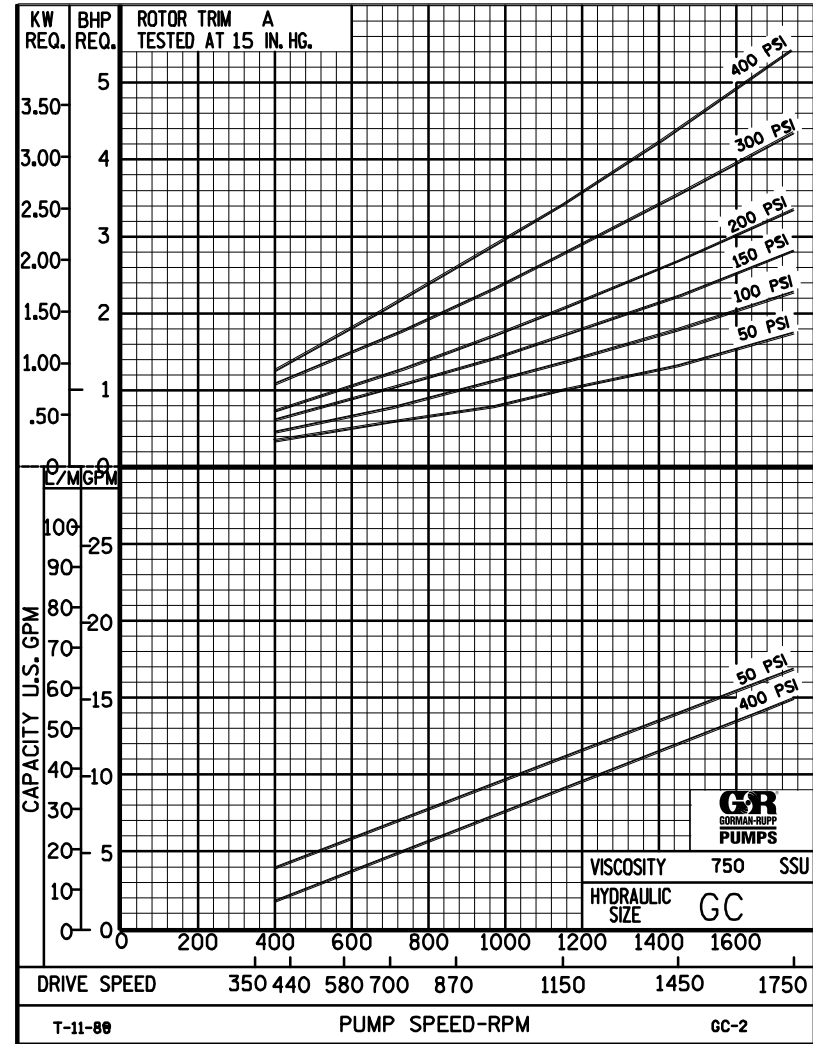
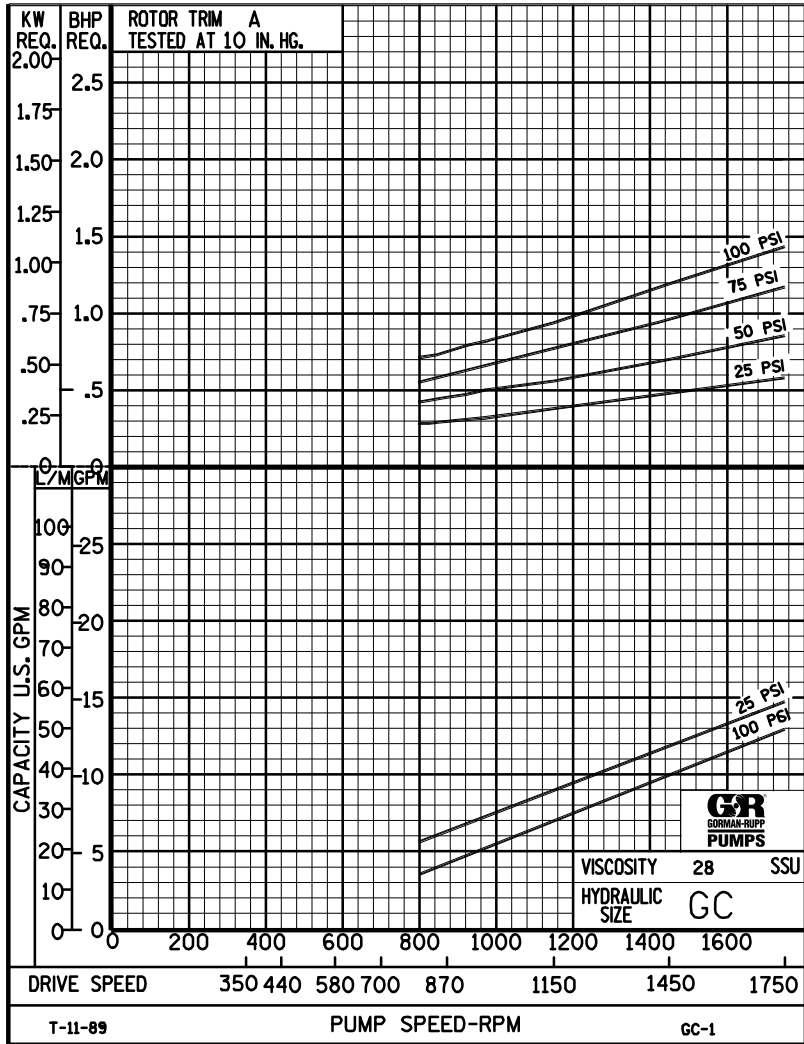
NOTE: CONSULT FACTORY FOR;
HORSEPOWERS & FRAMES NOT SHOWN
DRIP PAN BASES



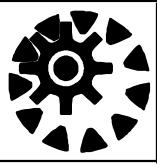
PERFORMANCE CURVES

SPEED VS. CAPACITY/HORSEPOWER

GC Hydraulic Size



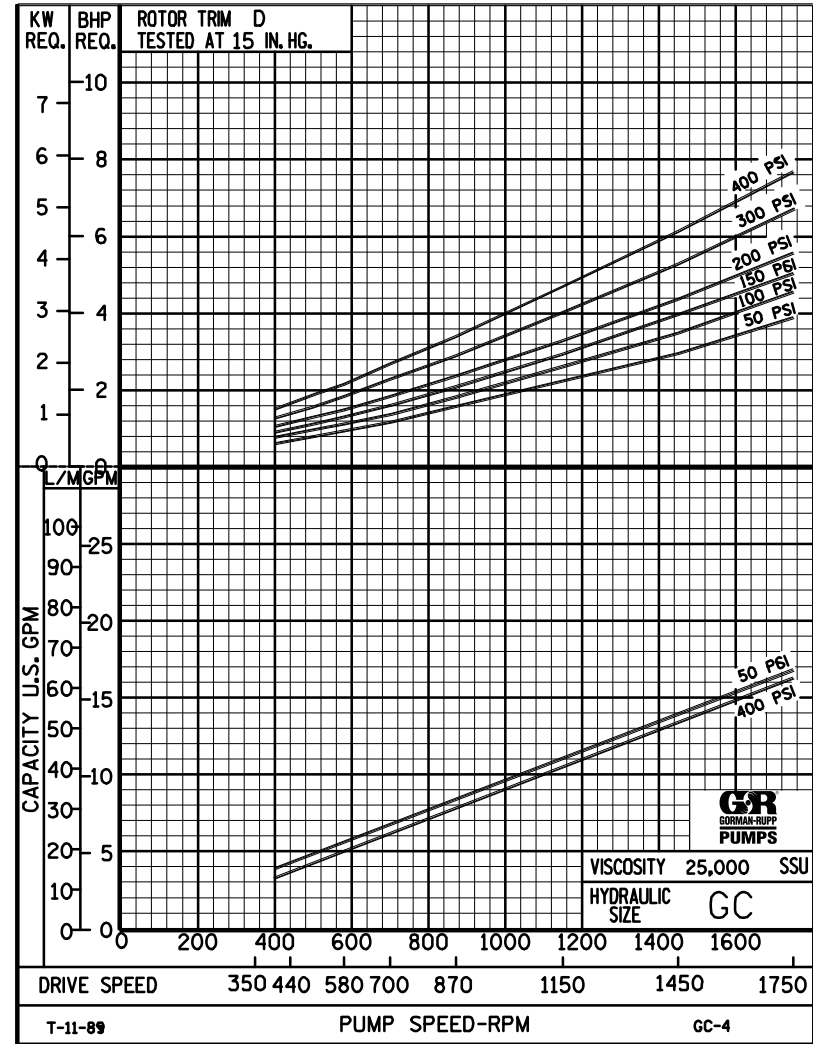
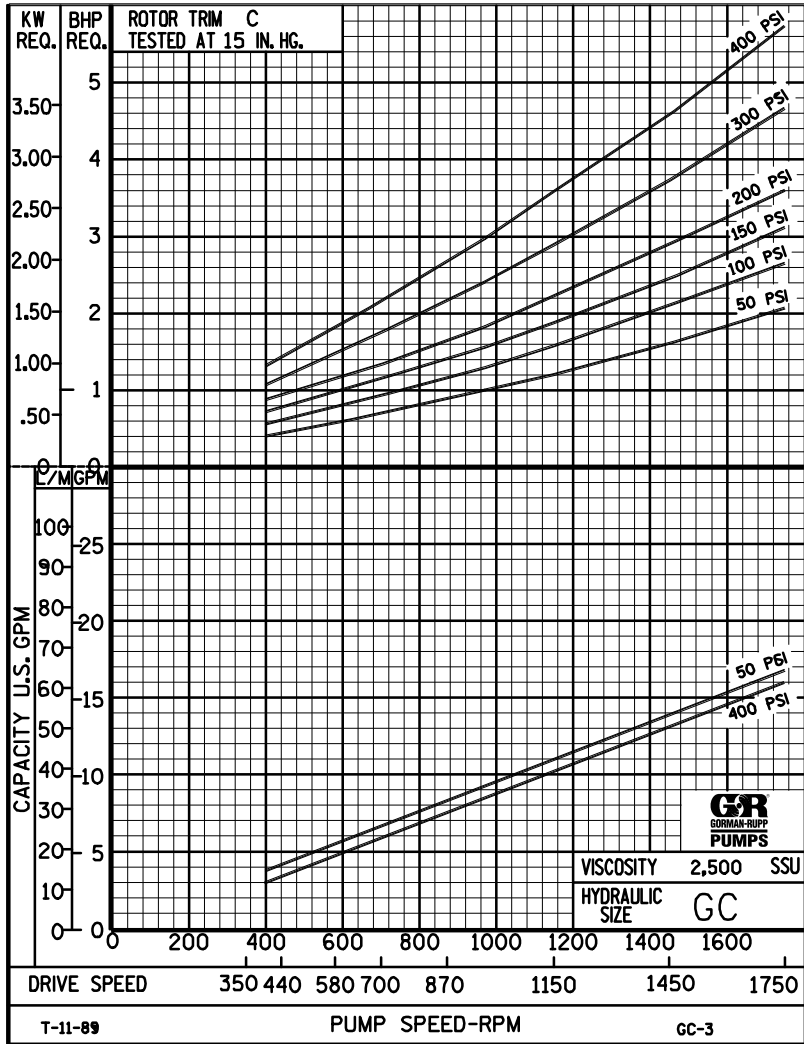
THE GORMAN-RUPP COMPANY • MANSFIELD, OHIO
 GORMAN-RUPP OF CANADA LIMITED • ST. THOMAS, ONTARIO, CANADA



PERFORMANCE CURVES

SPEED VS. CAPACITY/HORSEPOWER

GC Hydraulic Size



THE GORMAN-RUPP COMPANY • MANSFIELD, OHIO
 GORMAN-RUPP OF CANADA LIMITED • ST. THOMAS, ONTARIO, CANADA



GC

PUMP HYDRAULIC SIZE CHART

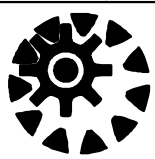
SEC. 500

Page 40
January 2010

16 GPM
1750 RPM

NOMINAL		ROTOR TRIM	VISCOSITY (SSU)	N.I.P.R. (PSIA)	FRICTION PIPE LOSS (PSI/FT) (Based on Sch 40 Steel Pipe)					FULL BYPASS RELIEF VALVE PRESSURE (PSI)					CAPACITY (GPM) / H.P. REQUIRED											
CAP. GPM	SPEED RPM				PIPE DIAMETER					CRACKING PRESS. (PSI)					DIFFERENTIAL PRESSURE (PSI)											
					3/4"	1"	1 1/4"	1 1/2"	2"	LOW PRES R/V			HI PRES R/V		MEDIUM DUTY AND HEAVY DUTY				HEAVY DUTY ONLY							
16	1750	STD	28	3.6	.01	.01	.01	.01	.01	60	87	112			14.0	13.0	13.0	12.0								
			32		.19	.06	.02	.01	.01						.58	.85	1.2	1.4								
			38	3.6	.24	.08	.02	.01	.01	60	87	112	162			15.0	14.0	14.0	13.0	12.0						
			50		.30	.10	.03	.01	.01							.88	1.0	1.3	1.6	2.2						
			70	3.6	.35	.11	.03	.02	.01	61	88	114	164	216			16.0	15.0	15.0	14.0	14.0	13.0				
			100		.40	.13	.03	.02	.01								1.1	1.2	1.5	1.8	2.3	2.8				
			150	3.6	.45	.16	.04	.02	.01	61	88	114	164	218			16.0	16.0	16.0	15.0	15.0	14.0	14.0	12.0		
			200		.50	.19	.06	.04	.01								1.2	1.4	1.7	2.0	2.5	3.1	4.1	5.2		
			300	3.6	.62	.24	.08	.04	.02	61	88	116	166	220			16.0	16.0	16.0	16.0	15.0	15.0	15.0	13.0		
			500		1.02	.39	.13	.07	.03								1.4	1.6	2.0	2.2	2.8	3.3	4.2	5.4		
		750	3.6	1.53	.59	.20	.11	.04	61	88	116	166	223			17.0	17.0	16.0	16.0	16.0	16.0	15.0	15.0			
		1,000		2.04	.78	.26	.14	.05								1.5	1.8	2.0	2.3	2.8	3.3	4.3	5.5			
				"C"	2,000	4.5	4.08	1.56	.52	.28	.11	63	91	116	166	223			17.0	16.0	16.0	16.0	16.0	16.0	16.0	15.0
					3,500		7.14	2.72	.91	.49	.18								1.8	2.1	2.4	2.7	3.1	3.6	4.7	5.7
					5,000	5.0	10.2	3.89	1.30	.70	.26	66	93	118	168	225			17.0	16.0	16.0	16.0	16.0	16.0	16.0	16.0
					7,500		15.3	5.83	1.95	1.05	.39								2.2	2.6	3.0	3.2	3.7	4.1	5.2	6.2
					10,000	5.7	20.4	7.77	2.60	1.40	.52	69	95	120	170	225			17.0	16.0	16.0	16.0	16.0	16.0	16.0	16.0
					15,000		30.6	11.7	3.89	2.10	.78								2.8	3.2	3.5	3.8	4.3	4.8	5.9	6.9
				20,000	6.1	40.8	15.6	5.19	2.80	1.03	73	98	123	173	225			16.0	16.0	16.0	16.0	16.0	16.0	16.0	16.0	
				25,000		51.0	19.4	6.49	3.50	1.29								3.4	3.9	4.2	4.6	5.0	5.6	6.6	7.7	
		50,000																								
		75,000																								
		100,000																								
		150,000																								
		200,000																								
		250,000																								

(NOTE) For speeds not shown on the pump hydraulic charts, consult factory.



GC

PUMP HYDRAULIC SIZE CHART

SEC. 500

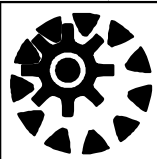
Page 41

January 2010

**10 GPM
1150 RPM**

NOMINAL		ROTOR TRIM	VISCOSITY (SSU)	N.I.P.R. (PSIA)	FRICTION PIPE LOSS (PSI/FT) <small>(Based on Sch 40 Steel Pipe)</small>					FULL BYPASS RELIEF VALVE PRESSURE (PSI)					CAPACITY (GPM) / H.P. REQUIRED												
CAP. GPM	SPEED RPM				PIPE DIAMETER					CRACKING PRESS. (PSI)					DIFFERENTIAL PRESSURE (PSI)												
					3/4"	1"	1 1/4"	1 1/2"	2"	LOW PRES R/V			HI PRES R/V		MEDIUM DUTY AND HEAVY DUTY				HEAVY DUTY ONLY								
10	1150	STD	28	2.0	.01	.01	.01	.01	.01	56	81	106				9.0	8.0	7.0	6.0								
			32		.08	.03	.01	.01	.01							.38	.56	.77	.94								
			38	2.0	.11	.04	.01	.01	.01	56	81	106	157				9.5	8.5	8.5	7.5	6.0						
			50		.13	.04	.01	.01	.01								.43	.62	.82	.99	1.6						
			70	2.0	.14	.05	.02	.01	.01	56	81	107	158	209				10.0	9.5	9.5	9.0	8.0	7.5				
			100		.14	.05	.02	.01	.01									.54	.78	1.0	1.2	1.7	1.9				
			150	2.0	.17	.07	.03	.02	.01	57	82	108	158	211				10.0	10.0	10.0	10.0	9.5	8.5	7.5	6.0		
			200		.30	.12	.04	.02	.01									.58	.82	1.0	1.2	1.7	2.0	2.7	3.4		
			300	2.0	.39	.15	.05	.02	.01	57	82	109	159	212				11.0	10.0	10.0	10.0	10.0	10.0	9.0	7.5		
			500		.64	.24	.08	.05	.02									.66	.95	1.2	1.4	1.8	2.0	2.8	3.5		
		750	2.0	.96	.36	.12	.07	.03	57	82	111	161	214				11.0	11.0	11.0	11.0	10.0	10.0	9.5	9.0			
		1,000		1.28	.49	.16	.09	.03									.73	1.0	1.2	1.4	1.8	2.1	2.9	3.5			
		2,000	2.5	2.55	.97	.33	.18	.07	58	85	112	162	214				11.0	11.0	11.0	11.0	10.0	10.0	10.0	10.0			
		3,500		4.46	1.70	.57	.31	.12									.91	1.3	1.5	1.7	2.0	2.3	3.0	3.7			
		5,000	2.9	6.38	2.43	.81	.44	.16	60	85	112	162	214				11.0	11.0	11.0	11.0	11.0	10.0	10.0	10.0			
		7,500		9.57	3.64	1.22	.66	.24									1.1	1.5	1.8	1.9	2.4	2.6	3.3	3.9			
		10,000	3.2	12.8	4.86	1.62	.88	.32	63	88	114	166	216				11.0	11.0	11.0	11.0	11.0	11.0	10.0	10.0			
		15,000		19.2	7.29	2.43	1.31	.49									1.3	1.9	2.1	2.2	2.7	2.9	3.6	4.3			
		20,000	3.5	25.5	9.71	3.24	1.75	.65	66	91	116	168	218				11.0	11.0	11.0	11.0	11.0	11.0	10.0	10.0			
		25,000		31.9	12.2	4.05	2.19	.81									1.7	2.3	2.4	2.6	2.9	3.3	4.0	4.7			
50,000	5.4	63.8	24.3	8.11	4.38	1.61	69	94	122	172	224				11.0	11.0	11.0	11.0	11.0	11.0	10.0	10.0					
75,000		95.7	36.4	12.2	6.56	2.42									2.6	3.6	3.8	4.0	4.5	5.2	6.0	6.8					
100,000																											
150,000																											
200,000																											
250,000																											

(NOTE) For speeds not shown on the pump hydraulic charts, consult factory.



GC

PUMP HYDRAULIC SIZE CHART

SEC. 500

Page 42

January 2010

**8 GPM
870 RPM**

NOMINAL		ROTOR TRIM	VISCOSITY (SSU)	N.I.P.R. (PSIA)	FRICTION PIPE LOSS (PSI/FT) <small>(Based on Sch 40 Steel Pipe)</small>					FULL BYPASS RELIEF VALVE PRESSURE (PSI)					CAPACITY (GPM) / H.P. REQUIRED													
CAP. GPM	SPEED RPM				PIPE DIAMETER					CRACKING PRESS. (PSI)					DIFFERENTIAL PRESSURE (PSI)													
					3/4"	1"	1 1/4"	1 1/2"	2"	LOW PRES R/V		HI PRES R/V			MEDIUM DUTY AND HEAVY DUTY				HEAVY DUTY ONLY									
8	870	STD	28	1.4	.01	.01	.01	.01	.01	56	81	106					6.5	5.5	4.5	4.0								
			32		.06	.02	.01	.01	.01								.28	.45	.61	.77								
			38	1.4	.07	.03	.01	.01	.01	56	81	106	157															
			50		.09	.03	.01	.01	.01																			.39
			70	1.4	.10	.04	.01	.01	.01	56	81	107	158	209														
			100		.10	.04	.01	.01	.01																			
			150	1.4	.15	.05	.02	.01	.01	57	82	108	158	211														
			200		.24	.08	.03	.02	.01																			
			300	1.4	.31	.12	.04	.02	.01	57	82	109	159	212														
			500		.51	.19	.07	.04	.01																			
			750	1.4	.77	.29	.10	.05	.02	57	82	111	161	214														
			1,000		1.02	.39	.14	.07	.03																			
		2,000	1.8	2.04	.78	.26	.14	.05	58	85	112	162	214															
		3,500		3.57	1.36	.46	.25	.09																				.76
		5,000	2.1	5.01	1.94	.65	.35	.13	60	85	112	162	214															
		7,500		7.65	2.91	.97	.53	.19																				.92
		10,000	2.4	10.2	3.88	1.30	.70	.26	63	88	114	166	216															
		15,000		15.3	5.83	1.95	1.05	.39																				1.1
		20,000	2.7	20.4	7.77	2.59	1.40	.52	66	91	116	168	218															
		25,000		25.5	9.71	3.24	1.75	.65																				1.2
		50,000	4.3	51.1	19.4	6.50	3.50	1.29	68	93	120	170	222															
		75,000		76.5	29.1	9.73	5.25	1.93																				1.8
		100,000	6.2	102	38.9	13.0	7.00	2.58	70	95	122	172	224															
		150,000		153	58.0	19.5	10.5	3.87																				2.3
200,000																												
250,000																												

(NOTE) For speeds not shown on the pump hydraulic charts, consult factory.

