

B

Use With: OM-03989
MR-03991

PUBLICATION NUMBER PL-03993-02
January 27, 1994; Rev. A - 07/30/98



PUMP MODEL RD4A32-BAR

**MANUAL
PART 2 of 3**

**PARTS
LIST
WITH
PERFORMANCE CURVE**

THE GORMAN-RUPP COMPANY • MANSFIELD, OHIO

GORMAN-RUPP OF CANADA LIMITED • ST. THOMAS, ONTARIO, CANADA Printed in U.S.A.

©Copyright by the Gorman-Rupp Company

PERFORMANCE CURVE – SECTION A

RECORDING MODEL AND SERIAL NUMBERS

Please record the pump model and serial number in the spaces provided below and in the separate Installation/Operation Manual accompanying your pump. Your Gorman-Rupp distributor needs this information when you require parts or service.

Pump Model: _____

Serial Number: _____

WARRANTY INFORMATION

The pump warranty is provided as part of Gorman-Rupp's support program for customers who operate and maintain their equipment as described in this manual and other accompanying literature. Please note that should the equipment be abused or modified to change its performance beyond the original factory specifications, the warranty will become void and any claim will be denied.

PERFORMANCE CURVES

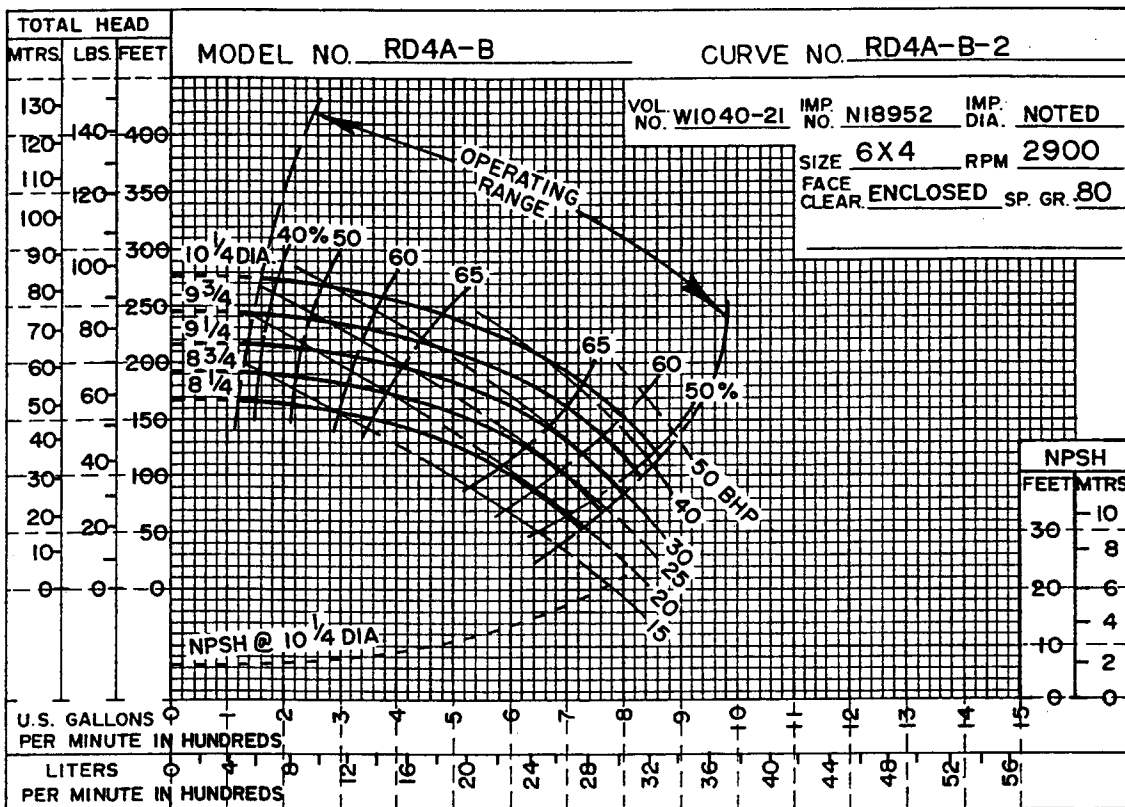
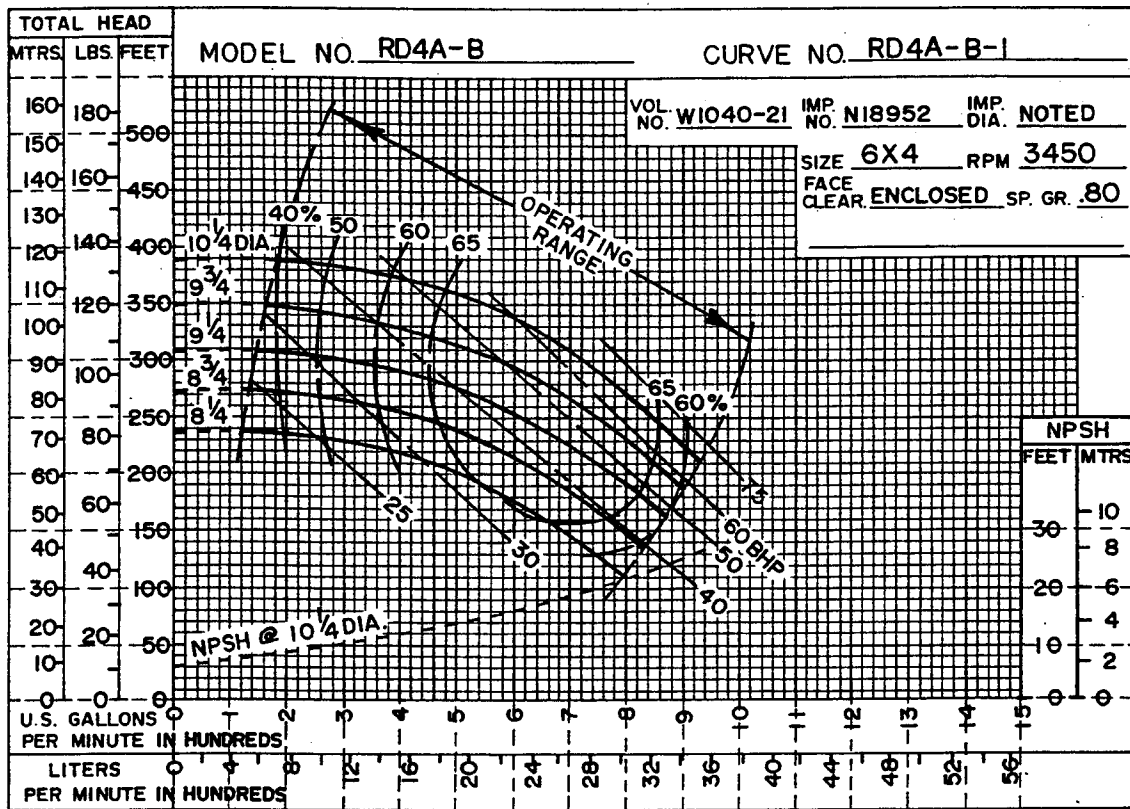
The performance curves on the following page are based on 70° F (21° C) clear water at sea level, corrected to 0.80 specific gravity, with minimum suction lift. Since pump installations are seldom identical, your performance may be different due to such factors as viscosity, specific gravity, elevation, temperature, and impeller trim.

If your pump serial number is followed by an "N", your pump is **NOT** a standard production model. Contact the Gorman-Rupp Company to verify performance or part numbers.

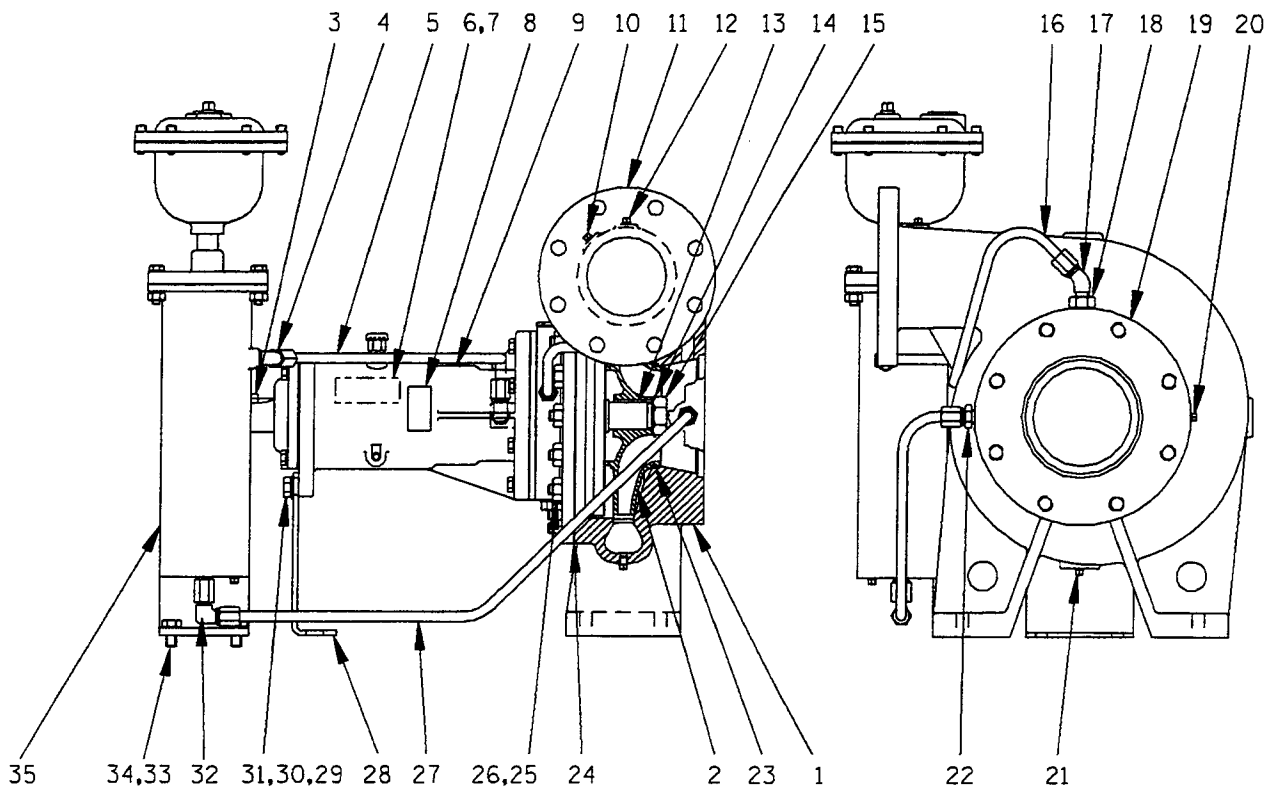


Pump speed and operating condition points must be within the continuous performance range shown on the curve(s).

This Page Intentionally Blank



Performance Curve - Model RD4A32-BAR



**S/N 1054588 Up
PUMP ISSUE 2**

**PARTS LIST
Pump Model RD4A32-BAR**

If your pump serial number is followed by an "N", your pump is NOT a standard production model. Contact the Gorman-Rupp Company to verify part numbers.

ITEM NO.	PART NAME	PART NUMBER	MAT'L CODE	QTY	ITEM NO.	PART NAME	PART NUMBER	MAT'L CODE	QTY
1	PUMP CASING	W01040-21	10140	1	23 †	WEAR RING	NOT AVAILABLE		2
2 *	IMPELLER	N18952	13040	1	24 *	PUMP CASING GASKET	R11618	20000	1
3 *	SHAFT KEY	N0611	15990	1	25	STUD	C0807	15991	18
4	MALE ELBOW	25812-161	----	1	26	HEX NUT	D08	15991	18
5	DISCH TUBE ASSY	R12175	----	1	27	RETURN TUBE ASSY	T07256	----	1
6	NAME PLATE	2613DZ	13990	1	28	BEARING HSG SUPPORT	R12852-02	15990	1
7	DRIVE SCREW	BM#04-03	15990	2	29	HEX HD CAPSCREW	B0805	15991	2
8	LUBE DECAL	38816-074	----	1	30	LOCKWASHER	J08	15991	2
9	BRG HOUSING ASSY	44143-107	----	1	31	FLAT WASHER	K08	15991	2
10	PIPE PLUG	P02	15079	1	32	MALE ELBOW	25812-011	----	1
11	DISCHARGE STICKER	6588BJ	----	1	33	HEX HD CAPSCREW	B0805	15991	2
12	PIPE PLUG	P02	15079	1	34	LOCKWASHER	J08	15991	2
13 *	IMPELLER KEY	K79330-23	15990	1	35 ●	AIR RELEASE VALVE	GRP33-06B	----	1
14	LOCKWASHER	S302	----	1					
15	IMPELLER NUT	K76645	15111	1	NOT SHOWN:				
16	SUCTION TUBE ASSY	R11643	----	1	* DISCH FLANGE GASKET	N14147	18000		1
17	MALE ELBOW	25812-161	----	1	* SUCTION FLANGE GSKT	1679G	18000		1
18	STRAINER	26841-074	----	1	INSTRUCTION TAG	38817-011	----		1
19	SUCTION STICKER	6588AG	----	1	OPTIONAL:				
20	PIPE PLUG	P02	15079	1	BRONZE IMPELLER	N18952	14150		1
21	PIPE PLUG	P02	15079	1					
22	MALE CONNECTOR	25812-214	----	1					

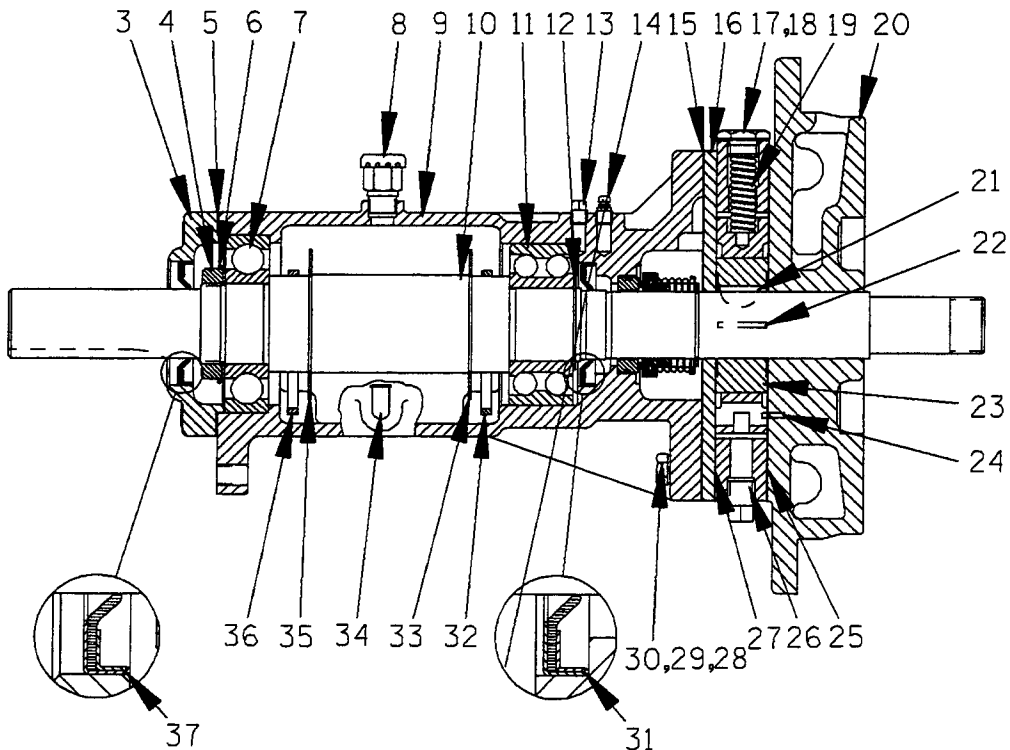
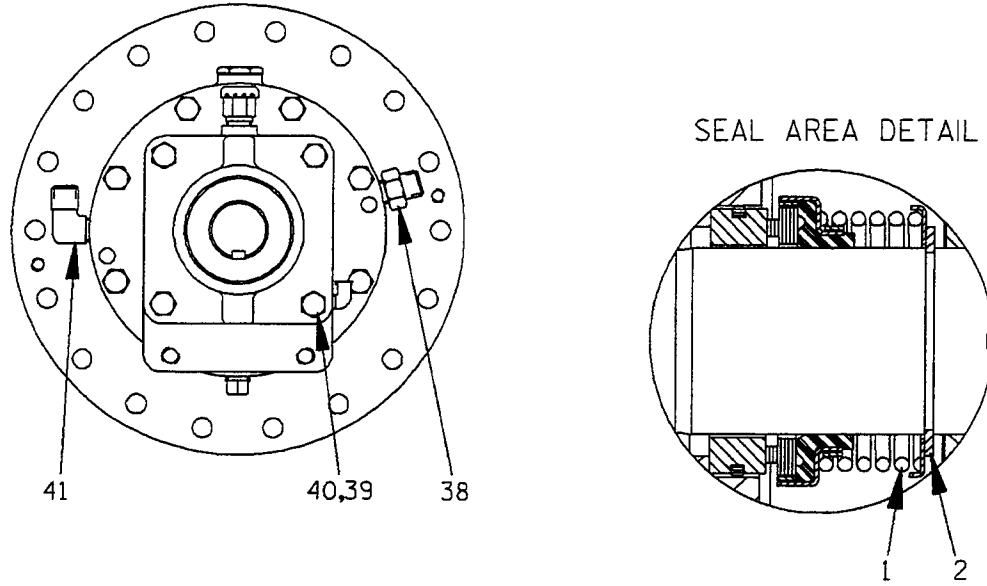
* INDICATES PARTS RECOMMENDED FOR STOCK

Above Serial Numbers Do Not Apply To Pumps Made In Canada.

CANADIAN SERIAL NO. AND UP

† ALL ROTO-PRIME® IMPELLERS ARE TRIMMED AND INCLUDE WEAR RINGS AND GROOVE PINS. WEAR RINGS ARE NOT SOLD SEPARATELY.

● SEE ACCOMPANYING LITERATURE FOR INDIVIDUAL PARTS, MAINTENANCE AND REPAIR.



THE GORMAN-RUPP COMPANY • MANSFIELD, OHIO

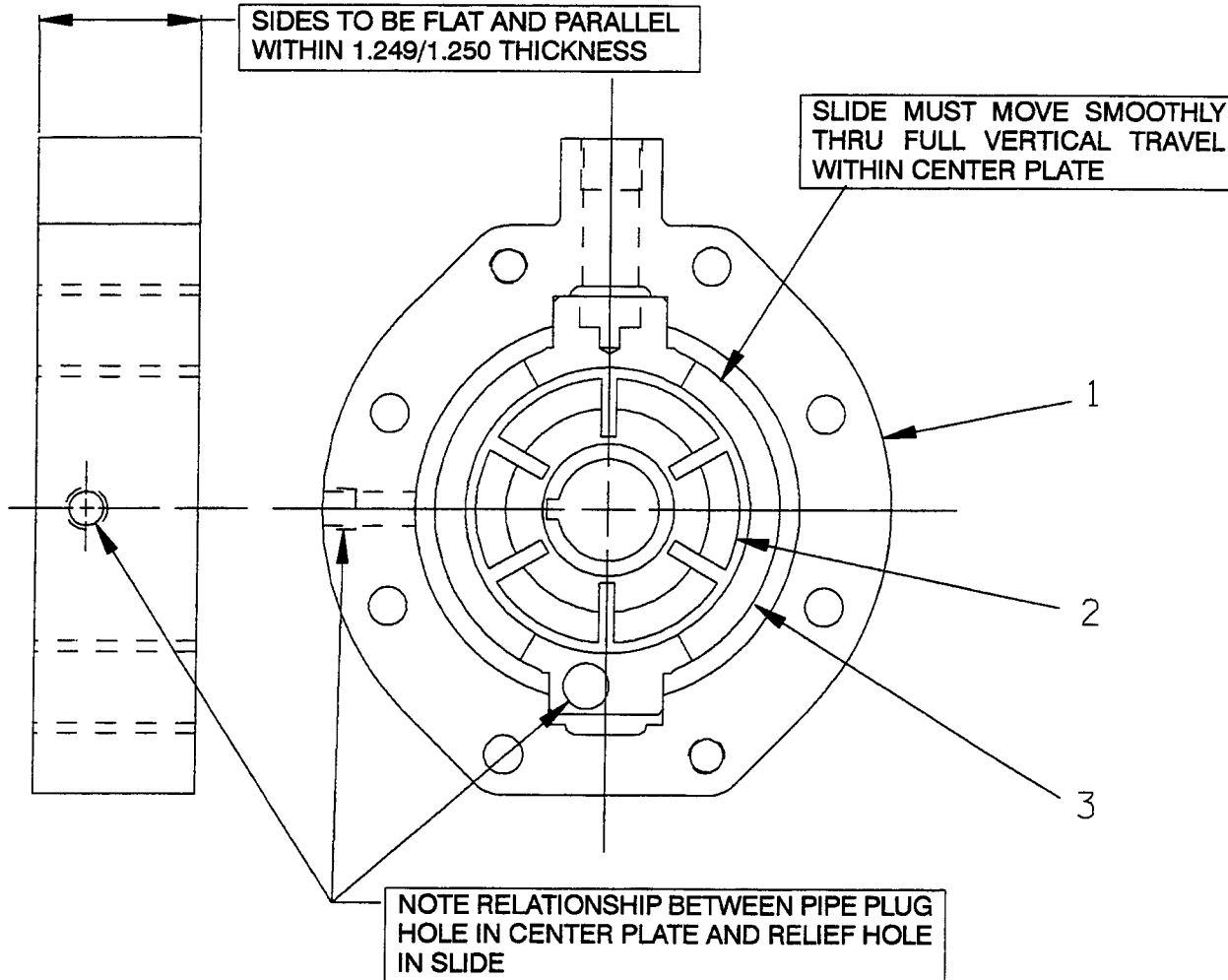
S/N 1054588 Up
PUMP ISSUE 2

PARTS LIST
44143–107 Bearing Housing Assembly

ITEM NO.	PART NAME	PART NUMBER	MAT'L CODE	QTY	ITEM NO.	PART NAME	PART NUMBER	MAT'L CODE	QTY
1 *	SEAL ASSEMBLY	25271–921	---	1	23	GROUP GRIND	LK05268	---	1
2	SEAL RETAINING RING	24124–243	---	1	24 *	LOCATING PIN	21154–666	---	1
3	BEARING CAP	R12770–02	10010	1	25 †	CENTER PLATE GASKET	R10150	18010	2
4	BEARING LOCK NUT	23962–011	---	1	26	PIPE PLUG	P06	15079	1
5 *	BEARING CAP GASKET	N18938–01	18000	1	27 *	CENTER PLATE GASKET	R10150	18010	1
6	TAB WASHER	23962–511	---	1	28	HEX HD CAPSCREW	B0612	15991	8
7 *	OUTBOARD BEARING	23275–211	---	1	29	LOCKWASHER	J06	15991	8
8	AIR VENT	S1703	---	1	30	DOWEL PIN	21133–113	---	2
9	BEARING HOUSING	W01172–04	11010	1	31 *	OIL SEAL	25227–240	---	1
10 *	IMPELLER SHAFT	T08623–02	15010	1	32	SLINGER RING	K86483	15030	1
11 *	BALL BEARING	23421–410	---	1	33	SLINGER RING STOP	K76632–01	---	1
12	BEARING RET RING	24124–245	---	1	34	OILER	26713–054	---	1
13	PIPE PLUG	P02	15079	1	35	SLINGER RING STOP	K76632–01	---	1
14	AIR VENT	S2162	---	1	36	SLINGER RING	K86483	15030	1
15 *	SPACER PLATE GASKET	R12923	18000	1	37 *	OIL SEAL	25227–240	---	1
16	SPACER PLATE	R12771–02	11010	1	38	CONNECTOR	25812–214	---	1
17	PRESS REG SPRING CAP	K68064	15991	1	39	HEX HD CAPSCREW	B0605	15991	4
18 *	SPRING CAP GASKET	K86067	---	1	40	LOCKWASHER	J06	15991	4
19 *	PRESS REG SPRING	K82659	---	1	41	MALE ELBOW	25812–011	---	1
20	BODY COVER	T06762–21	10140	1		OPTIONAL:			
21 *	ROTOR WOODRUFF KEY	K61559	15990	1		SST IMPELLER SHAFT	T08623–02	17080	1
22 *	ROTOR BLADE	K79300–22	---	6		TEFLON SEAL ASSY	25271–743	---	1

* INDICATES PARTS RECOMMENDED FOR STOCK

† 2 GASKETS REQUIRED WHEN ROTOR OR SLIDE IS THICKER THAN CENTER PLATE.



PARTS LIST
LK05268 Group Grind

ITEM NO.	PART NAME	PART NUMBER	MAT'L CODE	QTY
1	CENTER PLATE	NOT AVAILABLE	---	1
2	ROTOR	NOT AVAILABLE	---	1
3	SLIDE	NOT AVAILABLE	---	1

NOTE: THE GROUP GRIND MUST BE REPLACED AS A COMPLETE UNIT. INDIVIDUAL PIECE PARTS ARE NOT SOLD SEPARATELY.

THE GORMAN-RUPP COMPANY • MANSFIELD, OHIO

**For U.S. and International Warranty Information,
Please Visit www.grpumps.com/warranty
or call:
U.S.: 419-755-1280
International: +1-419-755-1352**

**For Canadian Warranty Information,
Please Visit www.grcanada.com/warranty
or call:
519-631-2870**