

Use With: OM-03989
MR-03991

PUBLICATION NUMBER PL-03996-02
Pump Issue 2
May 24, 1999
Rev. C 10/29/09



PUMP MODEL RS2A31-BAR

**MANUAL
PART 2 of 3**

**PARTS
LIST
WITH
PERFORMANCE CURVE**

THE GORMAN-RUPP COMPANY • MANSFIELD, OHIO

www.grpumps.com

GORMAN-RUPP OF CANADA LIMITED • ST. THOMAS, ONTARIO, CANADA Printed in U.S.A.

©1999 The Gorman-Rupp Company

Register your new
Gorman-Rupp pump online at
www.grpumps.com

Valid serial number and e-mail address required.

RECORD YOUR PUMP MODEL AND SERIAL NUMBER

Please record your pump model and serial number in the spaces provided below. Your Gorman-Rupp distributor needs this information when you require parts or service.

Pump Model: _____
Serial Number: _____

PERFORMANCE CURVE – SECTION A

RECORDING MODEL AND SERIAL NUMBERS

Please record the pump model and serial number in the spaces provided below and in the separate Installation/Operation Manual accompanying your pump. Your Gorman-Rupp distributor needs this information when you require parts or service.

Pump Model: _____

Serial Number: _____

WARRANTY INFORMATION

The pump warranty is provided as part of Gorman-Rupp's support program for customers who operate and maintain their equipment as described in this manual and other accompanying literature. Please note that should the equipment be abused or modified to change its performance beyond the original factory specifications, the warranty will become void and any claim will be denied.

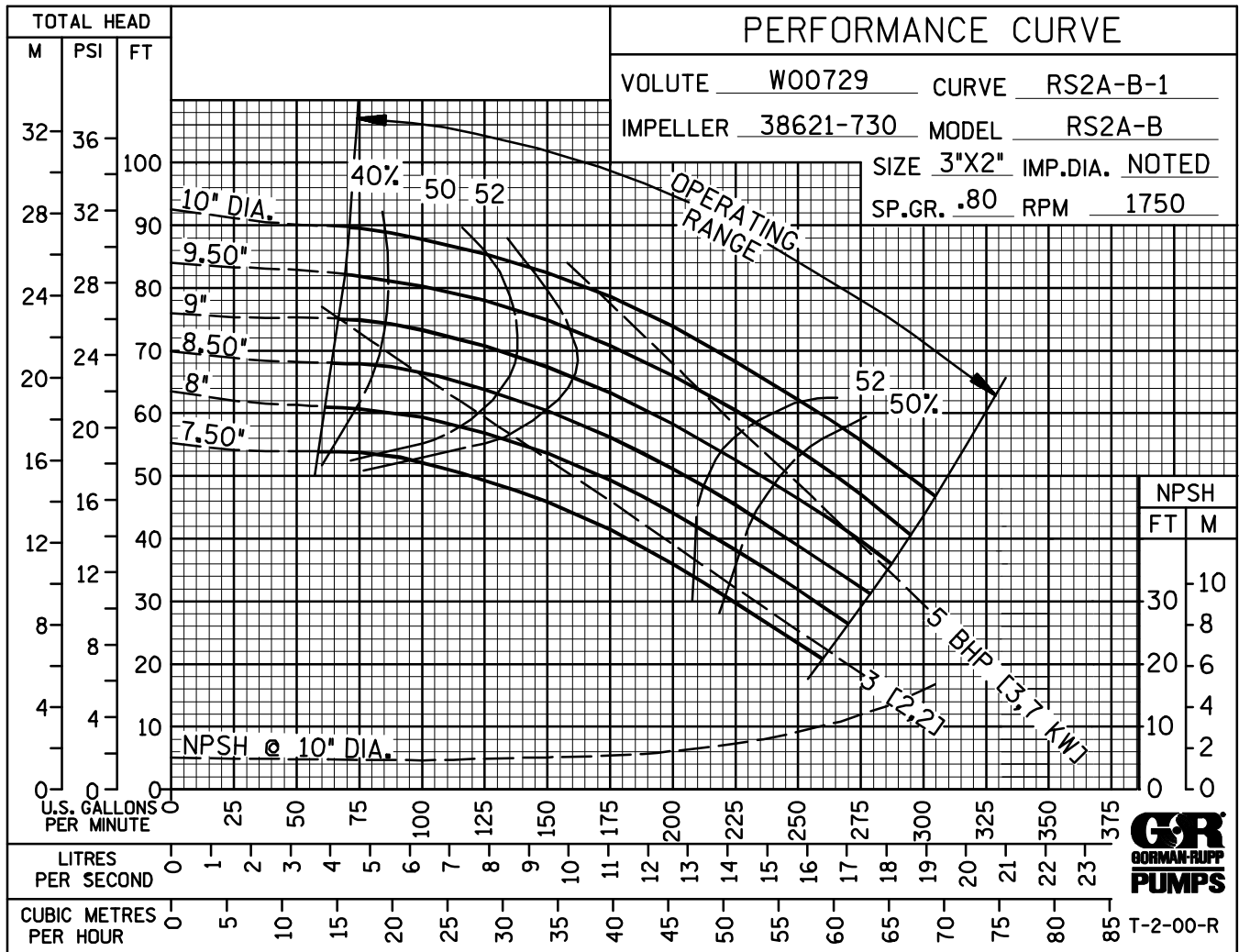
PERFORMANCE CURVE

The performance curve on the following page is based on 70° F (21° C) clear water at sea level, corrected to 0.80 specific gravity, with minimum suction lift. Since pump installations are seldom identical, your performance may be different due to such factors as viscosity, specific gravity, elevation, temperature, and impeller trim.

If your pump serial number is followed by an "N", your pump is **NOT** a standard production model. Contact the Gorman-Rupp Company to verify performance or part numbers.

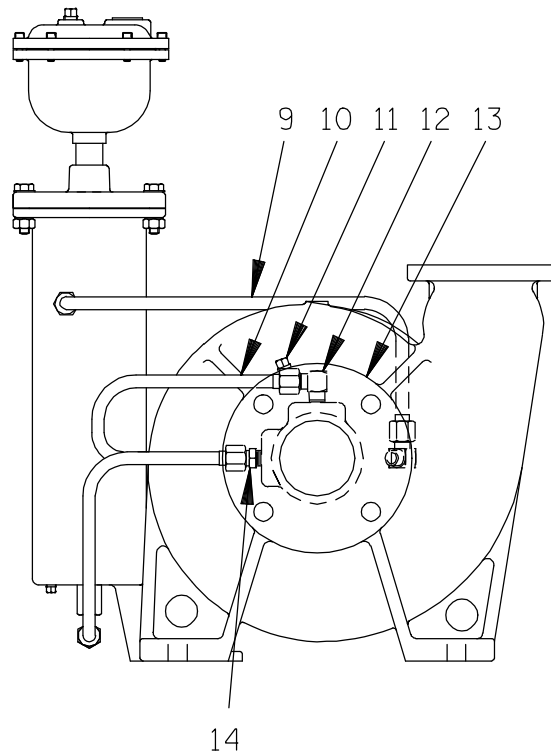
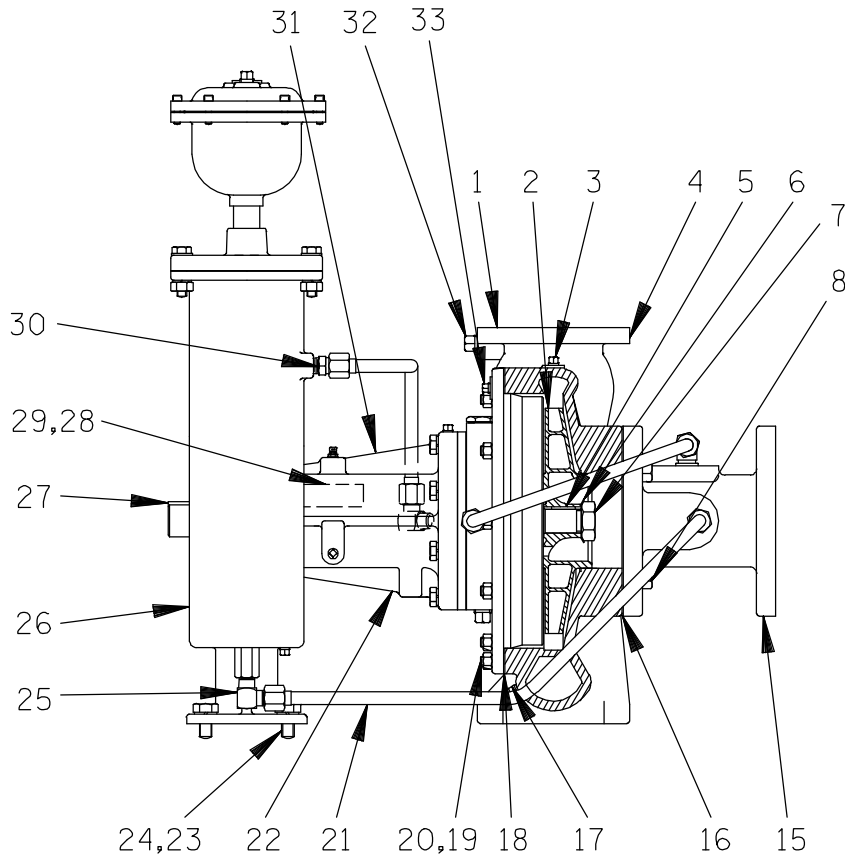


Pump speed and operating condition points must be within the continuous performance range shown on the curve(s).



Performance Curve – Model RS2A31 – BAR

This Page Intentionally Blank



RS2A31—BAR

B

S/N 1196884 Up
PUMP ISSUE 2

PARTS LIST Pump Model RS2A31—BAR

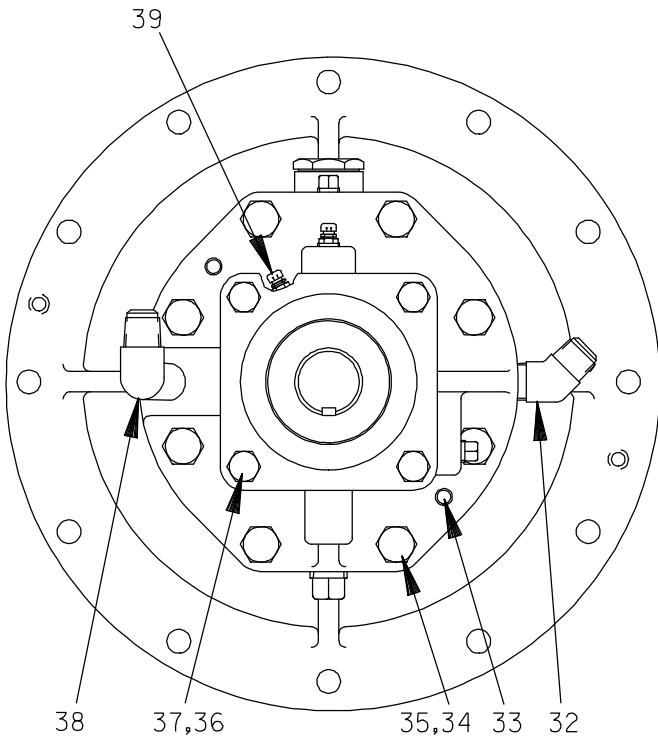
If your pump serial number is followed by an "N", your pump is **NOT** a standard production model. Contact the Gorman-Rupp Company to verify part numbers.

ITEM NO.	PART NAME	PART NUMBER	MAT'L CODE	QTY	ITEM NO.	PART NAME	PART NUMBER	MAT'L CODE	QTY
1	PUMP CASING	W0729	11010	1	23	HEX HD CAPSCREW	B0805	15991	2
2 *	IMPELLER	38621—730	13048	1	24	LOCKWASHER	J08	15991	2
3	PIPE PLUG	P02	15079	1	25	MALE ELBOW	25812—011	----	1
4	DISCHARGE STICKER	6588BJ	----	1	26 ●	AIR RELEASE VALVE	GRP33—06A	----	1
5 *	IMPELLER KEY	K79328—23	15990	1	27 *	SHAFT KEY	N0406	15990	1
6	BRG LOCKWASHER	23962—506	----	1	28	NAME PLATE	2613DZ	13990	1
7	IMPELLER NUT	K75775	15111	1	29	DRIVE SCREW	BM#04—03	17000	2
8	HEX HD CAPSCREW	B1007	15991	4	30	CONNECTOR	25812—214	----	1
9	DISCH TUBE ASSY	46335—057	----	1	31	LUBE DECAL	38816—081	----	1
10	SUCTION TUBE ASSY	46335—055	----	1	32	PIPE PLUG	P06	15079	1
11	PIPE PLUG	P02	15079	1	33	PIPE PLUG	P02	15079	1
12	MALE ELBOW	25812—011	----	1	NOT SHOWN:				
13	SUCTION STICKER	6588AG	----	1		G-R DECAL	GR—03	----	1
14	CONNECTOR	25812—214	----	1		SUCTION FLANGE GSKT	11589GA	18000	1
15	SUCTION FLANGE	10845B	10140	1		* DISCH FLANGE GASKET	N14226	18000	1
16 *	SUCTION FLANGE GSKT	38681—818	19370	1		INSTRUCTION TAG	38817—011	----	1
17	PIPE PLUG	P02	15079	1		BEARING TAG	6588ABB	----	1
18 *	PUMP CASING GASKET	R08108	20000	1		ROTATION DECAL	2613M	----	1
19	STUD	C0606	15991	12	OPTIONAL:				
20	HEX NUT	D06	15991	12		COMPANION FLANGES (SUCTION AND DISCHARGE)			
21	RETURN TUBE ASSY	46335—056	----	1		—COMPANION FLG KIT	48213—069	----	1
22	BRG HOUSING ASSY	44143—088	----	1		BRONZE IMPELLER	K76048	14150	1

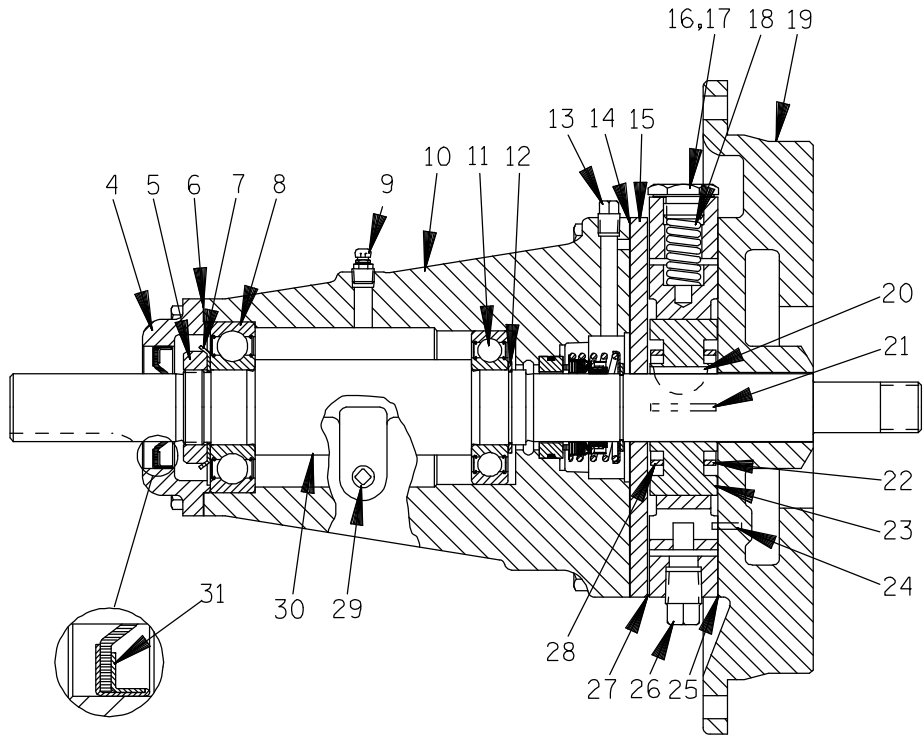
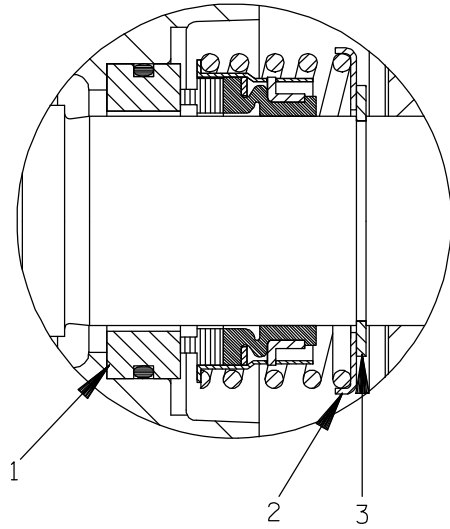
* INDICATES PARTS RECOMMENDED FOR STOCK

† ALL ROTO-PRIME[®] IMPELLERS ARE TRIMMED.

● SEE ACCOMPANYING LITERATURE FOR INDIVIDUAL PARTS, MAINTENANCE AND REPAIR.



SEAL AREA DETAIL



**S/N 1196884 Up
PUMP ISSUE 2**

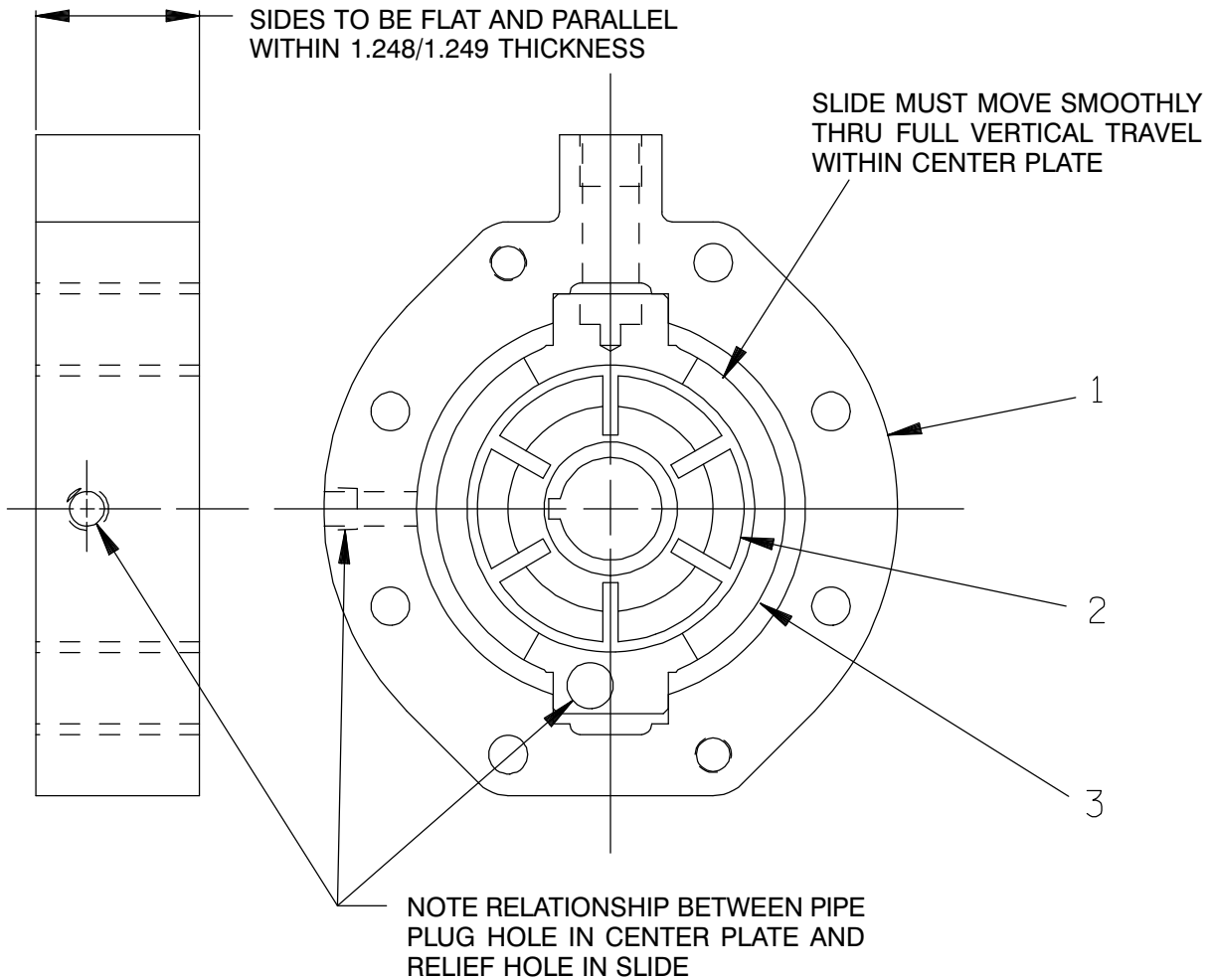
**PARTS LIST
44143—088 Bearing Housing Assembly**

ITEM NO.	PART NAME	PART NUMBER	MAT'L CODE	QTY	ITEM NO.	PART NAME	PART NUMBER	MAT'L CODE	QTY
1 *	SEAL ASSEMBLY	25271—192	----	1	25 †	CENTER PLATE GASKET	N14145	19210	2
2 *	SPRING CTR WASHER	25273—266	----	1	26	PIPE PLUG	P06	15079	1
3	SEAL RETAINING RING	S700	----	1	27 *	CENTER PLATE GASKET	N14145	19210	1
4	BEARING CAP	N14130	10010	1	28	ROTOR BLADE SPACER	K74031	15030	1
5	BEARING LOCK NUT	S301	----	1	29	PIPE PLUG	P02	15079	1
6 *	BEARING CAP GASKET	K74033	18000	1	30 *	IMPELLER SHAFT	R09454	15010	1
7	TAB WASHER	S302	----	1	31 *	OIL SEAL	25227—230	----	1
8 *	OUTBOARD BEARING	23282—008	----	1	32	MALE ELBOW	25812—161	----	1
9	AIR VENT	S2162	----	1	33	DOWEL PIN	21133—073	----	2
10	BEARING HOUSING	T02990	11010	1	34	HEX HD CAPSCREW	B0612	15991	8
11 *	INBOARD BEARING	23257—012	----	1	35	LOCKWASHER	J06	15991	8
12	BEARING RET RING	S248	----	1	36	HEX HD CAPSCREW	B0504	15991	4
13	PIPE PLUG	P02	15079	1	37	LOCKWASHER	J05	15991	4
14 *	SPACER PLATE GASKET	N14144	18000	1	38	MALE ELBOW	25812—011	----	1
15	SPACER PLATE	N14129	11010	1	39	AIR VENT	S2162	----	1
16	PRESS REG SPRING CAP	K68064	15991	1					
17 *	SPRING CAP GASKET	K86067	----	1		OPTIONAL:			
18 *	PRESS REG SPRING	K76301	----	1		SST IMPELLER SHAFT	R09454	1706H	1
19	BODY COVER	T03532A	11010	1		TEFLON SEAL ASSY	25271—743	----	1
20 *	ROTOR WOODRUFF KEY	K61559	15990	1		● OIL LUBE BEARING	44143—099	----	1
21 *	ROTOR BLADE	K79300—20	----	6		HOUSING ASSEMBLY			
22	ROTOR BLADE SPACER	K74031	15030	1		—INBOARD BEARING	S310	----	1
23	GROUP GRIND	42212—013	----	1		—OUTBOARD BEARING	23275—008	----	1
24 *	LOCATING PIN	21154—666	----	1		—OIL CUP	26713—051	----	1

* INDICATES PARTS RECOMMENDED FOR STOCK

† 2 GASKETS REQUIRED WHEN ROTOR OR SLIDE IS THICKER THAN CENTER PLATE.

● ALL OTHER COMPONENTS SAME AS STANDARD BEARING HOUSING ASSEMBLY.



PARTS LIST
42212-013 Group Grind

ITEM NO.	PART NAME	PART NUMBER	MAT'L CODE	QTY
1	CENTER PLATE	NOT AVAILABLE	---	1
2	ROTOR	NOT AVAILABLE	---	1
3	SLIDE	NOT AVAILABLE	---	1

NOTE: THE GROUP GRIND MUST BE REPLACED AS A COMPLETE UNIT: INDIVIDUAL PIECE PARTS ARE NOT SOLD SEPARATELY.

THE GORMAN-RUPP COMPANY • MANSFIELD, OHIO

**For U.S. and International Warranty Information,
Please Visit www.grpumps.com/warranty
or call:
U.S.: 419-755-1280
International: +1-419-755-1352**

**For Canadian Warranty Information,
Please Visit www.grcanada.com/warranty
or call:
519-631-2870**