

Use With: OM-03989
MR-03991

PUBLICATION NUMBER
PL-03996-03
October 27, 2015
Rev. A 11-7-2023



PUMP MODEL RS2A31-BAR

**MANUAL
PART 2 of 3**

**PARTS
LIST
WITH
PERFORMANCE CURVE**

GORMAN-RUPP PUMPS

www.grpumps.com

©2015 Gorman-Rupp Pumps

Printed in U.S.A.

Register your new
Gorman-Rupp pump online at
www.grpumps.com

Valid serial number and e-mail address required.

RECORD YOUR PUMP MODEL AND SERIAL NUMBER

Please record your pump model and serial number in the spaces provided below. Your Gorman-Rupp distributor needs this information when you require parts or service.

Pump Model: _____
Serial Number: _____

PERFORMANCE CURVE – SECTION A

RECORDING MODEL AND SERIAL NUMBERS

Please record the pump model and serial number in the spaces provided below and in the separate Installation/Operation Manual accompanying your pump. Your Gorman-Rupp distributor needs this information when you require parts or service.

Pump Model: _____

Serial Number: _____

WARRANTY INFORMATION

The pump warranty is provided as part of Gorman-Rupp's support program for customers who operate and maintain their equipment as described in this manual and other accompanying literature. Please note that should the equipment be abused or modified to change its performance beyond the original factory specifications, the warranty will become void and any claim will be denied. For warranty information, please visit www.grpumps.com/warranty.

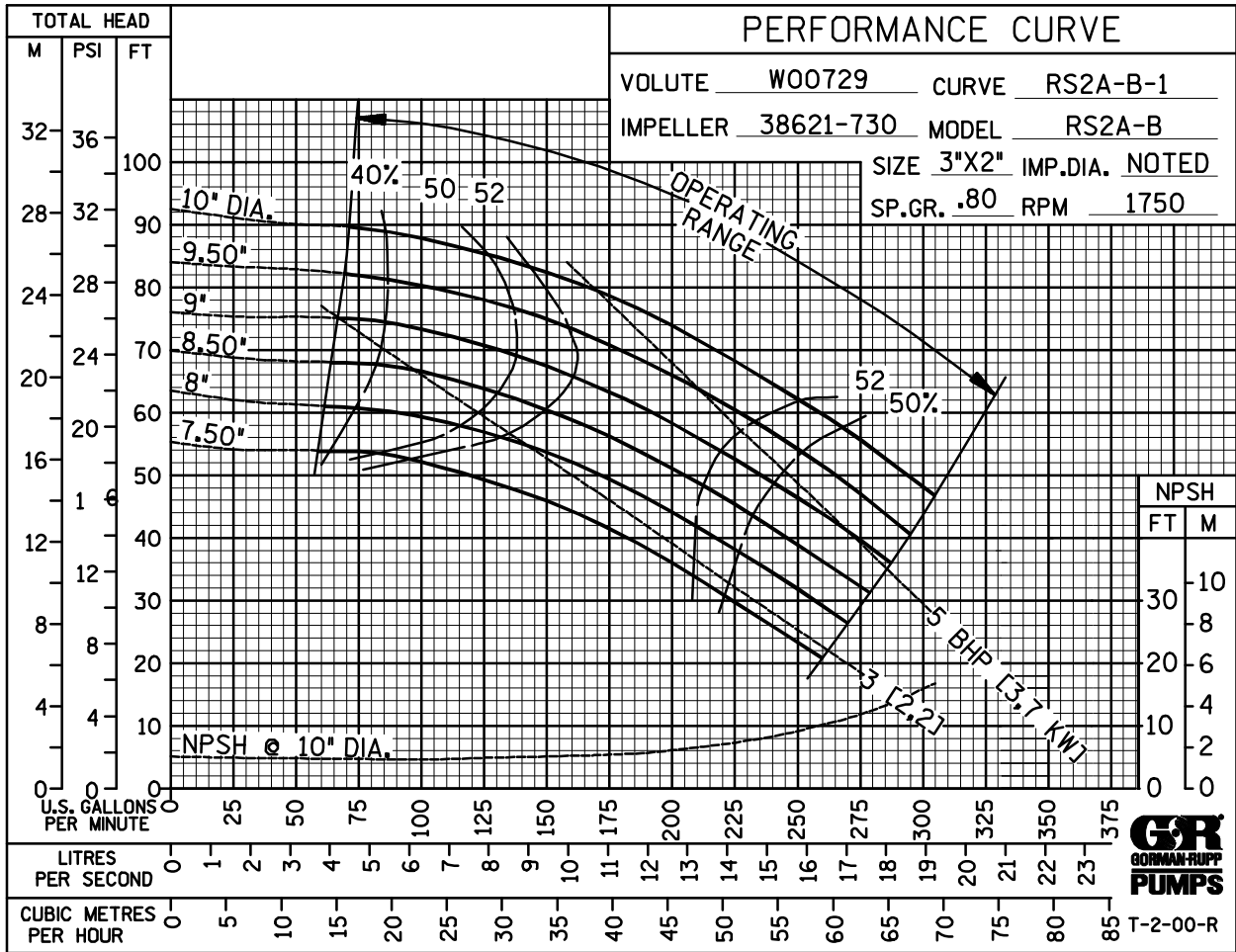
PERFORMANCE CURVE

The performance curve on the following page is based on 70°F (21°C) clear water at sea level, corrected to 0.80 specific gravity, with minimum suction lift. Since pump installations are seldom identical, your performance may be different due to such factors as viscosity, specific gravity, elevation, temperature, and impeller trim.

If your pump serial number is followed by an "N", your pump is **NOT** a standard production model. Contact the Gorman-Rupp Company to verify performance or part numbers.



Pump speed and operating condition points must be within the continuous performance range shown on the curve(s).

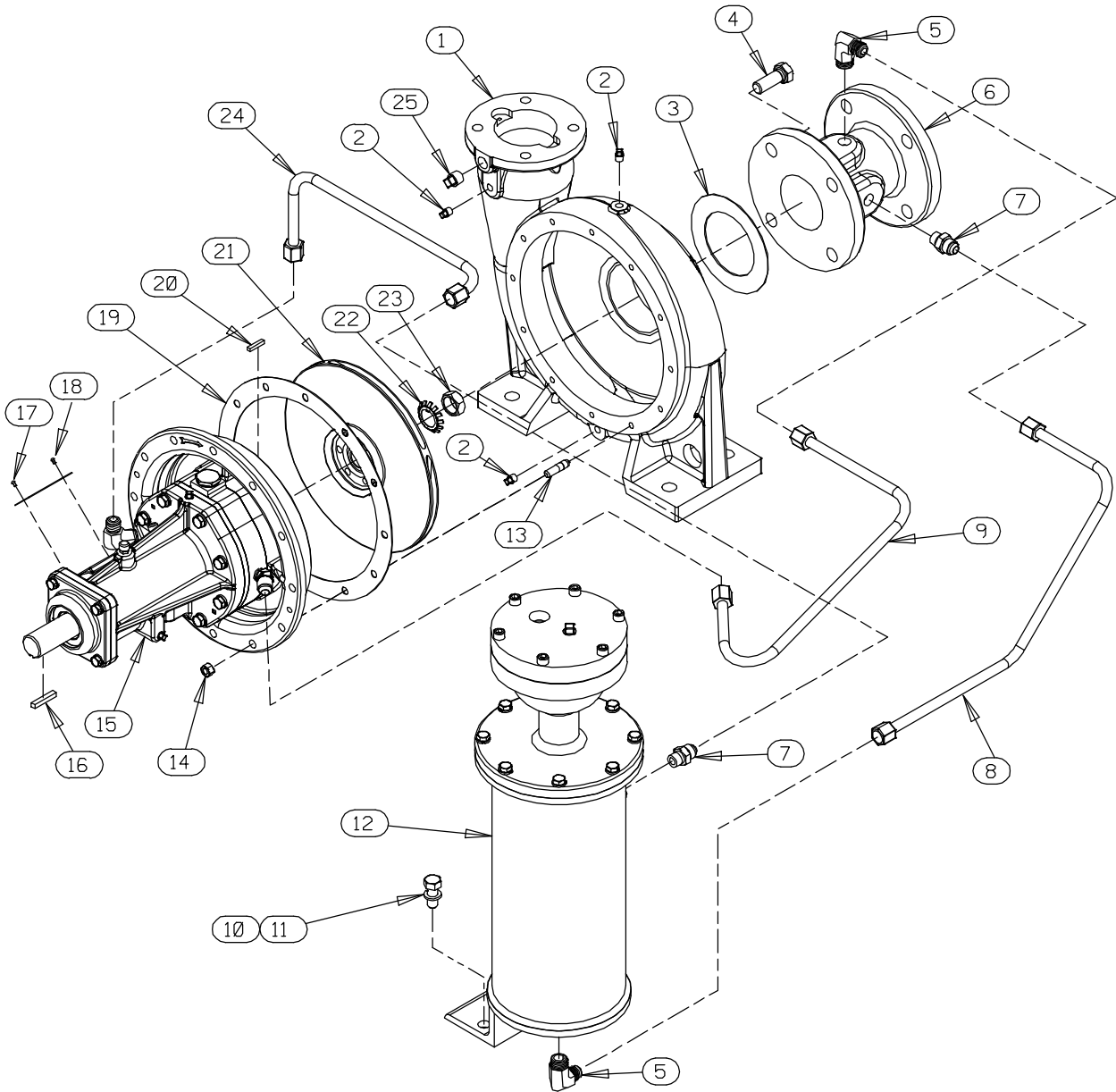


Performance Curve – Model RS2A31-BAR

This Page Intentionally Blank

RS2A31-BAR

S/N 1601841 Up
PUMP ISSUE 3



GORMAN-RUPP PUMPS

www.grpumps.com

©2015 Gorman-Rupp Pumps

Printed in U.S.A.

RS2A31 – BAR

S/N 1601841 Up
PUMP ISSUE 3

PARTS LIST Pump Model RS2A31 – BAR

If your pump serial number is followed by an "N", your pump is **NOT** a standard production model. Contact the Gorman-Rupp Company to verify part numbers.

ITEM NO.	PART NAME	PART NUMBER	QTY	ITEM NO.	PART NAME	PART NUMBER	QTY
☞ 1	PUMP CASING	SEE NOTE BELOW	1	20 *	IMPELLER KEY	K79328–23 15990	1
☞ 2	PIPE PLUG	P02 15079	4	† 21 *	IMPELLER	38621–730 13048	1
3 *	RING GASKET	38681–818 19370	1	22	BRG LOCK WASHER	23962–506	1
4	HEX HEAD CAP SCREW	B1007 15991	4	23	IMPELLER LOCK NUT	K75775 15111	1
5	MALE ELBOW	25812–011	2	24	DISCHARGE TUBE ASSY.	46335–095	1
6	SUCTION FLANGE	10845B 10140	1	☞ 25	PIPE PLUG	P06 15079	1
7	CONNECTOR	25812–214	2	NOT SHOWN			
8	RETURN TUBE ASSY.	46335–056	1	*	CHK VALVE BODY GSKT	11589GA 19060	1
9	SUCTION TUBE ASSY	46335–055	1	*	DISCHARGE GASKET	N14226 19060	1
10	HEX HEAD CAPSCREW	B0805 15991	2		INSTRUCTION TAG	38817–011	1
11	LOCK WASHER	J08 15991	2		BEARING TAG	6588ABB	1
12 ●	AIR REL VALVE ASSY	GRP33–08A	1		ROTATION DECAL	2613M	1
☞ 13	STUD	C0606 15991	12		DISCHARGE STICKER	6588BJ	1
14	HEX NUT	D06 15991	12		SUCTION STICKER	6588AG	1
15	BEARING HSG ASSY	44143–088	1		G-R DECAL	GR–03	1
16 *	DRIVE KEY	N0406 15990	1		LUBRICATION DECAL	38816–081	1
17	NAMEPLATE	2613DZ 13990	1	OPTIONAL:			
18	DRIVE SCREW	BM#04–03 17000	2		COMPANION FLANGE KIT (SUCTION AND DISCHARGE)		
19 *	BODY COVER GASKET	R08108 19060	1		K33849		1

* INDICATES PARTS RECOMMENDED FOR STOCK

† ALL ROTO-PRIME[®] IMPELLERS ARE TRIMMED.

● SEE ACCOMPANYING LITERATURE FOR INDIVIDUAL PARTS, MAINTENANCE AND REPAIR.

☞ INCLUDED WITH REPAIR 46474–333 1
PUMP CASING ASSY

GORMAN-RUPP PUMPS

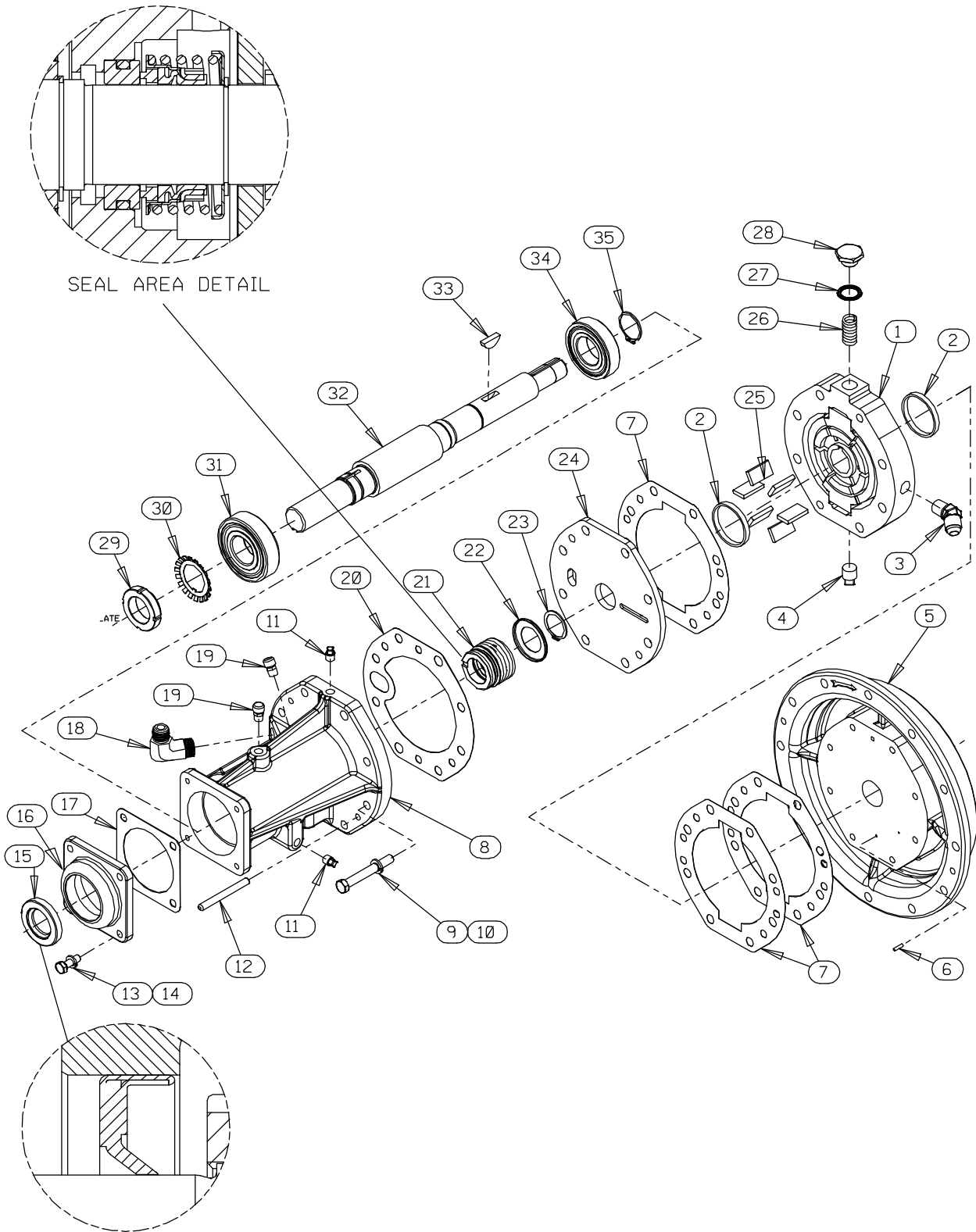
www.grpumps.com

©2015 Gorman-Rupp Pumps

Printed in U.S.A.

RS2A31-BAR

S/N 1601841 Up
PUMP ISSUE 3



GORMAN-RUPP PUMPS

www.grpumps.com

©2015 Gorman-Rupp Pumps

Printed in U.S.A.

RS2A31—BAR

S/N 1601841 Up
PUMP ISSUE 3

PARTS LIST 44143—088 Bearing Housing Assembly

ITEM NO.	PART NAME	PART NUMBER	QTY	ITEM NO.	PART NAME	PART NUMBER	QTY
1	GROUP GRIND	42212—013	1	23	SNAP RING	S700	1
2	BLADE SPACER	K74031 15030	2	24	SPACER PLATE	N14129 11010	1
3	MALE ELBOW	25812—161	1	25 *	ROTOR BLADE	K79300—20	6
4	PIPE PLUG	P06 15079	1	26	PRESS REG SPRING	K76301	1
5	BODY COVER	T03532A 11010	1	27	PRESS REG GASKET	K86067	1
6 *	LOCATOR PIN	21154—666	1	28	SPRING CAP	K68064 15991	1
† 7 *	GASKET	N14145 19210	3	29	BEARING LOCK NUT	S301	1
8	BEARING HOUSING	T02990 11010	1	30	LOCK WASHER	S302	1
9	LOCK WASHER	J06 15991	8	31 *	BALL BEARING	23282—008	1
10	HEX HEAD CAP SCREW	B0612 15991	8	32 *	IMPELLER SHAFT	R09454 15010	1
11	PIPE PLUG	P02 15079	2	33 *	WOODRUFF KEY	K61559 15990	1
12	DOWEL PIN	21133—073	2	34 *	BALL BEARING	23257—012	1
13	LOCK WASHER	J05 15991	4	35	SNAP RING	S248	1
14	HEX HEAD CAP SCREW	B0504 15991	4	OPTIONAL:			
15 *	OIL SEAL	25227—230	1		SST IMPELLER SHAFT	R09454 1706H	1
16	BEARING HOUSING CAP	N14130 10010	1		TEFLON SEAL ASSY	25271—743	1
17 *	GASKET	K74033 18000	1	●	OIL LUBE BEARING HOUSING ASSEMBLY	44143—099	1
18	MALE ELBOW	25812—011	1		—INBOARD BEARING	S310	1
19	AIR VENT	S2162	2		—OUTBOARD BEARING	23275—008	1
20 *	GASKET	N14144 18000	1		—OIL CUP	26713—051	1
21 *	MECH SEAL 1—1/4	25271—192	1				
22	SPRING HOLDER	25273—266	1				

* INDICATES PARTS RECOMMENDED FOR STOCK

† 2 GASKETS REQUIRED ON ONE FACE ONLY WHEN ROTOR OR SLIDE IS THICKER THAN CENTER PLATE.

● ALL OTHER COMPONENTS SAME AS STANDARD BEARING HOUSING ASSEMBLY.

GORMAN-RUPP PUMPS

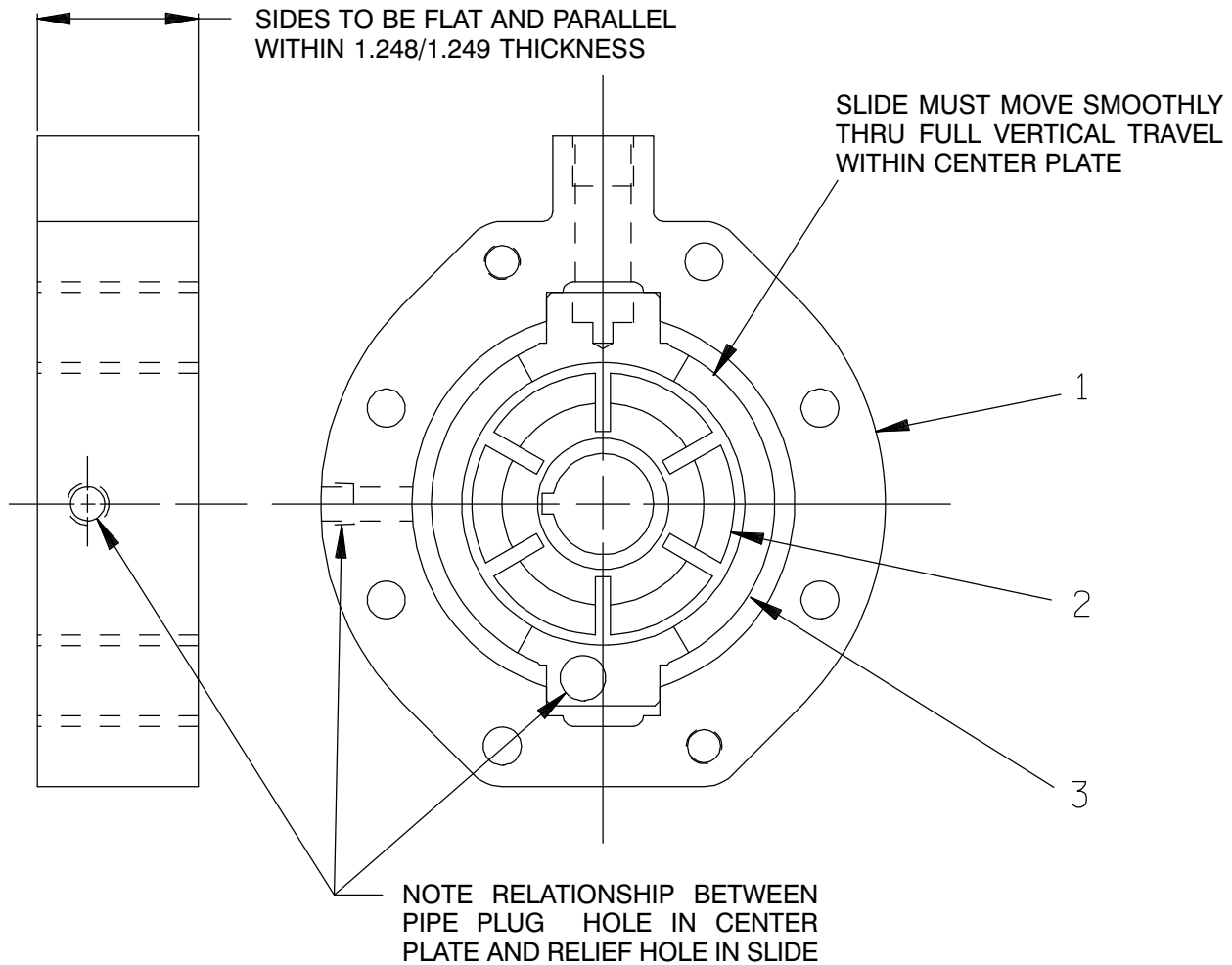
www.grpumps.com

©2015 Gorman-Rupp Pumps

Printed in U.S.A.

RS2A31-BAR

S/N Up
PUMP ISSUE 3



PARTS LIST 42212-013 Group Grind

ITEM NO.	PART NAME	PART NUMBER	QTY
1	CENTER PLATE	NOT AVAILABLE	1
2	ROTOR	NOT AVAILABLE	1
3	SLIDE	NOT AVAILABLE	1

NOTE: THE GROUP GRIND MUST BE REPLACED AS A COMPLETE UNIT: INDIVIDUAL PIECE PARTS ARE NOT SOLD SEPARATELY.

GORMAN-RUPP PUMPS

www.grpumps.com

©2015 Gorman-Rupp Pumps

Printed in U.S.A.

**For Warranty Information, Please Visit
www.grpumps.com/warranty
or call:
U.S.: 419-755-1280
Canada: 519-631-2870
International: +1-419-755-1352**

GORMAN-RUPP PUMPS