

PUBLICATION NUMBER PL-04010-03  
Pump Issue 3  
February 8, 1994



# PUMP MODEL RS5A32-BAR

MANUAL  
PART 2 of 3

PARTS  
LIST

WITH  
PERFORMANCE CURVE

**THE GORMAN-RUPP COMPANY • MANSFIELD, OHIO**

GORMAN-RUPP OF CANADA LIMITED • ST. THOMAS, ONTARIO, CANADA Printed in U.S.A.

©Copyright by the Gorman-Rupp Company



## PERFORMANCE CURVE – SECTION A

### RECORDING MODEL AND SERIAL NUMBERS

Please record the pump model and serial number in the spaces provided below and in the separate Installation/Operation Manual accompanying your pump. Your Gorman-Rupp distributor needs this information when you require parts or service.

Pump Model: \_\_\_\_\_

Serial Number: \_\_\_\_\_

### WARRANTY INFORMATION

The pump warranty is provided as part of Gorman-Rupp's support program for customers who operate and maintain their equipment as described in this manual and other accompanying literature. Please note that should the equipment be abused or modified to change its performance beyond the original factory specifications, the warranty will become void and any claim will be denied.

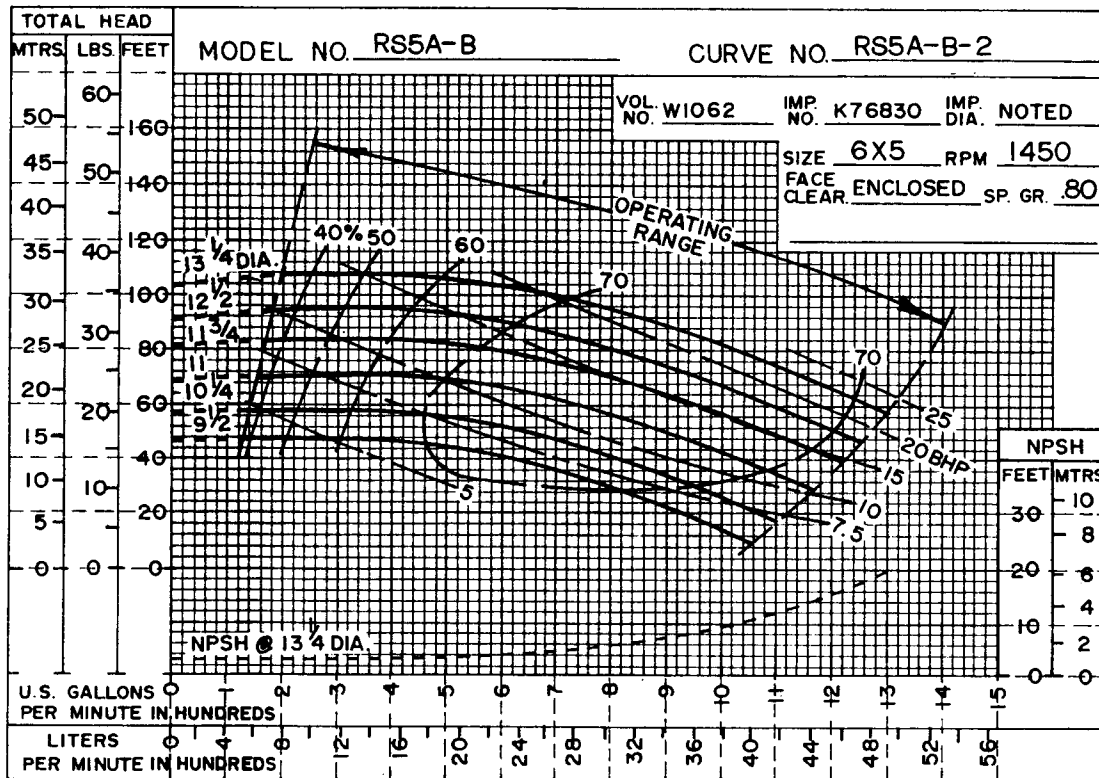
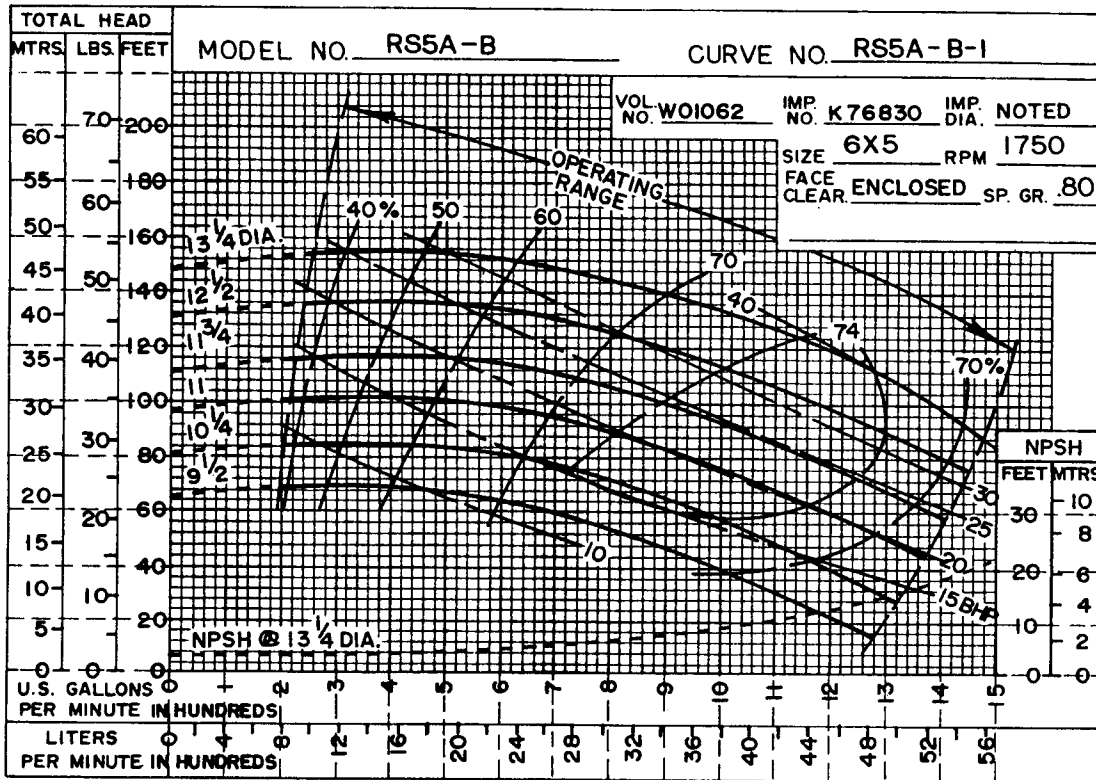
### PERFORMANCE CURVES

The performance curves on the following page are based on 70° F (21° C) clear water at sea level, corrected to 0.80 specific gravity, with minimum suction lift. Since pump installations are seldom identical, your performance may be different due to such factors as viscosity, specific gravity, elevation, temperature, and impeller trim.

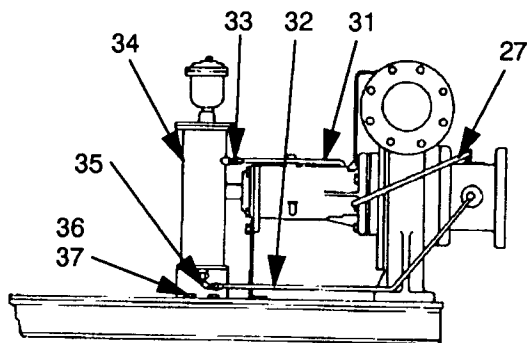
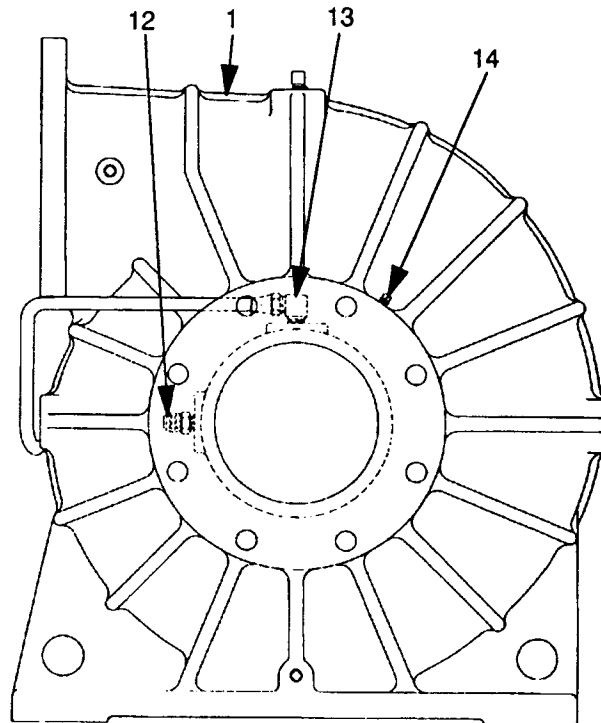
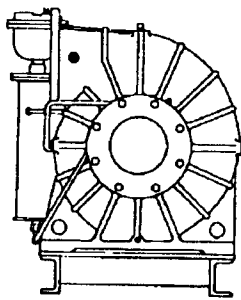
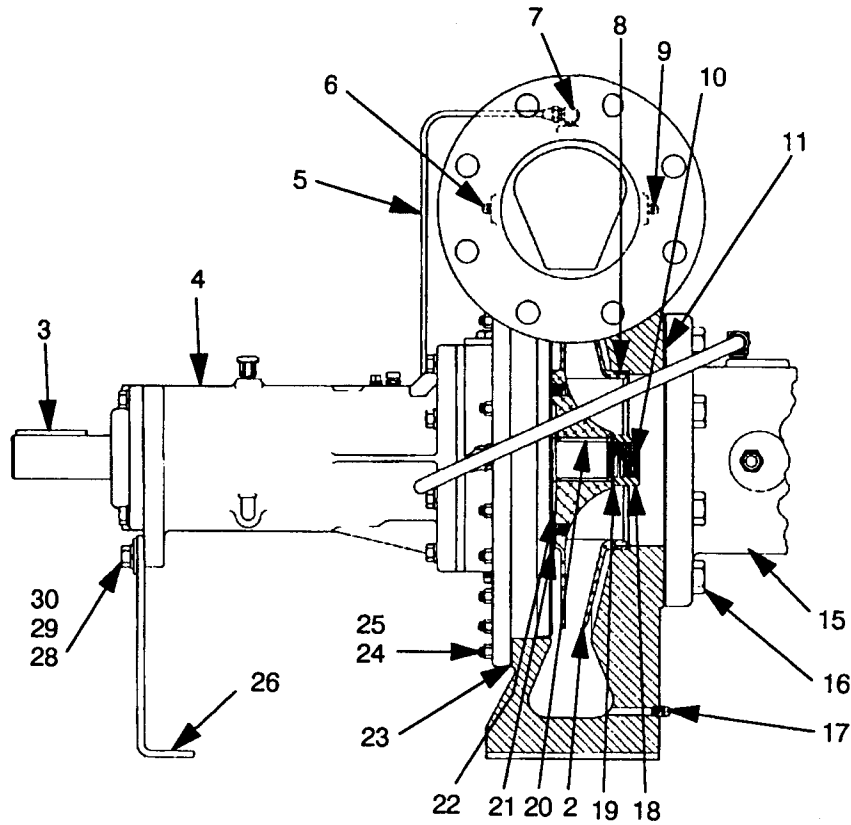
If your pump serial number is followed by an "N", your pump is **NOT** a standard production model. Contact the Gorman-Rupp Company to verify performance or part numbers.



Pump speed and operating condition points must be within the continuous performance range shown on the curve(s).



Performance Curve - Model RS5A32-BAR



**THE GORMAN-RUPP COMPANY • MANSFIELD, OHIO**

GORMAN-RUPP OF CANADA LIMITED • ST. THOMAS, ONTARIO, CANADA

Printed in U.S.A.

**S/N 1043523 Up  
PUMP ISSUE 3**

**PARTS LIST  
Pump Model RS5A32-BAR**

If your pump serial number is followed by an "N", your pump is **NOT** a standard production model. Contact the Gorman-Rupp Company to verify part numbers.

ITEM NO.	PART NAME	PART NUMBER	MAT'L CODE	QTY	ITEM NO.	PART NAME	PART NUMBER	MAT'L CODE	QTY
1	PUMP CASING	W01062	10140	1	29	LOCKWASHER	J08	15991	2
2 *	IMPELLER	K76830	13040	1	30	FLAT WASHER	K08	15991	2
3 *	SHAFT KEY	N0611	15990	1	31	DISCHARGE TUBE ASSY	R12974	-----	1
4	BRG HOUSING ASSY	R12922-04	-----	1	32	RETURN TUBE ASSY	R12975	-----	1
5	SEAL TUBE ASSY	N19189	-----	1	33	MALE CONNECTOR	25812-214	-----	1
6	PIPE PLUG	P02	15079	1	34 ●	AIR RELEASE VALVE	GRP33-06B	-----	1
7	MALE ELBOW	25817-032	-----	1	35	MALE ELBOW	25812-011	-----	1
8 †	WEAR RING	NOT AVAILABLE		1	36	HEX HD CAPSCREW	B0805	15991	2
9	PIPE PLUG	P02	15079	1	37	LOCKWASHER	J08	15991	2
10	SPIRAL PIN	21137-079	-----	1					
11 *	SUCT FLANGE GASKET	38682-208	19370	1	NOT SHOWN:				
12	CONNECTOR	25812-214	-----	1	* DISCH FLANGE GASKET	1678G	18000	-----	1
13	MALE ELBOW	25812-011	-----	1	* SUCT FLANGE GASKET	1679G	18000	-----	1
14	PIPE PLUG	P02	15079	1	NAME PLATE	2613DZ	13990	-----	1
15	SUCTION FLANGE	11402F	10010	1	DRIVE SCREW	BM#04-03	15990	-----	2
16	HEX HD CAPSCREW	B1208	15991	8	ROTATION DECAL	2613M	-----	-----	1
17	PIPE PLUG	P02	15079	1	SUCTION STICKER	6588AG	-----	-----	1
18	IMPELLER NUT	K88233	15111	1	DISCHARGE STICKER	6588BJ	-----	-----	1
19	IMPELLER WASHER	K76643	15991	1	BRG LUBE DECAL	38816-074	-----	-----	1
20 *	IMPELLER KEY	K79330	16120	2	INSTRUCTION TAG	38817-011	-----	-----	1
21 †	WEAR RING	NOT AVAILABLE		1					
22	IMPELLER WASHER	K76643	15991	1	OPTIONAL:				
23 *	PUMP CASING GASKET	N15237-21	20000	1	DISCHARGE CHECK VALVE				
24	STUD	C0606 1/2	15991	24	-CHECK VALVE	26642-206	-----	-----	1
25	HEX NUT	D06	15991	24	-HEX HD CAPSCREW	B1212	15991	-----	8
26	BRG SUPPORT	R12852-02	15990	1	-GASKET	1678G	18000	-----	1
27	PRIMING TUBE ASSY	R13821	-----	1	-HEX NUT	D12	15991	-----	8
28	HEX HD CAPSCREW	B0805	15991	2	BRONZE IMPELLER	K76830	14150	-----	1

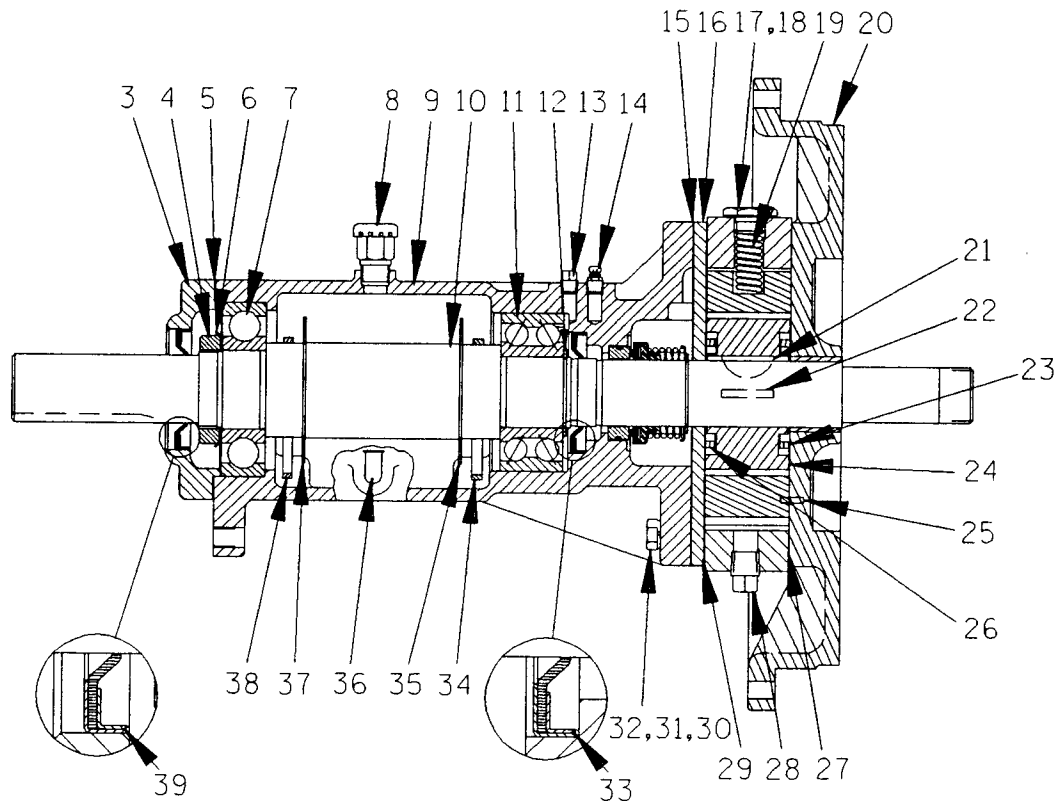
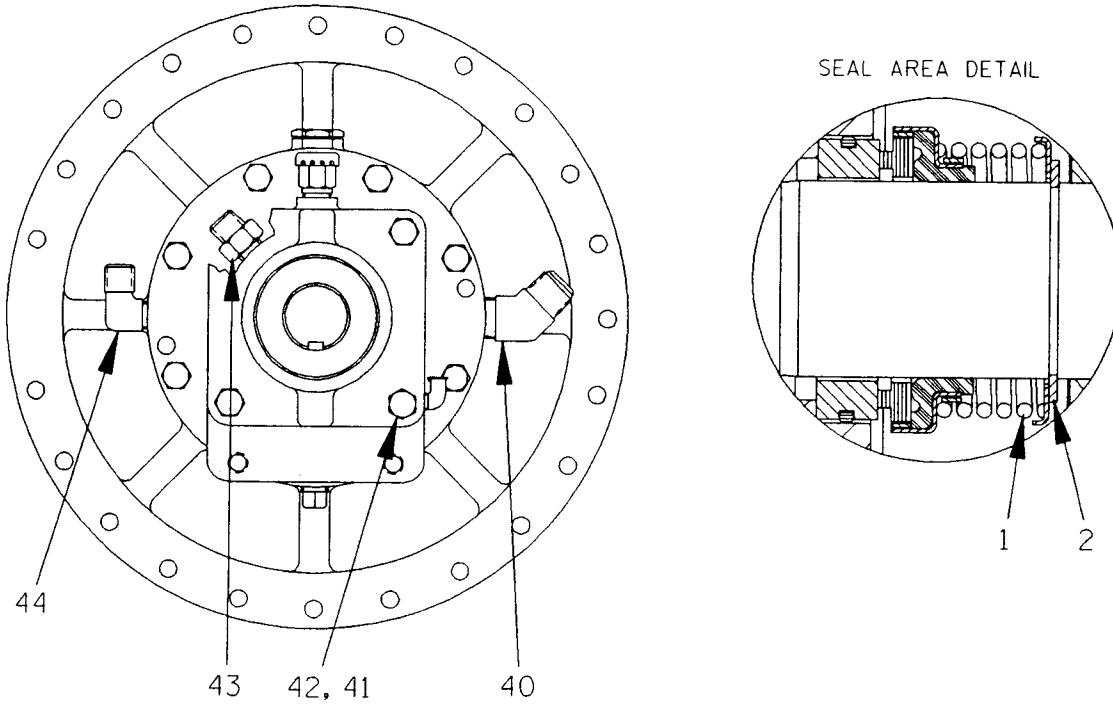
\* INDICATES PARTS RECOMMENDED FOR STOCK

Above Serial Numbers Do Not Apply To Pumps Made In Canada.

CANADIAN SERIAL NO. .... AND UP

† ALL ROTO-PRIME® IMPELLERS ARE TRIMMED AND INCLUDE WEAR RINGS AND GROOVE PINS. WEAR RINGS ARE NOT SOLD SEPARATELY.

● SEE ACCOMPANYING LITERATURE FOR INDIVIDUAL PARTS, MAINTENANCE AND REPAIR.



S/N 1043523 Up  
PUMP ISSUE 3

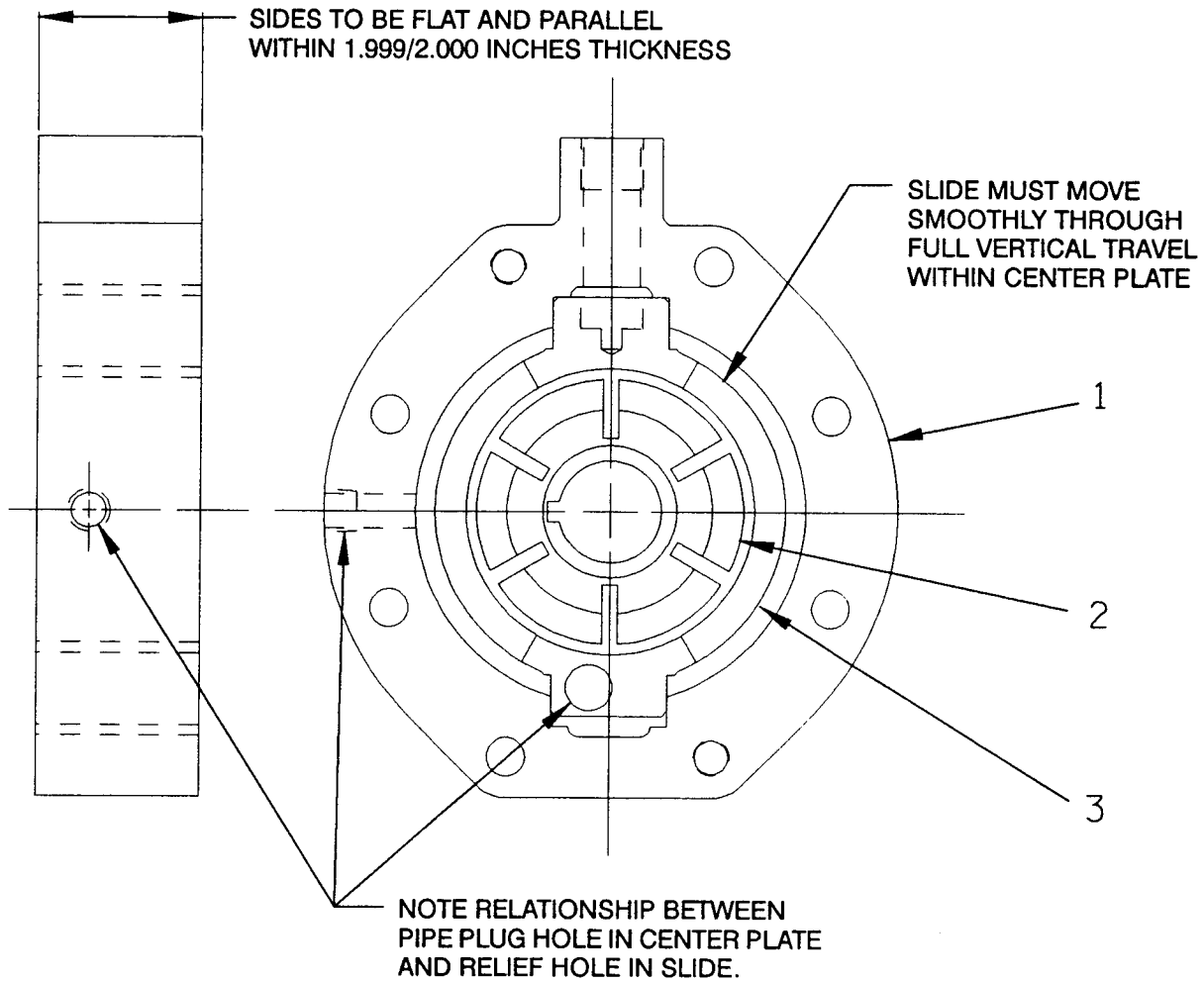
**PARTS LIST**  
**R12922-04 Bearing Housing Assembly**

ITEM NO.	PART NAME	PART NUMBER	MAT'L CODE	QTY	ITEM NO.	PART NAME	PART NUMBER	MAT'L CODE	QTY
1 *	SEAL ASSEMBLY	25271-921	-----	1	24	GROUP GRIND	LK05271	-----	1
2	RETAINING RING	24124-243	-----	1	25 *	LOCATING PIN	21154-666	-----	1
3	BEARING CAP	R12770-02	10010	1	26	ROTOR BLADE SPACER	K76623	15030	1
4	BEARING LOCK NUT	23962-011	-----	1	27 †	CENTER PLATE GASKET	R10150	18010	2
5 *	BEARING CAP GASKET	N18938-01	18000	1	28	PIPE PLUG	P06	15079	1
6	BRG LOCKWASHER	23962-511	-----	1	29 *	CENTER PLATE GASKET	R10150	18010	1
7 *	OUTBOARD BEARING	23275-211	-----	1	30	HEX HD CAPSCREW	21632-614	-----	8
8	AIR VENT	S1703	-----	1	31	LOCKWASHER	J06	15991	8
9	BEARING HOUSING	W01172-04	11010	1	32	DOWEL PIN	21133-116	-----	2
10 *	IMPELLER SHAFT	T08620-02	15010	1	33 *	OIL SEAL	25227-240	-----	1
11 *	INBOARD BEARING	23421-410	-----	1	34	OIL RING	K86483	15030	1
12	BEARING RET RING	24124-245	-----	1	35	OIL RING STOP	K76632-01	-----	1
13	PIPE PLUG	P02	15079	1	36	OILER	26713-054	-----	1
14	AIR VENT FITTING	S2162	-----	1	37	OIL RING STOP	K76632-01	-----	1
15 *	SPACER PLATE GASKET	R12923	18000	1	38	OIL RING	K86483	15030	1
16	SPACER PLATE	R12771-02	11010	1	39 *	OIL SEAL	25227-240	-----	1
17	PRESS REG SPRING CAP	K68064	15991	1	40	MALE ELBOW	25812-161	-----	1
18 *	SPRING CAP GASKET	K86067	-----	1	41	HEX HD CAPSCREW	21632-597	-----	4
19 *	PRESS REG SPRING	K76626	-----	1	42	LOCKWASHER	J06	15991	4
20	BODY COVER	T03712-20	10140	1	43	MALE CONNECTOR	25817-202	-----	1
21 *	ROTOR WOODRUFF KEY	K74041	15990	1	44	MALE ELBOW	25812-011	-----	1
22 *	ROTOR BLADE	K79300-21	-----	6		OPTIONAL:			
23	ROTOR BLADE SPACER	K76623	15030	1		SST IMPELLER SHAFT	T08620-02	17080	1

\* INDICATES PARTS RECOMMENDED FOR STOCK

† 2 GASKETS REQUIRED WHEN ROTOR OR SLIDE IS THICKER THAN CENTER PLATE.





**PARTS LIST**  
**LK05271 Group Grind**

ITEM NO.	PART NAME	PART NUMBER	MAT'L CODE	QTY
1	CENTER PLATE	NOT AVAILABLE	----	1
2	ROTOR	NOT AVAILABLE	----	1
3	SLIDE	NOT AVAILABLE	----	1

**NOTE:** THE GROUP GRIND MUST BE REPLACED AS A COMPLETE UNIT. INDIVIDUAL PIECE PARTS ARE NOT SOLD SEPARATELY.

**THE GORMAN-RUPP COMPANY • MANSFIELD, OHIO**

GORMAN-RUPP OF CANADA LIMITED • ST. THOMAS, ONTARIO, CANADA

Printed in U.S.A.

**For U.S. and International Warranty Information,  
Please Visit [www.grpumps.com/warranty](http://www.grpumps.com/warranty)  
or call:  
U.S.: 419-755-1280  
International: +1-419-755-1352**

**For Canadian Warranty Information,  
Please Visit [www.grcanada.com/warranty](http://www.grcanada.com/warranty)  
or call:  
519-631-2870**