

Use With: OM-03989  
MR-03991

PUBLICATION NUMBER PL-04010-05  
October 22, 2015  
Rev. A 11/1/2023



# PUMP MODEL RS5A32-BAR

**MANUAL  
PART 2 of 3**

**PARTS  
LIST  
WITH  
PERFORMANCE CURVE**

**GORMAN-RUPP PUMPS**

[www.grpumps.com](http://www.grpumps.com)

©2015 Gorman-Rupp Pumps

Printed in U.S.A.

Register your new  
Gorman-Rupp pump online at  
**[www.grpumps.com](http://www.grpumps.com)**

Valid serial number and e-mail address required.

**RECORD YOUR PUMP MODEL AND SERIAL NUMBER**

Please record your pump model and serial number in the spaces provided below. Your Gorman-Rupp distributor needs this information when you require parts or service.

Pump Model: \_\_\_\_\_

Serial Number: \_\_\_\_\_

## PERFORMANCE CURVE – SECTION A

### RECORDING MODEL AND SERIAL NUMBERS

Please record the pump model and serial number in the spaces provided below and in the separate Installation/Operation Manual accompanying your pump. Your Gorman-Rupp distributor needs this information when you require parts or service.

Pump Model: \_\_\_\_\_

Serial Number: \_\_\_\_\_

### WARRANTY INFORMATION

The pump warranty is provided as part of Gorman-Rupp's support program for customers who operate and maintain their equipment as described in this manual and other accompanying literature. Please note that should the equipment be abused or modified to change its performance beyond the original factory specifications, the warranty will become void and any claim will be denied. For warranty information, please visit [www.grpumps.com/warranty](http://www.grpumps.com/warranty).

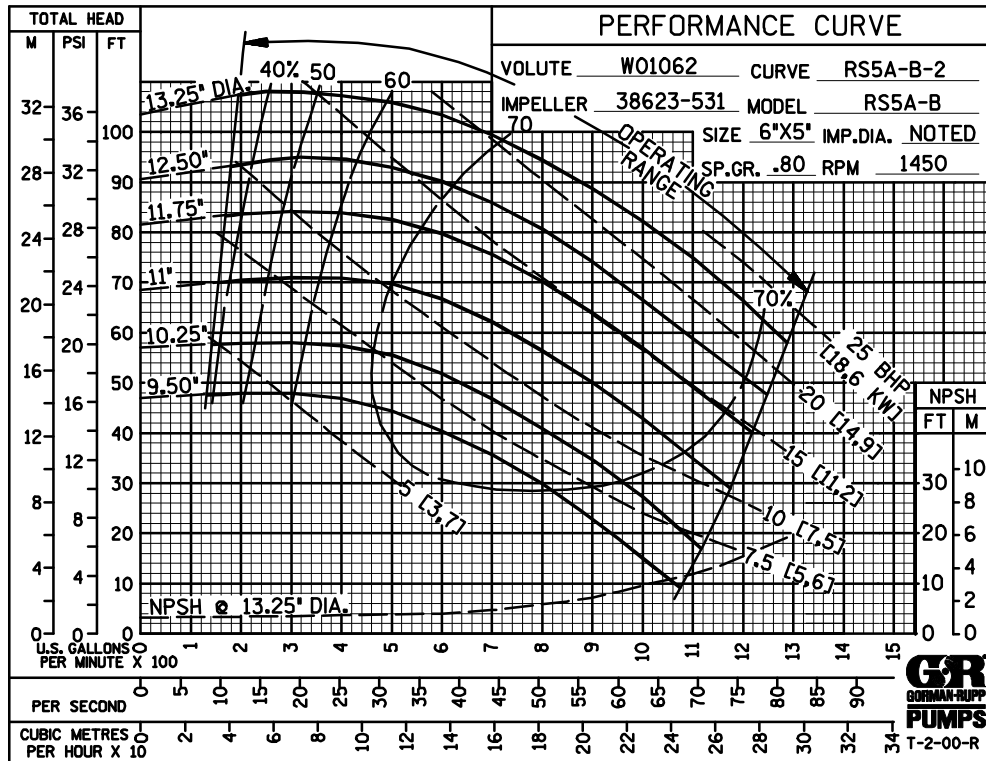
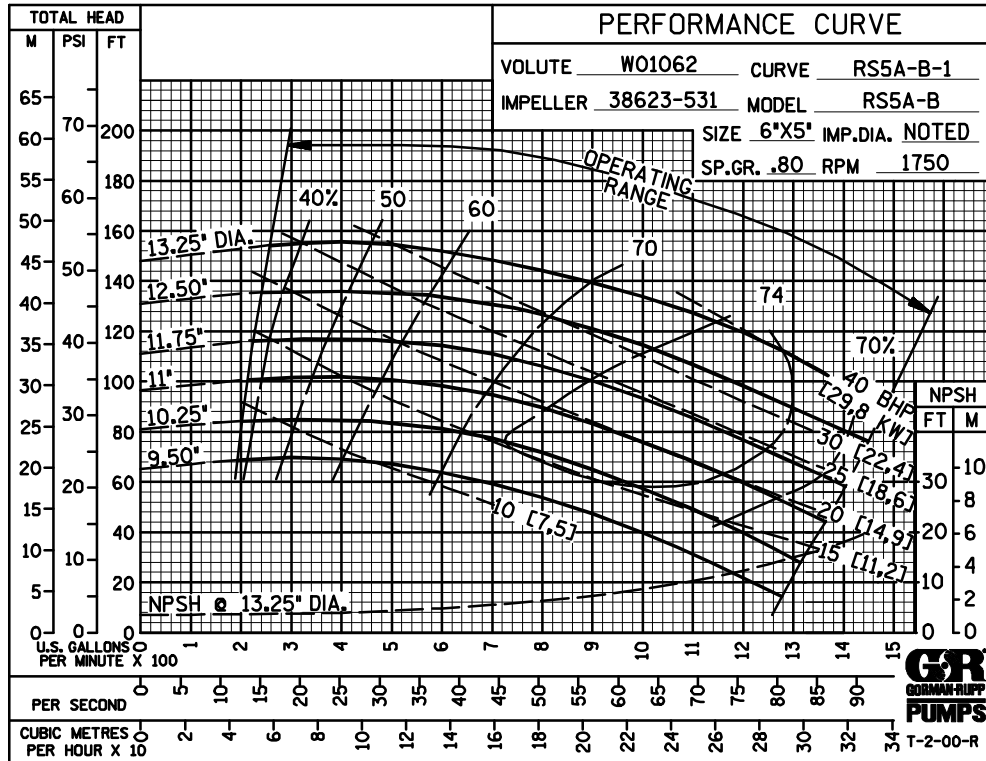
### PERFORMANCE CURVES

The performance curves on the following page are based on 70°F (21°C) clear water at sea level, corrected to 0.80 specific gravity, with minimum suction lift. Since pump installations are seldom identical, your performance may be different due to such factors as viscosity, specific gravity, elevation, temperature, and impeller trim.

If your pump serial number is followed by an "N", your pump is **NOT** a standard production model. Contact the Gorman-Rupp Company to verify performance or part numbers.



Pump speed and operating condition points must be within the continuous performance range shown on the curve(s).

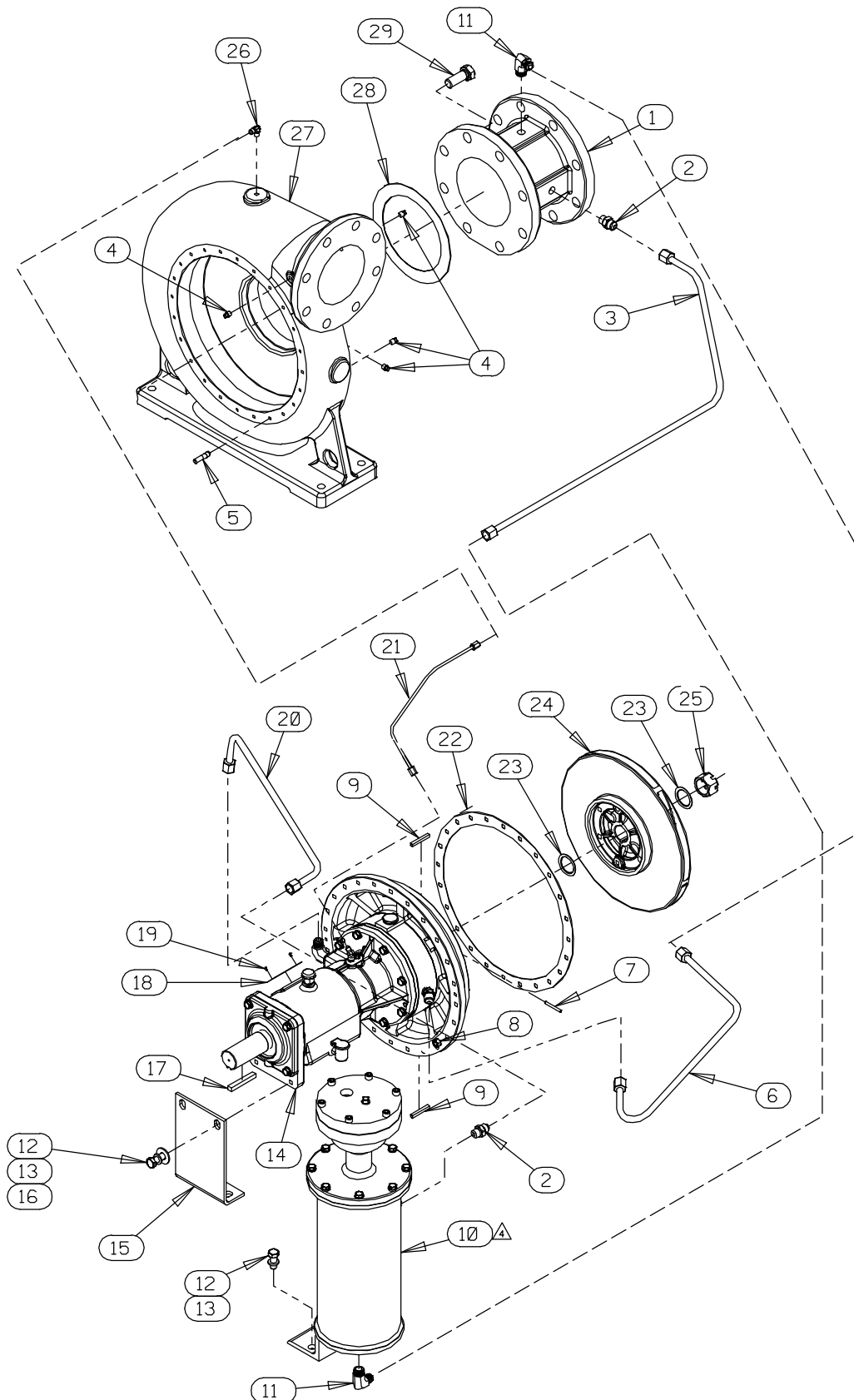


Performance Curve – Model RS5A32–BAR

**This Page Intentionally Blank**

# RS5A32-BAR

S/N 1622710 Up  
PUMP ISSUE 5



## GORMAN-RUPP PUMPS

[www.grpumps.com](http://www.grpumps.com)

©2015 Gorman-Rupp Pumps

Printed in U.S.A.

# RS5A32—BAR

S/N 1622710 Up  
PUMP ISSUE 5

## PARTS LIST Pump Model RS5A32—BAR

If your pump serial number is followed by an "N", your pump is **NOT** a standard production model. Contact the Gorman-Rupp Company to verify part numbers.

ITEM NO.	PART NAME	PART NUMBER	QTY	ITEM NO.	PART NAME	PART NUMBER	QTY
1	SUCTION FLANGE	11402F 10140	1	23	IMPELLER WASHER	K76643 15991	2
2	CONNECTOR	25812-214	2	† 24 *	IMPELLER	38623-531 13048	1
3	RETURN TUBE ASSY	46335-078	1	25	IMPELLER LOCK NUT	K88233 15111	1
☞ 4	PIPE PLUG	P02 15079	4	26	MALE ELBOW	25817-032	1
☞ 5	STUD	C0606-1/2 15991	24	☞ 27	PUMP CASING	SEE NOTE BELOW	1
6	SUCTION TUBE ASSY	46335-079	1	28 *	RING GASKET	38682-208 19370	1
7	SPIRAL PIN	21137-079	1	29	HEX HEAD CAP SCREW	B1208 15991	8
8	HEX NUT	D06 15991	24	NOT SHOWN:			
9 *	IMPELLER KEY	K79330 16120	2	*	DISCH FLANGE GASKET	1678G 19060	1
10 ●	AIR RELEASE VLV ASSY	GRP33-08B	1	*	SUCT FLANGE GASKET	1679G 19370	1
11	MALE ELBOW	25812-011	2		ROTATION DECAL	2613M	1
12	HEX HEAD CAP SCREW	B0805 15991	4		INSTRUCTION TAG	38817-011	1
13	LOCK WASHER	J08 15991	4		LUBRICATION DECAL	38816-074	1
14	BEARING HSG ASSY	R12922-04	1		SUCTION STICKER	6588AG	1
15	BEARING HSG SUPPORT	R12852-02 15990	1		DISCHARGE STICKER	6588BJ	1
16	FLAT WASHER	K08 15991	2		G-R DECAL	GR-03	1
17 *	DRIVE KEY	N0611 15990	1	OPTIONAL:			
18	NAMEPLATE	2613DZ 13990	1		DISCHARGE CHECK VALVE		
19	DRIVE SCREW	BM#04-03 17000	2		-CHECK VALVE	26642-206	1
20	DISCHARGE TUBE ASSY.	46335-099	1		-HEX HD CAPSCREW	B1212 15991	8
21	SEAL TUBE ASSY	46335-065	1		-GASKET	1678G 19060	1
22 *	BODY COVER GASKET	N15237-21 19060	1		-HEX NUT	D12 15991	8

\* INDICATES PARTS RECOMMENDED FOR STOCK

† ALL ROTO-PRIME<sup>®</sup> IMPELLERS ARE TRIMMED AND INCLUDE WEAR RINGS AND GROOVE PINS.  
WEAR RINGS ARE NOT SOLD SEPARATELY.

● SEE ACCOMPANYING LITERATURE FOR INDIVIDUAL PARTS,  
MAINTENANCE AND REPAIR.

☞ INCLUDED WITH REPAIR 46474-336 1  
PUMP CASING ASSY

## GORMAN-RUPP PUMPS

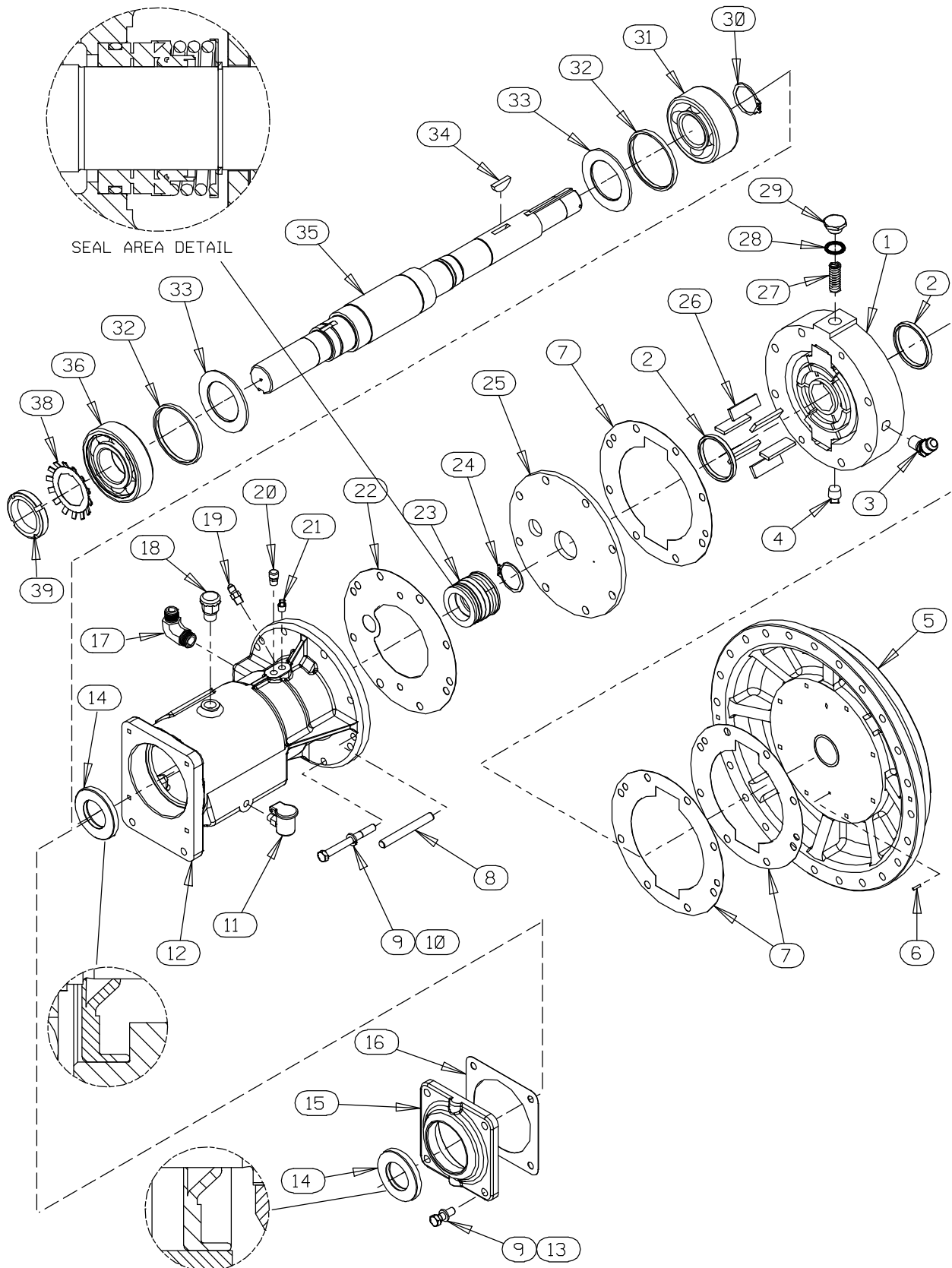
www.grpumps.com

©2015 Gorman-Rupp Pumps

Printed in U.S.A.

# RS5A32-BAR

S/N 1622710 Up  
PUMP ISSUE 5



## GORMAN-RUPP PUMPS

[www.grpumps.com](http://www.grpumps.com)

©2015 Gorman-Rupp Pumps

Printed in U.S.A.



# RS5A32—BAR

S/N 1622710 Up  
PUMP ISSUE 5

## PARTS LIST R12922—04 Bearing Housing Assembly

ITEM NO.	PART NAME	PART NUMBER	QTY	ITEM NO.	PART NAME	PART NUMBER	QTY
1	GROUP GRIND	LK05271	1	22 *	SPACER PLATE GASKET	R12923 18000	1
2	BLADE SPACER	K76623 15030	2	23 *	MECH SEAL	25271—921	1
3	MALE ELBOW	25812—161	1	24	SNAP RING	24124—243	1
4	PIPE PLUG	P06 15079	1	25	SPACER PLATE	R12771—02 11010	1
5	BODY COVER	T03712—20 10140	1	26 *	ROTOR BLADE	K79300—21	6
6 *	LOCATING PIN	21154—666	1	27	SPRING	K76626	1
† 7 *	CENTER PLATE GASKET	R10150 19210	3	28 *	RING GASKET	K86067	1
8	DOWEL PIN	21133—116	2	29	SPRING CAP	K68064 15991	1
9	LOCK WASHER	J06 15991	12	30	SNAP RING	24124—245	1
10	HEX HEAD CAP SCREW	B0615 15991	8	31 *	BALL BEARING	23421—410	1
11	OILER	26713—054	1	32	OIL RING	K86483 15030	2
12	BEARING HOUSING	W01172—04 11010	1	33	OIL RING STOP	K76632—01	2
13	HEX HEAD CAP SCREW	B0605 15991	4	34 *	WOODRUFF KEY	K74041 15590	1
14 *	OIL SEAL	25227—240	2	35 *	IMPELLER SHAFT	T08620—02 15010	1
15	BEARING HOUSING CAP	R12770—02 10010	1	36 *	BALL BEARING	S1077	1
16 *	BEARING CAP GASKET	N18938—01 18000	1	38	BRG LOCK WASHER	23962—511	1
17	MALE ELBOW	25812—011	1	39	BRG LOCK NUT	23962—011	1
18	AIR VENT	S1703	1		OPTIONAL:		
19	MALE CONNECTOR	25817—202	1		SST IMPELLER SHAFT	T08620—02 17080	1
20	AIR VENT	S2162	1		FLUOROCARBON SEAL	25271—928	1
21	PIPE PLUG	P02 15079	1				

\* INDICATES PARTS RECOMMENDED FOR STOCK

† 2 GASKETS REQUIRED ON ONE FACE ONLY WHEN ROTOR OR SLIDE IS THICKER THAN CENTER PLATE.

### GORMAN-RUPP PUMPS

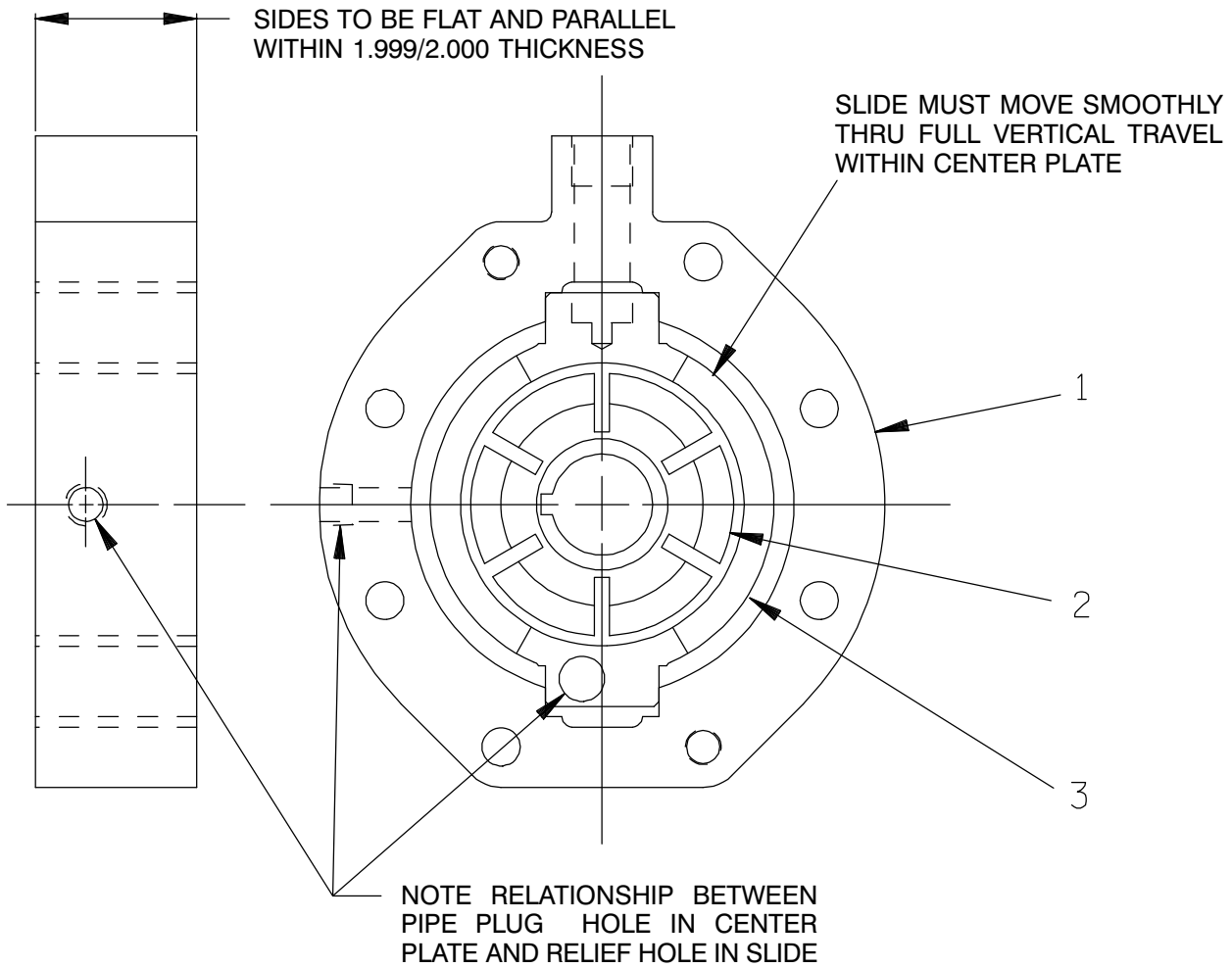
www.grpumps.com

©2015 Gorman-Rupp Pumps

Printed in U.S.A.

# RS5A32-BAR

S/N 1622710 Up  
PUMP ISSUE 5



## PARTS LIST LK05271 Group Grind

ITEM NO.	PART NAME	PART NUMBER	QTY
1	CENTER PLATE	NOT AVAILABLE	1
2	ROTOR	NOT AVAILABLE	1
3	SLIDE	NOT AVAILABLE	1

**NOTE:** THE GROUP GRIND MUST BE REPLACED AS A COMPLETE UNIT: INDIVIDUAL PIECE PARTS ARE NOT SOLD SEPARATELY.

## GORMAN-RUPP PUMPS

[www.grpumps.com](http://www.grpumps.com)

©2015 Gorman-Rupp Pumps

Printed in U.S.A.

**For Warranty Information, Please Visit  
[www.grpumps.com/warranty](http://www.grpumps.com/warranty)  
or call:  
U.S.: 419-755-1280  
Canada: 519-631-2870  
International: +1-419-755-1352**

**GORMAN-RUPP PUMPS**