



# PUMP MODEL RD2A31-B

MANUAL  
PART 2 of 3

PARTS  
LIST  
WITH  
PERFORMANCE CURVE

**THE GORMAN-RUPP COMPANY • MANSFIELD, OHIO**

GORMAN-RUPP OF CANADA LIMITED • ST. THOMAS, ONTARIO, CANADA Printed in U.S.A.

© Copyright by the Gorman-Rupp Company



## PERFORMANCE CURVE – SECTION A

### RECORDING MODEL AND SERIAL NUMBERS

Please record the pump model and serial number in the spaces provided below and in the separate Installation/Operation Manual accompanying your pump. Your Gorman-Rupp distributor needs this information when you require parts or service.

Pump Model: \_\_\_\_\_

Serial Number: \_\_\_\_\_

### WARRANTY INFORMATION

The pump warranty is provided as part of Gorman-Rupp's support program for customers who operate and maintain their equipment as described in this manual and other accompanying literature. Please note that should the equipment be abused or modified to change its performance beyond the original factory specifications, the warranty will become void and any claim will be denied.

### PERFORMANCE CURVES

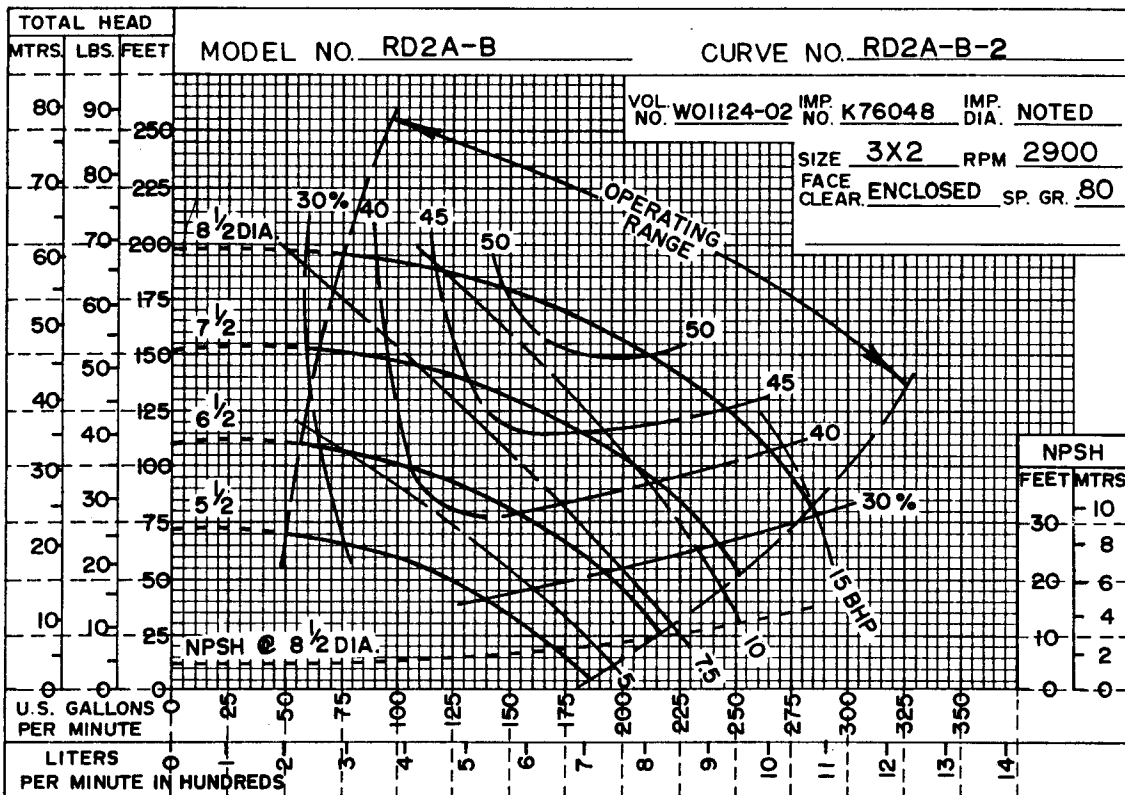
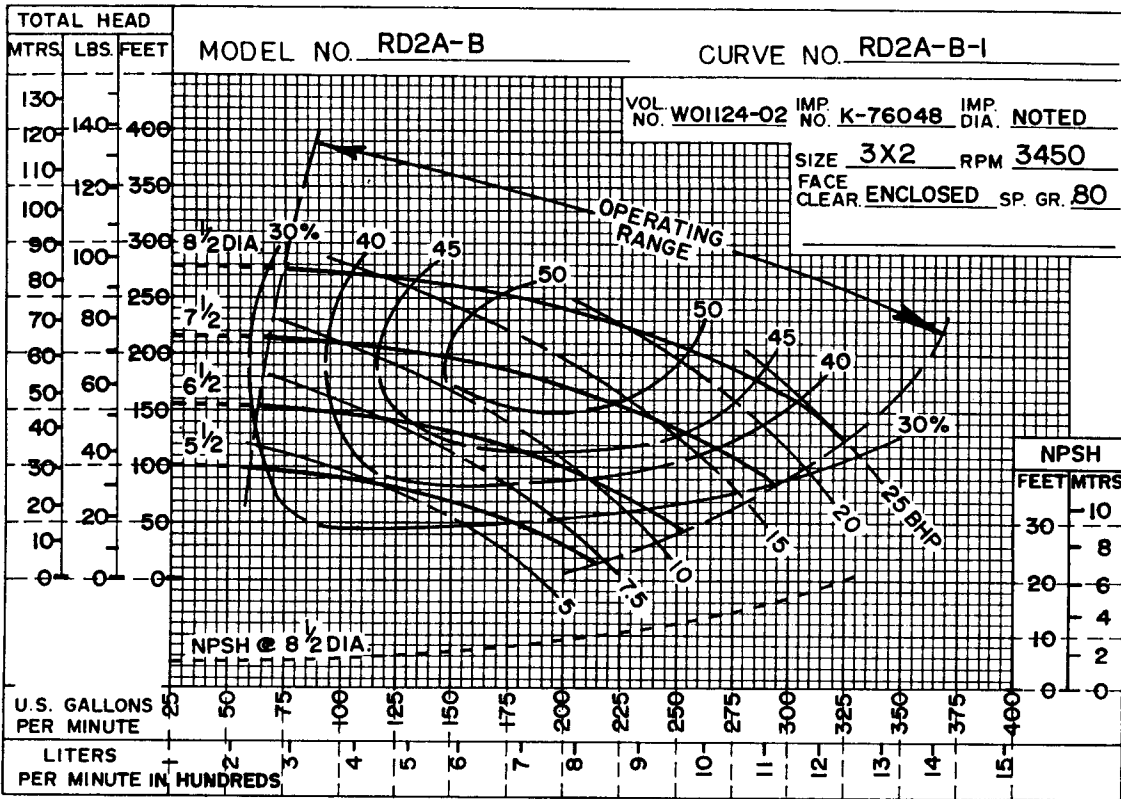
The performance curves on the following page are based on 70° F (21° C) clear water at sea level, corrected to 0.80 specific gravity, with minimum suction lift. Since pump installations are seldom identical, your performance may be different due to such factors as viscosity, specific gravity, elevation, temperature, and impeller trim.

If your pump serial number is followed by an "N", your pump is **NOT** a standard production model. Contact the Gorman-Rupp Company to verify performance or part numbers.



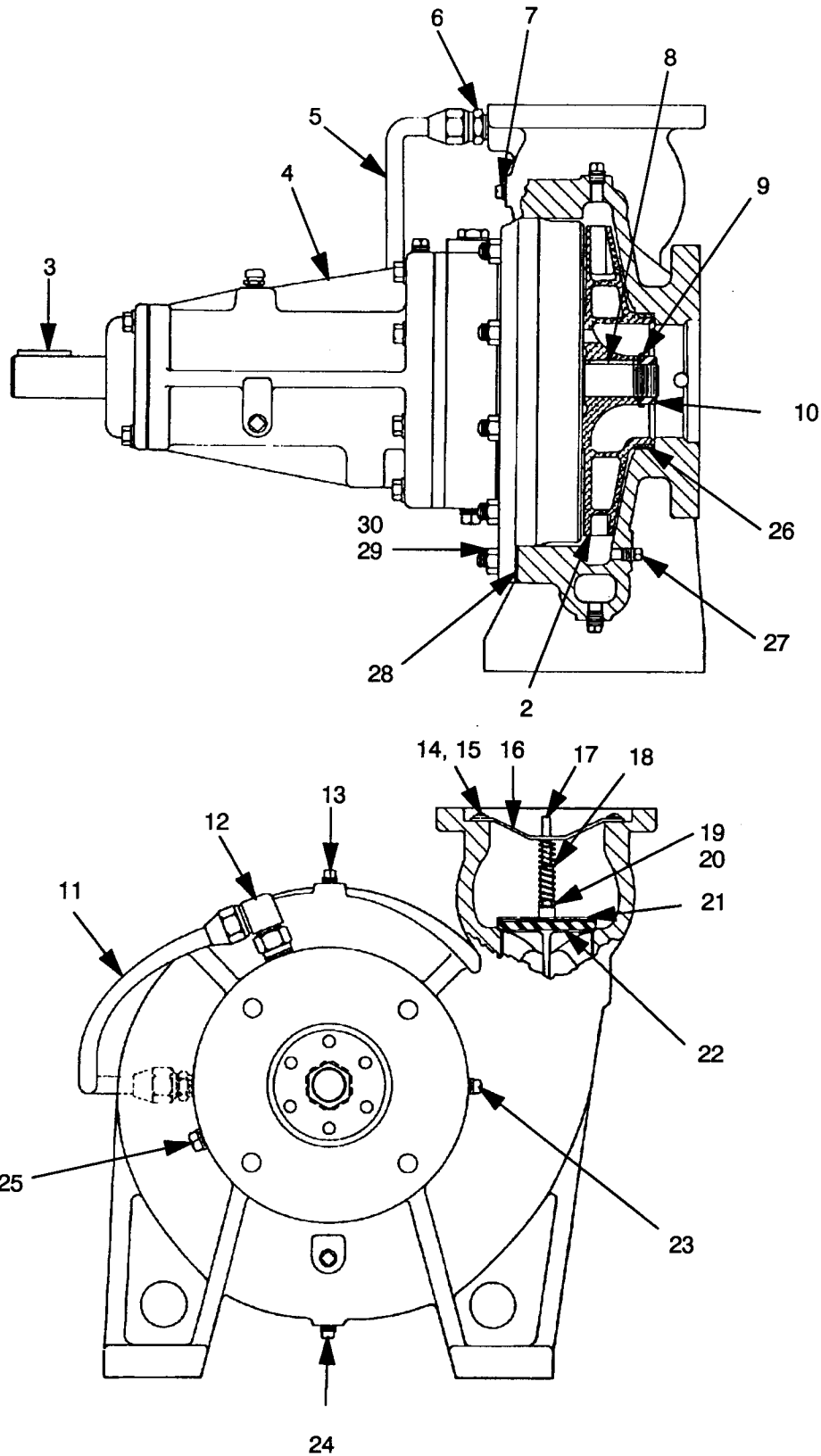
Pump speed and operating condition points must be within the continuous performance range shown on the curve(s).

**This Page Intentionally Blank**



Performance Curves - Model RD2A31-B





**THE GORMAN-RUPP COMPANY • MANSFIELD, OHIO**

GORMAN-RUPP OF CANADA LIMITED • ST. THOMAS, ONTARIO, CANADA

Printed In U.S.A.

**S/N 1047784 Up  
PUMP ISSUE 1**

**PARTS LIST  
Pump Model RD2A31-B**

If your pump serial number is followed by an "N", your pump is **NOT** a standard production model. Contact the Gorman-Rupp Company to verify part numbers.

ITEM NO.	PART NAME	PART NUMBER	MAT'L CODE	QTY	ITEM NO.	PART NAME	PART NUMBER	MAT'L CODE	QTY
1	PUMP CASING	W01124-02	11010	1	25	PIPE PLUG	P06	15079	1
2 *	IMPELLER	K76048	13040	1	26 †	WEAR RING	NOT AVAILABLE		2
3 *	SHAFT KEY	N0406	15990	1	27	PIPE PLUG	P02	15079	1
4	BRG HOUSING ASSY	44143-001	-----	1	28 *	PUMP CASING GASKET	R12531	20000	1
5	DISCHARGE TUBE ASSY	R12654	-----	1	29	STUD	C0807	15991	12
6	CONNECTOR	26351-062	-----	1	30	HEX NUT	D08	15991	12
7	PIPE PLUG	P02	15079	1					
8 *	IMPELLER KEY	K79328-23	15990	1		NOT SHOWN:			
9	LOCKWASHER	23962-506	-----	1		NAME PLATE	2613DZ	13990	1
10	IMPELLER NUT	K75775	15111	1		DRIVE SCREW	BM#04-03	15990	2
11	SUCTION TUBE ASSY	R12655	-----	1		LUBE DECAL	38816-081	-----	1
12	MALE ELBOW	26351-133	-----	1		STRAINER	26841-074	-----	1
13	PIPE PLUG	P02	15079	1		SUCTION STICKER	6588AG	-----	1
14	SCREW	21513-314	-----	2		DISCHARGE STICKER	6588BJ	-----	1
15	T-TYPE LOCKWASHER	AL04	17170	2		* DISCH CHK VALVE GSMT	11589GA	18000	1
16	GUIDE	K74251	15991	1		* DISCH FLANGE GASKET	N14226	18000	1
17	VALVE STEM	K74008	15991	1		INSTRUCTION TAG	38817-011	-----	1
18	VALVE SPRING	K68834	-----	1		BEARING TAG	6588ABB	-----	1
19	HEX NUT	D04	15991	1		ROTATION DECAL	2613M	-----	1
20	T-TYPE LOCKWASHER	AL04	17170	1		OPTIONAL:			
21	DISCHARGE VALVE	K74010A	14000	1		● AIR RELEASE VALVE	GRPP52-01A	-----	1
22	O-RING	25152-330	-----	1		BRONZE IMPELLER	K76048	14150	1
23	PIPE PLUG	P02	15079	1					
24	PIPE PLUG	P02	15079	1					

\* INDICATES PARTS RECOMMENDED FOR STOCK

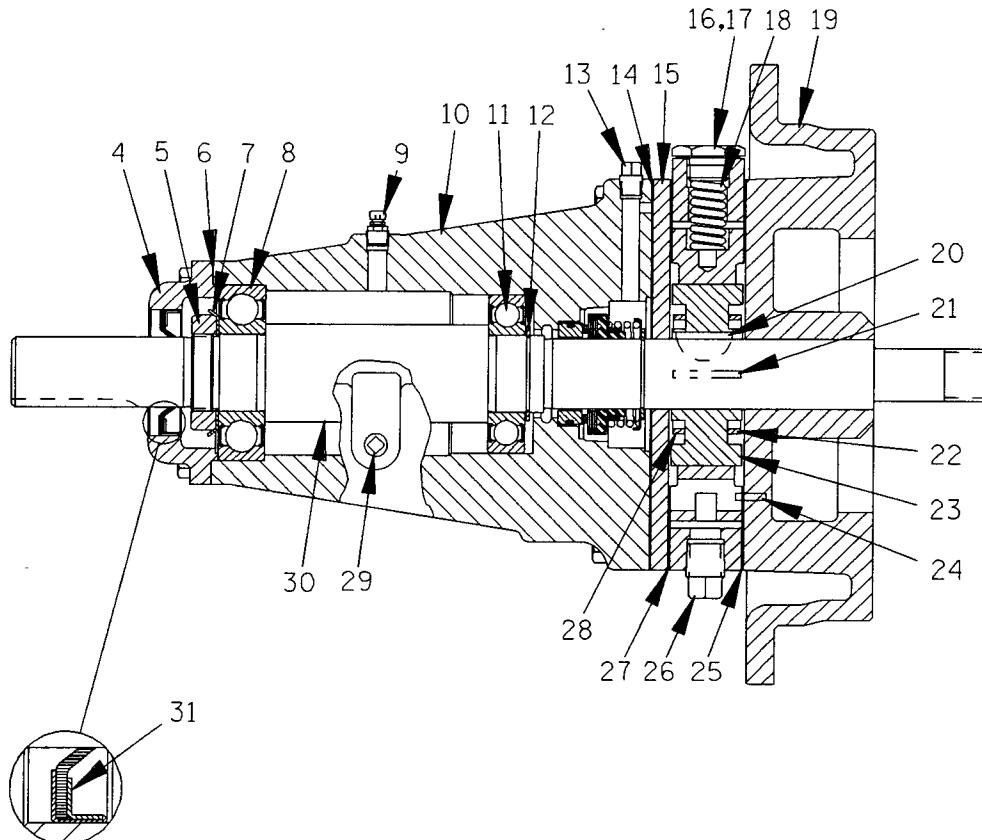
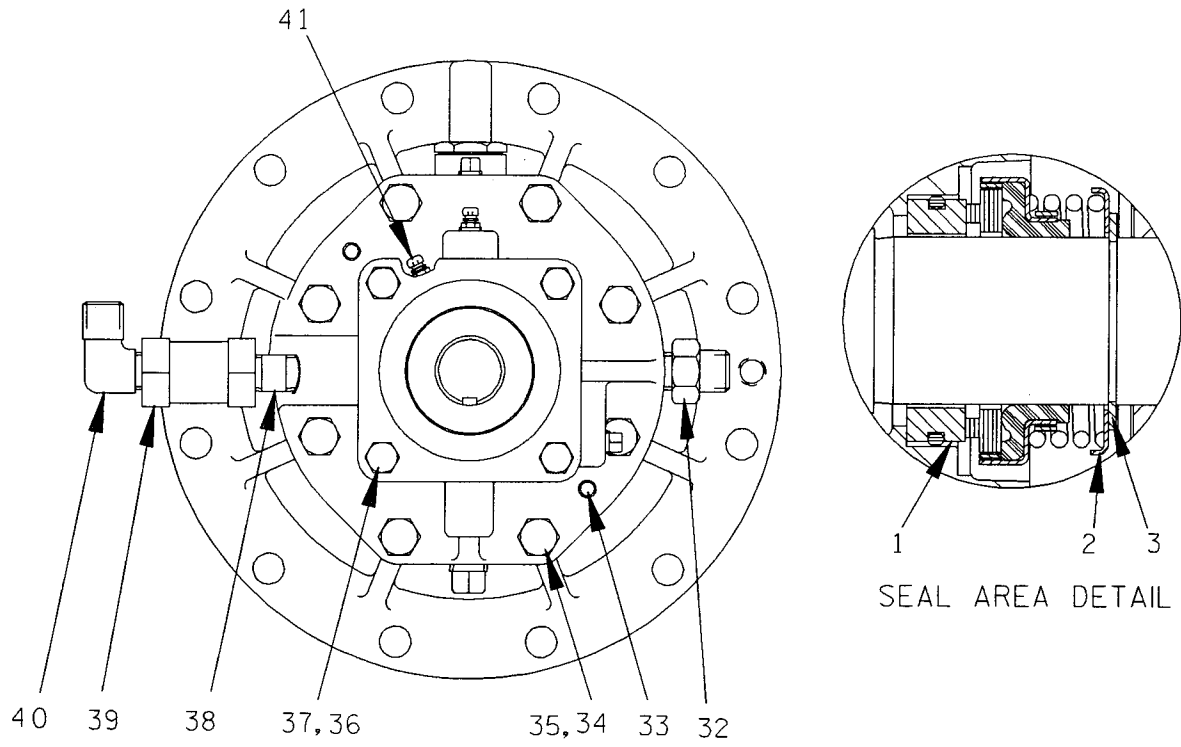
Above Serial Numbers Do Not Apply To Pumps Made In Canada.

CANADIAN SERIAL NO. .... AND UP

† ALL ROTO-PRIME® IMPELLERS ARE TRIMMED AND INCLUDE WEAR RINGS AND GROOVE PINS. WEAR RINGS ARE NOT SOLD SEPARATELY.

● SEE ACCOMPANYING LITERATURE FOR INDIVIDUAL PARTS, MAINTENANCE AND REPAIR.





S/N 1047784 Up  
PUMP ISSUE 1

**PARTS LIST**  
**44143-001 Bearing Housing Assembly**

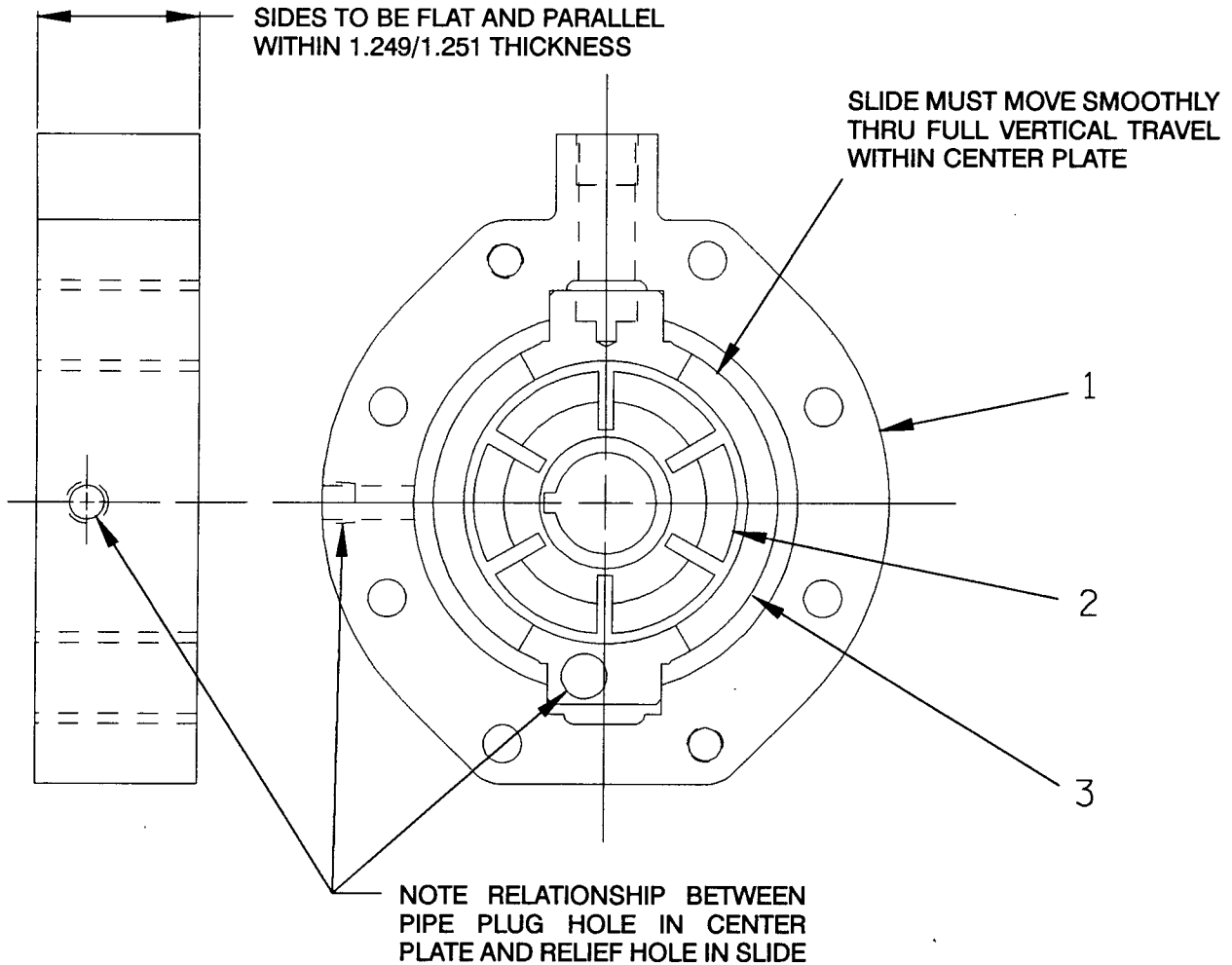
ITEM NO.	PART NAME	PART NUMBER	MAT'L CODE	QTY	ITEM NO.	PART NAME	PART NUMBER	MAT'L CODE	QTY
1 *	SEAL ASSEMBLY	25271-192	-----	1	27 *	CENTER PLATE GASKET	N14145	18010	1
2 *	SPRING CTR WASHER	25273-266	-----	1	28	BLADE SPACER	K74031	15030	1
3	SEAL RETAINING RING	S700	-----	1	29	PIPE PLUG	P02	15079	1
4	BEARING CAP	N14130	10010	1	30 *	IMPELLER SHAFT	T07888	15010	1
5	BEARING LOCK NUT	S301	-----	1	31 *	OIL SEAL	25227-230	-----	1
6 *	BEARING CAP GASKET	K74033	18000	1	32	CONNECTOR	26351-062	-----	1
7	TAB WASHER	S302	-----	1	33	DOWEL PIN	21133-073	-----	2
8 *	OUTBOARD BEARING	23282-008	-----	1	34	HEX HD CAPSCREW	21632-611	-----	8
9	AIR VENT	S2162	-----	1	35	LOCKWASHER	J06	15991	8
10	BEARING HOUSING	T02990	11010	1	36	HEX HD CAPSCREW	B0504	15991	4
11 *	BALL BEARING	23257-012	-----	1	37	LOCKWASHER	J05	15991	4
12	BEARING RET RING	S248	-----	1	38	CLOSE NIPPLE	T06	15079	1
13	PIPE PLUG	P02	15079	1	39	CHECK VALVE	26641-082	-----	1
14 *	SPACER PLATE GASKET	N14144	18000	1	40	MALE ELBOW	26351-133	-----	1
15	SPACER PLATE	N14129	11010	1	41	AIR VENT	S2162	-----	1
16	PRESS REG SPRING CAP	K68064	15991	1		OPTIONAL:			
17 *	SPRING CAP GASKET	K86067	-----	1		SST IMPELLER SHAFT	T07888	17080	1
18 *	PRESS REG SPRING	K76301	-----	1		TEFLON SEAL ASSY	25271-743	-----	1
19	BODY COVER	T07826-02	11010	1	●	OIL LUBE BEARING HOUSING ASSEMBLY	44143-096	-----	1
20 *	ROTOR WOODRUFF KEY	K61559	15990	1		-INBOARD BEARING	S310	-----	1
21 *	ROTOR BLADE	K79300-20	-----	6		-OUTBOARD BEARING	23275-008	-----	1
22	ROTOR BLADE SPACER	K74031	15030	1		-OIL CUP	26713-051	-----	1
23	GROUP GRIND	42212-013	-----	1		GROUP GRIND WITH C.I. ROTOR			
24 *	LOCATING PIN	21154-666	-----	1		-C.I. GROUP GRIND	LK05266	-----	1
25 †	CENTER PLATE GASKET	N14145	18010	2					
26	PIPE PLUG	P06	15079	1					

\* INDICATES PARTS RECOMMENDED FOR STOCK

† 2 GASKETS REQUIRED WHEN ROTOR OR SLIDE IS THICKER THAN CENTER PLATE.

● ALL OTHER COMPONENTS SAME AS STANDARD BEARING HOUSING ASSEMBLY.

**THE GORMAN-RUPP COMPANY • MANSFIELD, OHIO**



**PARTS LIST**  
**42212-013 Group Grind**

ITEM NO.	PART NAME	PART NUMBER	MAT'L CODE	QTY
1	CENTER PLATE	NOT AVAILABLE	----	1
2	ROTOR	NOT AVAILABLE	----	1
3	SLIDE	NOT AVAILABLE	----	1

**NOTE:** THE GROUP GRIND MUST BE REPLACED AS A COMPLETE UNIT. INDIVIDUAL PIECE PARTS ARE NOT SOLD SEPARATELY.

**THE GORMAN-RUPP COMPANY • MANSFIELD, OHIO**

GORMAN-RUPP OF CANADA LIMITED • ST. THOMAS, ONTARIO, CANADA

Printed in U.S.A.

**For U.S. and International Warranty Information,  
Please Visit [www.grpumps.com/warranty](http://www.grpumps.com/warranty)  
or call:  
U.S.: 419-755-1280  
International: +1-419-755-1352**

**For Canadian Warranty Information,  
Please Visit [www.grcanada.com/warranty](http://www.grcanada.com/warranty)  
or call:  
519-631-2870**