

AC

Use With: OM-04151
MR-04269

PUBLICATION NUMBER PL-04176-05

October 18, 2000

Rev. B 09/06/02



PUMP MODEL
S3B1 230V 1P

S3B1 230V 3P, S3B1 460V 3P

MANUAL
PART 2 of 3

PARTS
LIST
WITH
PERFORMANCE CURVE

THE GORMAN-RUPP COMPANY • MANSFIELD, OHIO

www.grpumps.com

GORMAN-RUPP OF CANADA LIMITED • ST. THOMAS, ONTARIO, CANADA

Printed in U.S.A.

©2000 The Gorman-Rupp Company

Register your new
Gorman-Rupp pump online at
www.grpumps.com

Valid serial number and e-mail address required.

RECORD YOUR PUMP MODEL AND SERIAL NUMBER

Please record your pump model and serial number in the spaces provided below. Your Gorman-Rupp distributor needs this information when you require parts or service.

Pump Model: _____
Serial Number: _____

PERFORMANCE CURVE – SECTION A

RECORDING MODEL AND SERIAL NUMBERS

Please record the pump model and serial number in the spaces provided below and in the separate Installation/Operation Manual accompanying your pump. Your Gorman-Rupp distributor needs this information when you require parts or service.

Pump Model: _____

Serial Number: _____

WARRANTY INFORMATION

The pump warranty is provided as part of Gorman-Rupp's support program for customers who operate and maintain their equipment as described in this manual and other accompanying literature. Please note that should the equipment be abused or modified to change its performance beyond the original factory specifications, the warranty will become void and any claim will be denied.

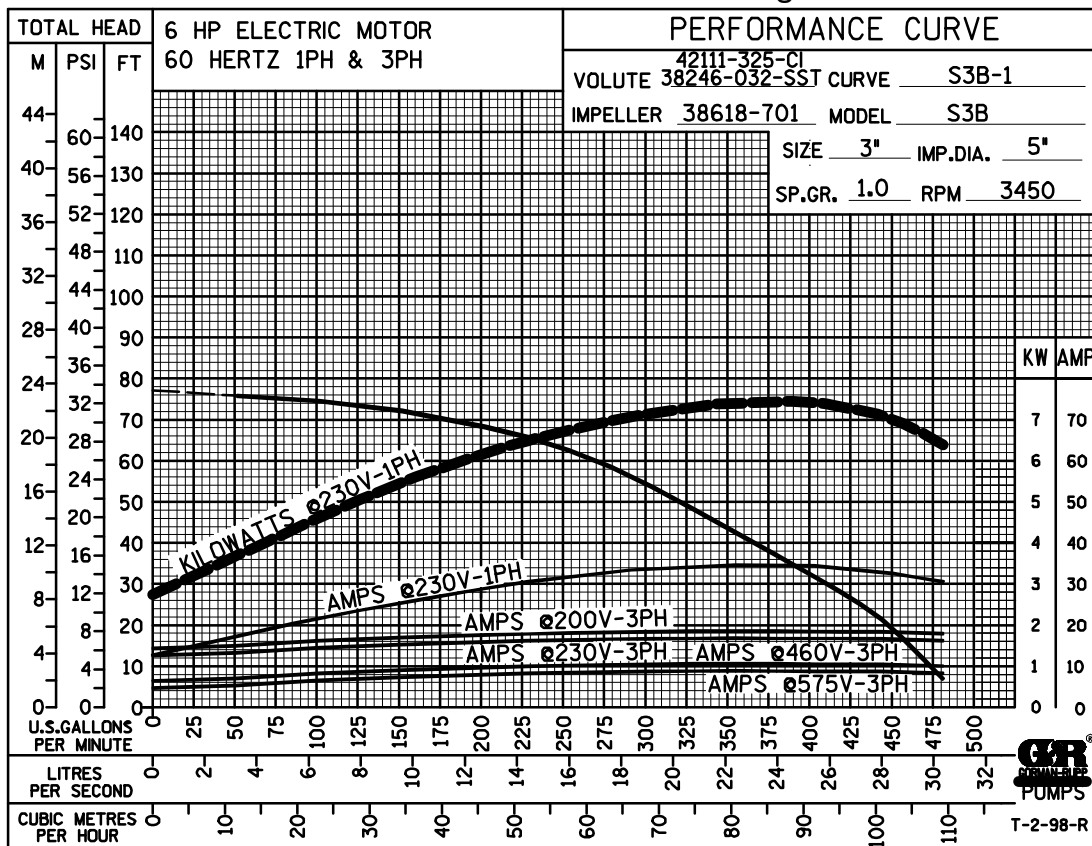
PERFORMANCE CURVES

The performance curve below is based on 70° F (21° C) clear water at sea level. Since pump installations are seldom identical, your performance may be different due to such factors as viscosity, specific gravity, elevation, temperature, and impeller trim.

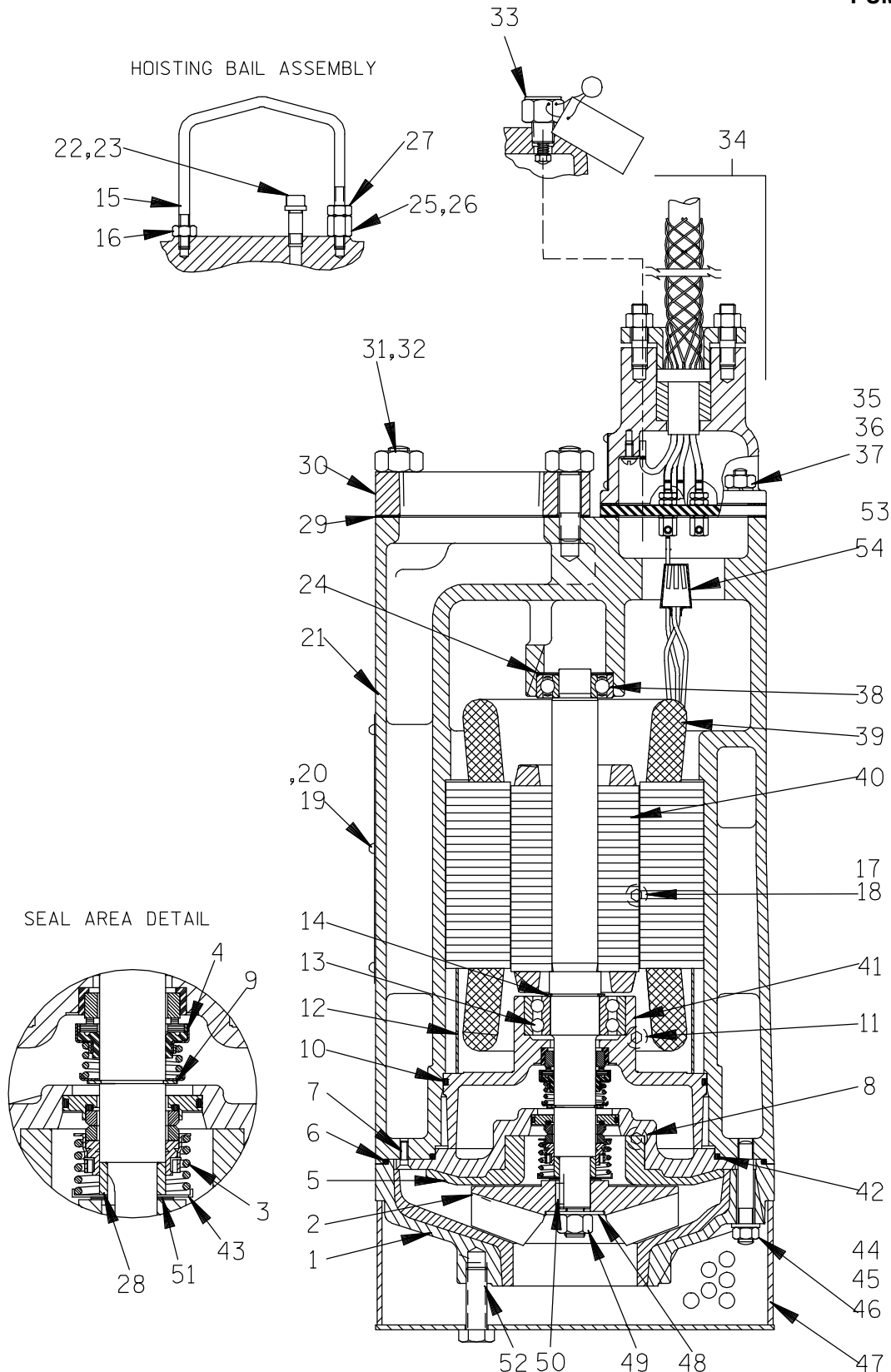
If your pump serial number is followed by an "N", your pump is **NOT** a standard production model. Contact the Gorman-Rupp Company to verify performance or part numbers.



Pump speed and operating condition points must be within the continuous performance range shown on the curve(s).



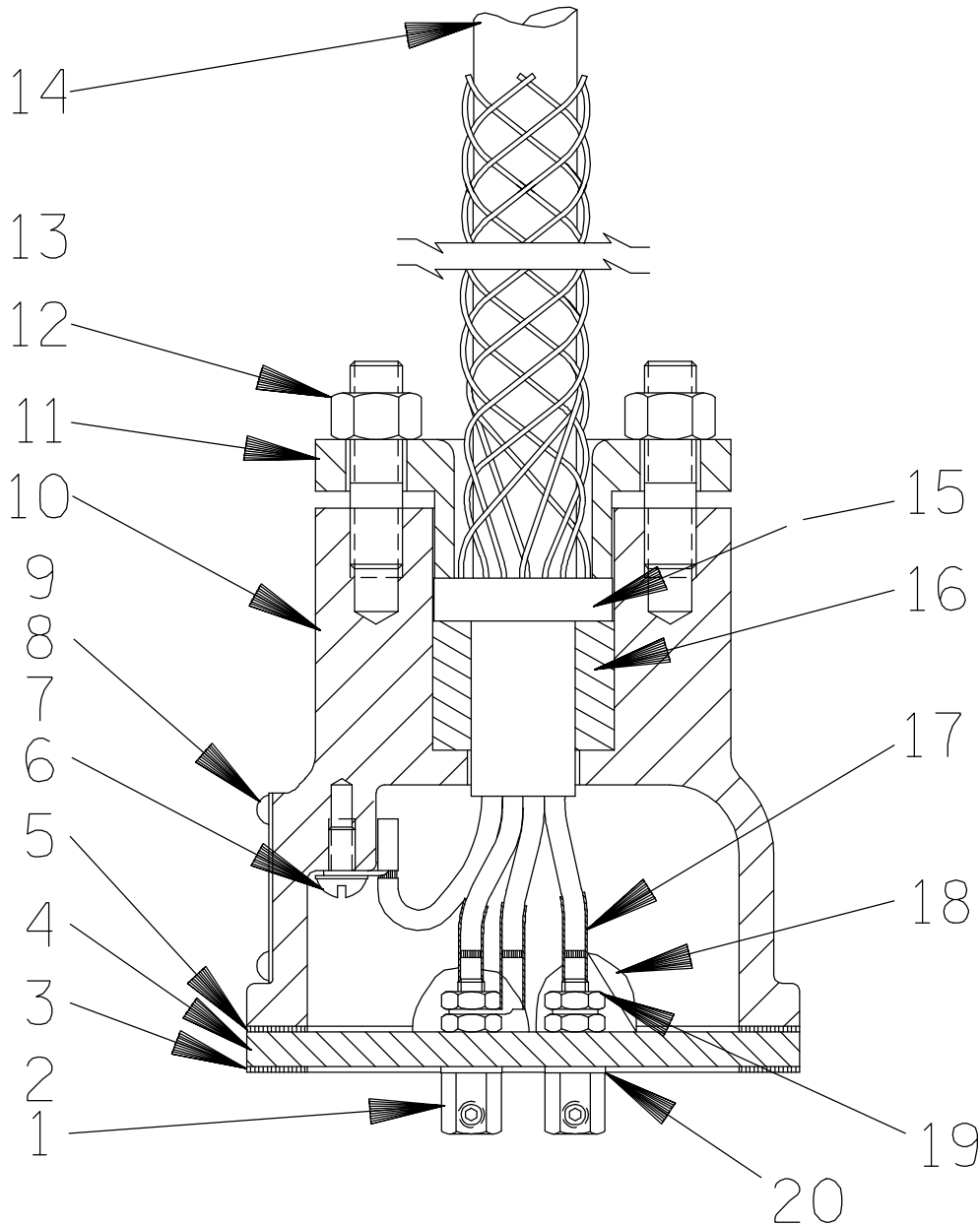
Performance Curve – Models S3B1 230V 1P



THE GORMAN-RUPP COMPANY • MANSFIELD, OHIO

GORMAN-RUPP OF CANADA LIMITED • ST. THOMAS, ONTARIO, CANADA

Printed in U.S.A.



THE GORMAN-RUPP COMPANY • MANSFIELD, OHIO

GORMAN-RUPP OF CANADA LIMITED • ST. THOMAS, ONTARIO, CANADA Printed in U.S.A.

**S3B1 230V 1P
S3B1 230V 3P
S3B1 460V 3P**

AC

S/N 1207584 Up
PUMP ISSUE 5

Terminal Housing

If your pump serial number is followed by an "N", your pump is **NOT** a standard production model. Contact the Gorman-Rupp Company to verify part numbers.

ITEM NO.	PART NAME	PART NUMBER	MAT'L CODE	QTY
1	TERMINAL	11181	14100	3
2	ALLEN HEAD SET SCREW	GA#10-01S	15991	3
3	* LOWER TERMINAL PLATE GASKET	10321G	20000	1
4	TERMINAL PLATE	10320A	23010	1
5	* UPPER TERMINAL PLATE GASKET	10321G	20000	1
6	ROUND HEAD MACHINE SCREW	X#10-01 1/2	14990	1
7	T TYPE LOCK WASHER	AK#10	15991	1
8	INFORMATION PLATE	38816-047	17990	1
9	DRIVE SCREW	BM#04-03	17000	4
10	TERMINAL HOUSING	10757	13040	1
11	TERMINAL CAP	10756B	13040	1
12	STUD	C0606	15991	2
13	HEX NUT	D06	15991	2
14	* 50 FT. CABLE ASSEMBLY	9166H	---	1
15	* CABLE GRIP	11227B	---	1
16	* GLAND BUSHING	10758F	19100	1
17	HEAT SHRINK TUBE	31411-203	19530	3
18	1 OZ. RTV SEALANT	18771-106	---	1
19	HEX NUT	D#10	14990	6
20	DYNA-SEAL WASHER	S1590	---	3

OPTIONAL:

HEAT SHRINK TERMINAL KIT	48315-008	---	1
--------------------------	-----------	-----	---

* INDICATES PARTS RECOMMENDED FOR STOCK

THE GORMAN-RUPP COMPANY • MANSFIELD, OHIO

GORMAN-RUPP OF CANADA LIMITED • ST. THOMAS, ONTARIO, CANADA

Printed in U.S.A.

**For U.S. and International Warranty Information,
Please Visit www.grpumps.com/warranty
or call:
U.S.: 419-755-1280
International: +1-419-755-1352**

**For Canadian Warranty Information,
Please Visit www.grcanada.com/warranty
or call:
519-631-2870**