

AC

Use With: OM--04151
MR--04269

PUBLICATION NUMBER PL--04183--02

February 2, 1995; Rev. D 02/16/98

Supersedes: PL--04181--02

PL--04182--02



PUMP MODEL
S3B65-E6 230/1
S3B65-E6 230/460/3

MANUAL
PART 2 of 3

PARTS
LIST
WITH
PERFORMANCE CURVE

THE GORMAN-RUPP COMPANY • MANSFIELD, OHIO

GORMAN-RUPP OF CANADA LIMITED • ST. THOMAS, ONTARIO, CANADA Printed in U.S.A.

©Copyright by the Gorman-Rupp Company

PERFORMANCE CURVE – SECTION A

RECORDING MODEL AND SERIAL NUMBERS

Please record the pump model and serial number in the spaces provided below and in the separate Installation/Operation Manual accompanying your pump. Your Gorman-Rupp distributor needs this information when you require parts or service.

Pump Model: _____

Serial Number: _____

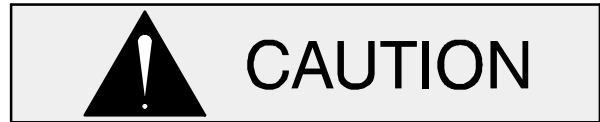
WARRANTY INFORMATION

The pump warranty is provided as part of Gorman-Rupp's support program for customers who operate and maintain their equipment as described in this manual and other accompanying literature. Please note that should the equipment be abused or modified to change its performance beyond the original factory specifications, the warranty will become void and any claim will be denied.

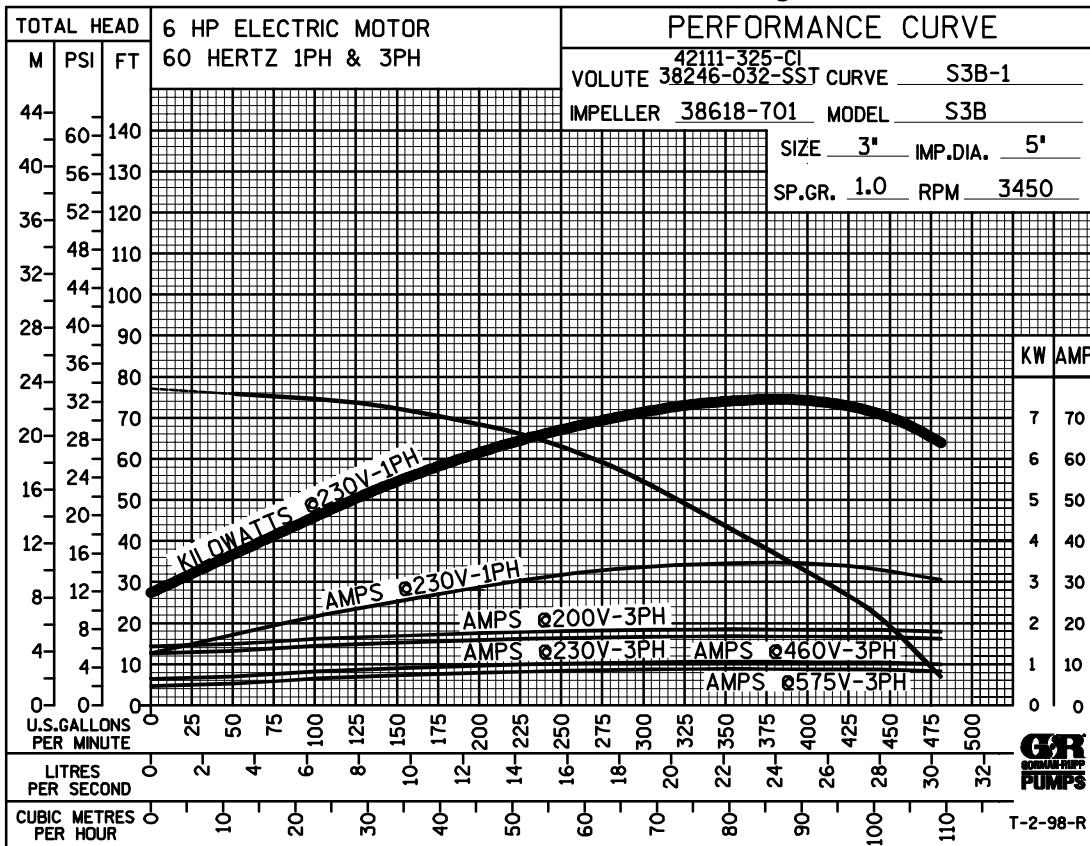
PERFORMANCE CURVES

The performance curves on the following page are based on 70° F (21° C) clear water at sea level. Since pump installations are seldom identical, your performance may be different due to such factors as viscosity, specific gravity, elevation, temperature, and impeller trim.

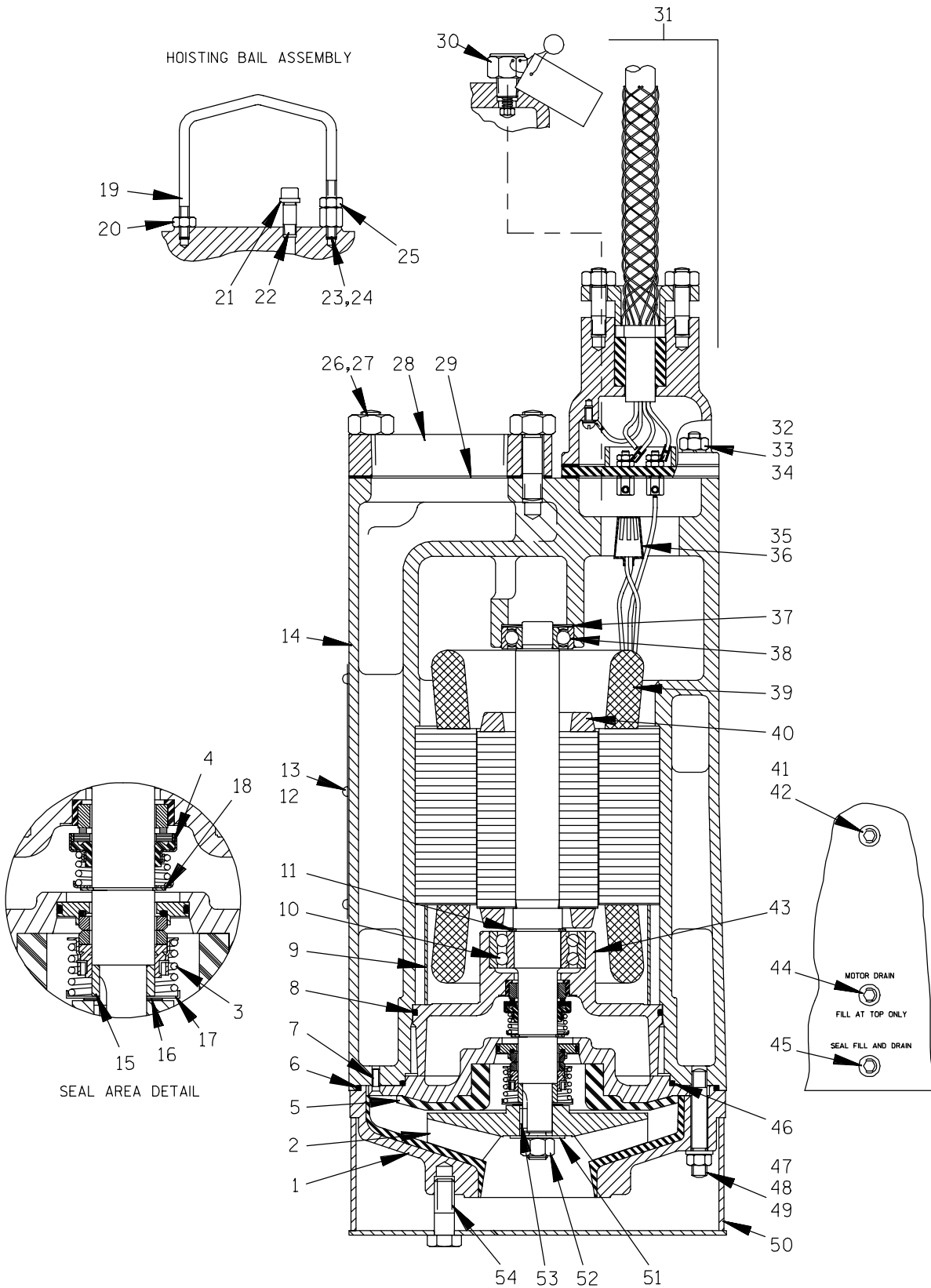
If your pump serial number is followed by an "N", your pump is **NOT** a standard production model. Contact the Gorman-Rupp Company to verify performance or part numbers.



Pump speed and operating condition points must be within the continuous performance range shown on the curve(s).



Performance Curve – Model S3B65–E6 230/1 And 230/460/3



THE GORMAN-RUPP COMPANY • MANSFIELD, OHIO

GORMAN-RUPP OF CANADA LIMITED • ST. THOMAS, ONTARIO, CANADA

Printed in U.S.A.

S3B65-E6 230/1
S3B65-E6 230/460/3

AC

S/N 861279 Up
PUMP ISSUE 2

If your pump serial number is followed by an "N", your pump is **NOT** a standard production model. Contact the Gorman-Rupp Company to verify part numbers.

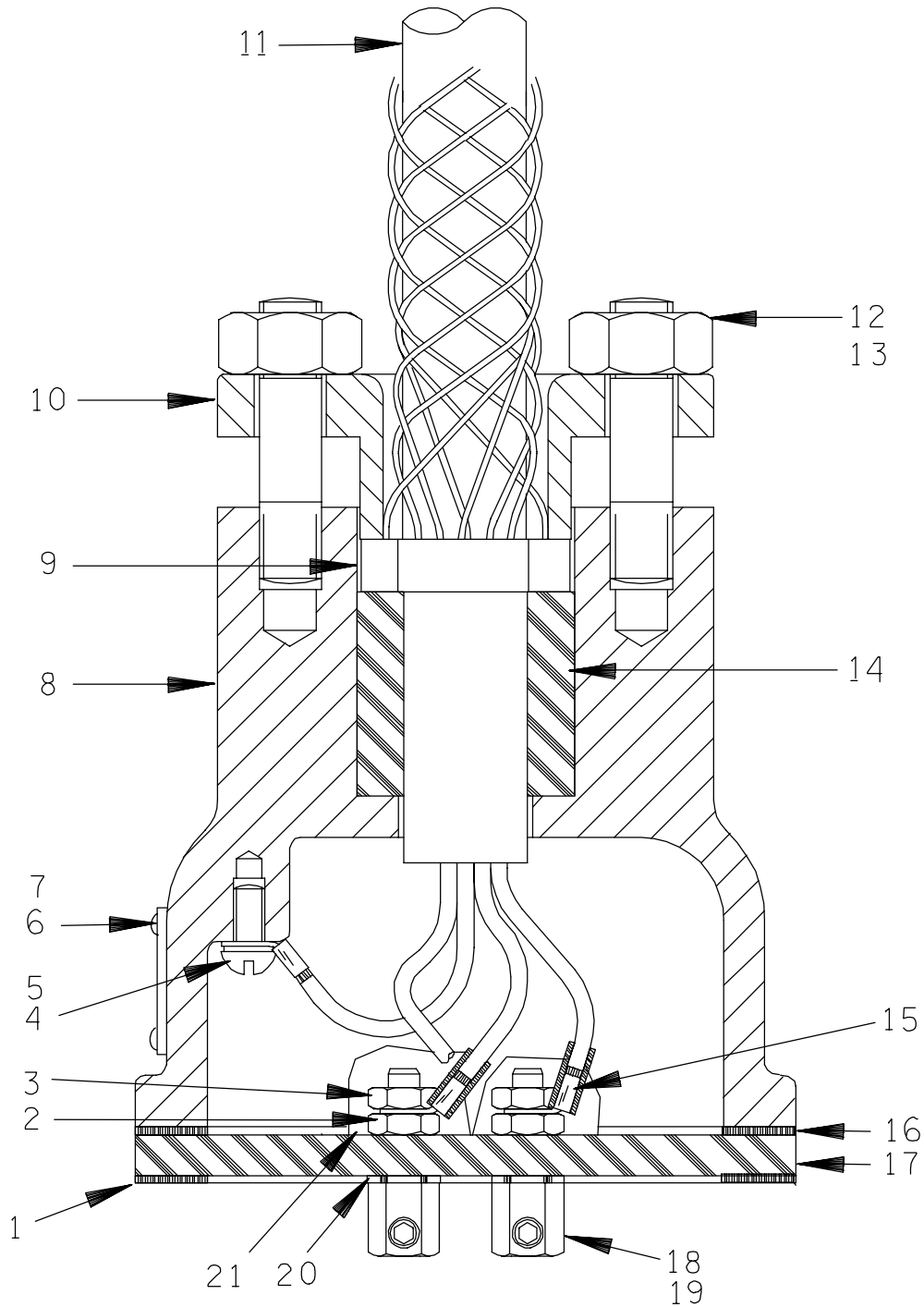
ITEM NO.	PART NAME	PART NUMBER	MAT'L CODE	QTY	ITEM NO.	PART NAME	PART NUMBER	MAT'L CODE	QTY
1	SUCTION HEAD	38246-032	1718H	1	38 *	UPPER BALL BEARING	S1044	---	1
2 *	IMPELLER	38618-701	1718H	1	39	STATOR ASSY			
3 *	LOWER SEAL ASSY	46512-071	---	1		-230/1	47113-860	---	1
4 *	UPPER SEAL ASSY	S1832	---	1		-230/3 & 460/3	47113-861	---	1
5	SEAL PLATE	38272-351	1718H	1	40 *	ROTOR & SHAFT ASSY			
6 *	MOTOR HSG O-RING	25154-270	---	1		-230/1	47112-811	---	1
7	FH MACH SCREW	Y#10-03	17090	2		-230/3 & 460/3	47112-810	---	1
8 *	INTERMEDIATE O-RING	25152-258	---	1	41	ALLEN HD SETSCREW	GA0603	15990	1
9	MOTOR BUSHING	31173-017	23010	1	42	SOCKET HD PIPE PLUG	PC04	17090	1
10 *	LOWER BALL BEARING	23425-007	---	1	43	INTERMEDIATE	38311-803	13040	1
11	BEARING SNAP RING	S1831	---	1	44	MTR CAVITY DRAIN PLUG	PC04	17090	1
12	NAME PLATE	38818-039	17090	1	45	SEAL CVTY DRAIN PLUG	PC04	17090	1
13	DRIVE SCREW	BM#04-03	17090	6	46 *	SEAL PLATE O-RING	25154-261	---	1
14	MOTOR HOUSING				47	STUD	C0610	17090	6
	-230/1	38311-034	---	1	48	LOCKWASHER	J06	17090	6
	-230/3 & 460/3	38311-033	17070	1	49	HEX NUT	D06	17090	6
15	SHAFT SLEEVE	13878	17090	1	50	STRAINER ASSY	46611-010	24170	1
16 *	IMPELLER ADJ SHIM SET	2Y	17090	1	51	FLAT WASHER	KB08	17090	1
17 *	SEAL SPRING RETAINER	8793	17090	1	52	IMPELLER NUT	22561-165	---	1
18	SEAL RETAINING RING	24124-332	---	1	53 *	IMPELLER KEY	N0302-1/2	17090	1
19	HOISTING BAIL	31926-009	17130	1	54	NYLOCK CAPSCREW	BT0806	17090	3
20	HEX NUT	D08	17090	1		NOT SHOWN:			
21	PIPE CAP	25471-223	---	1		QT. SUB PUMP OIL	9568	---	1
22	HVY PIPE NIPPLE	THA0608	17090	1		CONTROL BOX			
23	STUD	C0806	17090	1		-230/1	47631-137	---	1
24	COUPLING NUT	31811-019	17130	1		-230/3	47631-138	---	1
25	HEX NUT	D08	17090	1		-460/3	47631-139	---	1
26	STUD	C0809	17090	3		MOTOR VOLTAGE TAG			
27	HEX NUT	D08	17090	3		-230/1	38816-098	---	1
28	DISCHARGE FLANGE	38641-006	17070	1		-230/3	38816-094	---	1
29 *	DISCH FLANGE GSKT	38687-045	19370	1		-460/3	38816-093	---	1
30 *	RELIEF VALVE ASSY	46431-646	---	1		IMPELLER PULLER	10285	---	1
31	TERM HSG/CABLE ASSY					CABLE TIE	27111-212	---	1
	-230/1	47367-042	---	1		OPTIONAL:			
	-230/3 & 460/3	47367-043	---	1		* REPAIR GASKET SET	11000AA	---	1
32	STUD	C0513	17090	4		STAGING ADAPTOR			
33	LOCKWASHER	DOES NOT APPLY				-DISCH FLANGE	38641-006	---	1
34	HEX NUT	D05	17090	4		-GASKET	38687-045	---	1
35	CONNECTOR					LIQUID LEVEL DEVICES:			
	-230/1	DOES NOT APPLY				DIAPHRAGM TYPE	GRP48-03 or GRP48-061		
	-230/3	S1718	---	1		FLOAT TYPE	27471-180	---	1
	-460/3	S1718	---	3		120 VOLT CONTROL			
36	HEAT SHRINK TUBE					-230/1	47631-070	---	1
	-230/1	DOES NOT APPLY				-230/3 & 460/3	47631-136	---	1
	-230/3	31411-235	19450	1					
	-460/3	31411-235	19450	3					
37	BRG SPRING WASHER	S1554	---	1					

* INDICATES PARTS RECOMMENDED FOR STOCK

THE GORMAN-RUPP COMPANY • MANSFIELD, OHIO

GORMAN-RUPP OF CANADA LIMITED • ST. THOMAS, ONTARIO, CANADA

Printed in U.S.A.



THE GORMAN-RUPP COMPANY • MANSFIELD, OHIO

GORMAN-RUPP OF CANADA LIMITED • ST. THOMAS, ONTARIO, CANADA Printed in U.S.A.

S/N 861279 Up
 PUMP ISSUE 2

Terminal Housing

If your pump serial number is followed by an "N", your pump is **NOT** a standard production model. Contact the Gorman-Rupp Company to verify part numbers.

ITEM NO.	PART NAME	PART NUMBER	MAT'L CODE	QTY
1	* LOWER TERMINAL PLATE GASKET	38687–525	19370	1
2	HEX NUT	D#10	14990	3
3	HEX NUT	D#10	14990	3
4	ROUND HEAD MACHINE SCREW	X#10–02	14990	1
5	T TYPE LOCKWASHER	AK#10	15991	1
6	INFORMATION PLATE	38816–047	17050	1
7	DRIVE SCREW	BM#04–03	17090	4
8	TERMINAL HOUSING	38381–233	17070	1
9	* CABLE GRIP	DOES NOT APPLY		
10	TERMINAL CAP	38381–626	17070	1
11	* CABLE ASSEMBLY	47351–055	---	1
12	STUD	C0606	17090	2
13	HEX NUT	D06	17090	2
14	* GLAND BUSHING	10758F	19540	1
15	HEAT SHRINK TUBE	31412–053	19530	3
16	* UPPER TERMINAL PLATE GASKET	38687–525	19370	1
17	TERMINAL PLATE	38713–008	23010	1
18	TERMINAL	11181	14100	3
19	ROUND HEAD NYLOK MACHINE SCREW	GA#10–01S	15991	3
20	DYNA–SEAL WASHER	S1590	---	3
21	1 OZ RTV SEALANT	18771–106	---	1

NOT SHOWN:

MOTOR PLATE			
–230/1	DOES NOT APPLY		
–230/3 & 460/3	10436	17050	1
DRIVE SCREW			
–230/1	DOES NOT APPLY		
–230/3 & 460/3	BM#04–03	17090	4

OPTIONAL:

HEAT SHRINK TERMINAL KIT	48315–003	---	1
--------------------------	-----------	-----	---

* INDICATES PARTS RECOMMENDED FOR STOCK

THE GORMAN-RUPP COMPANY • MANSFIELD, OHIO

GORMAN-RUPP OF CANADA LIMITED • ST. THOMAS, ONTARIO, CANADA Printed in U.S.A.

**For U.S. and International Warranty Information,
Please Visit www.grpumps.com/warranty
or call:
U.S.: 419-755-1280
International: +1-419-755-1352**

**For Canadian Warranty Information,
Please Visit www.grcanada.com/warranty
or call:
519-631-2870**