

AC

Use With: OM-04151
MR-04269

PUBLICATION NUMBER PL-04186-04
February 2, 1995; Rev. D 08/12/98
Supersedes: PL-04184-04
PL-04185-04



PUMP MODELS
S3C1 230V 1P
S3C1 230V/460V 3P

MANUAL
PART 2 of 3

PARTS
LIST
WITH
PERFORMANCE CURVE

THE GORMAN-RUPP COMPANY • MANSFIELD, OHIO

GORMAN-RUPP OF CANADA LIMITED • ST. THOMAS, ONTARIO, CANADA Printed in U.S.A.

©Copyright by the Gorman-Rupp Company

PERFORMANCE CURVE – SECTION A

RECORDING MODEL AND SERIAL NUMBERS

Please record the pump model and serial number in the spaces provided below and in the separate Installation/Operation Manual accompanying your pump. Your Gorman-Rupp distributor needs this information when you require parts or service.

Pump Model: _____

Serial Number: _____

WARRANTY INFORMATION

The pump warranty is provided as part of Gorman-Rupp's support program for customers who operate and maintain their equipment as described in this manual and other accompanying literature. Please note that should the equipment be abused or modified to change its performance beyond the original factory specifications, the warranty will become void and any claim will be denied.

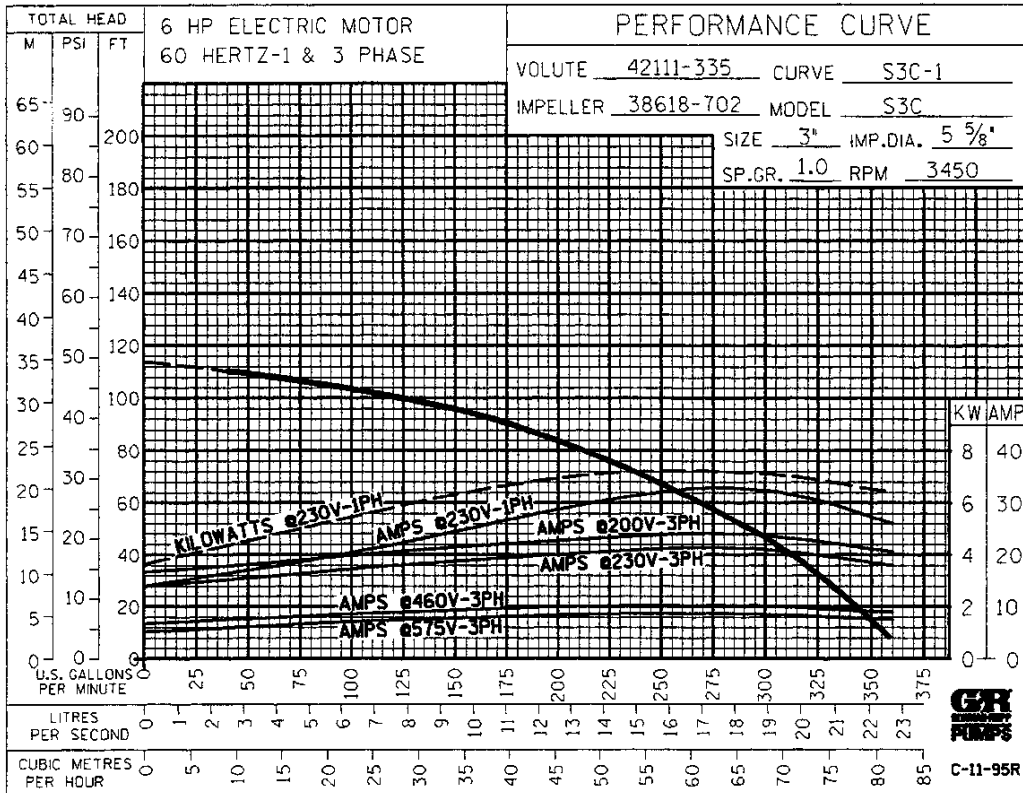
PERFORMANCE CURVES

The performance curves on the following page are based on 70° F (21° C) clear water at sea level. Since pump installations are seldom identical, your performance may be different due to such factors as viscosity, specific gravity, elevation, temperature, and impeller trim.

If your pump serial number is followed by an "N", your pump is **NOT** a standard production model. Contact the Gorman-Rupp Company to verify performance or part numbers.



Pump speed and operating condition points must be within the continuous performance range shown on the curve(s).

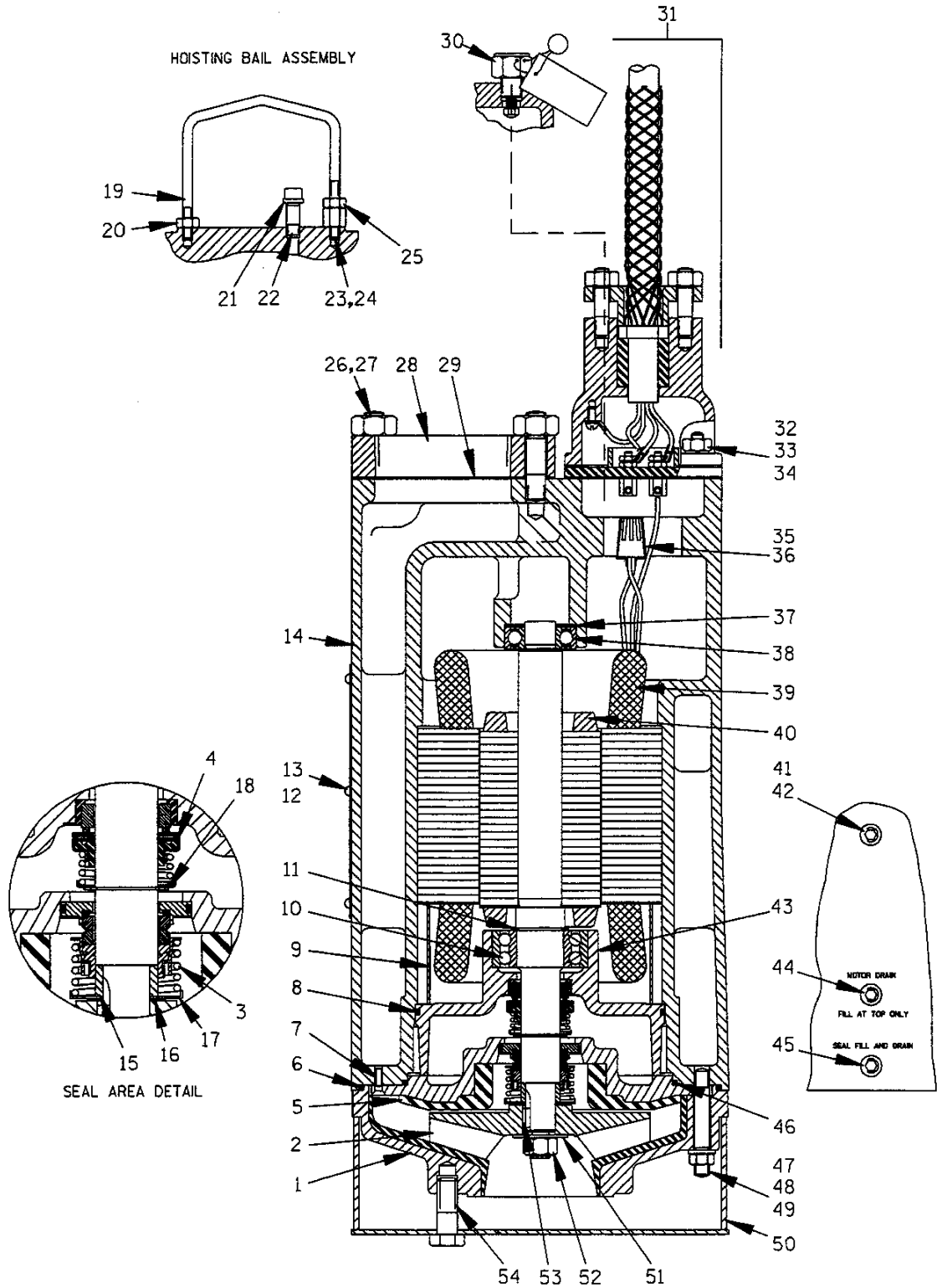


Performance Curve – Model S3C1 – All Voltages

AC

S3C1 230V 1P
S3C1 230V/460V 3P

S/N 861279 Up
PUMP ISSUE 4



THE GORMAN-RUPP COMPANY • MANSFIELD, OHIO

GORMAN-RUPP OF CANADA LIMITED • ST. THOMAS, ONTARIO, CANADA

Printed in U.S.A.

DECEMBER 19, 1986
Rev. D 08/12/98

©Copyright by the Gorman-Rupp Company

1 of 4
Page 150.3 C3

S3C1 230V 1P
S3C1 230V/460V 3P

AC

S/N 861279 Up
PUMP ISSUE 4

If your pump serial number is followed by an "N", your pump is **NOT** a standard production model. Contact the Gorman-Rupp Company to verify part numbers.

ITEM NO.	PART NAME	PART NUMBER	MAT'L CODE	QTY	ITEM NO.	PART NAME	PART NUMBER	MAT'L CODE	QTY
1	SUCTION HEAD ASSY	42111-335	24010	1	40 *	ROTOR & SHAFT ASSY			
2 *	IMPELLER	38618-702	11060	1		-230V 1P	47112-805	---	1
3 *	LOWER SEAL ASSY	25277-345	---	1		-230V 3P & 460V 3P	47112-806	---	1
4 *	UPPER SEAL ASSY	S1832	---	1	41	ALLEN HD SETSCREW	GA0603	15990	1
5	SEAL PLATE ASSY	42111-066	24010	1	42	SOCKET HD PIPE PLUG	PC04	17000	1
6 *	MTR HSG O-RING	25152-270	---	1	43	INTERMEDIATE	38311-803	13040	1
7	FLT HD MACH SCREW	Y#10-03	17000	2	44	MTR CAVITY DRAIN PLUG	PC04	17000	1
8 *	INTERMEDIATE O-RING	25152-258	---	1	45	SEAL CVTY DRAIN PLUG	PC04	17000	1
9	MOTOR BUSHING	31173-017	23010	1	46 *	SEAL PLATE O-RING	S2194	---	1
10 *	LOWER BALL BEARING	23425-007	---	1	47	STUD	C0611	17000	6
11	BEARING SNAP RING	S1831	---	1	48	LOCK WASHER	J06	17000	6
12	NAME PLATE	2813CY	17020	1	49	HEX NUT	D06	17000	6
13	DRIVE SCREW	BM#04-03	17000	6	50	STRAINER ASSY	46611-001	2415V	1
14	MOTOR HOUSING				51	FLAT WASHER	KB08	17000	1
	-230V 1P	38311-013	---	1	52	IMPELLER NUT	22561-145	---	1
	-230V 3P & 460V 3P	38311-012	13040	1	53	IMPELLER KEY	N0302 1/2	17000	1
15	SHAFT SLEEVE	13878	17020	1	54	NYLOCK CAPSCREW	BT0806	15991	3
16 *	IMPELLER ADJ SHIM SET	2Y	17090	1	NOT SHOWN:				
17 *	SEAL SPRING RETAINER	8793	17990	1		CONTROL BOX ASSY			
18	SEAL RETAINING RING	S362	---	1		-230V 1P	47631-137	---	1
19	HOISTING BAIL	31926-009	1503V	1		-230V 3P	47631-138	---	1
20	HEX NUT	D08	15991	1		-460V 3P	47631-139	---	1
21	PIPE CAP	25381-003	---	1		SUB PUMP OIL	9568	---	1
22	HVY PIPE NIPPLE	THA0608	15079	1		IMPELLER PULLER	10285	---	1
23	STUD	C0806	15991	1		CABLE TIE	27111-212	---	1
24	COUPLING NUT	31811-019	15031	1		VOLTAGE TAG			
25	HEX NUT	D08	15991	1		-230V 1P	38816-098	---	1
26	STUD	C0809	15991	3		-230V 3P	38816-094	---	1
27	HEX NUT	D08	15991	3		-460V 3P	38816-093	---	1
28	DISCHARGE FLANGE	38641-006	13040	1		INSTRUCTION TAG	6588AC	---	1
29 *	DISCH FLANGE GSKT	38687-045	20000	1		MOTOR PLATE			
30 *	RELIEF VALVE ASSY	46431-608	---	1		-230V 1P	DOES NOT APPLY		
31	TERM HSG & CAB ASSY	47367-041	---	1		-230V 3P & 460V 3P	10436	17000	1
32	STUD	C0506	15991	4		DRIVE SCREW			
33	LOCK WASHER	J05	15991	4		-230V 1P	DOES NOT APPLY		
34	HEX NUT	D05	15991	4		-230V 3P & 460V 3P	BM#04-03	17000	4
35	CONNECTOR				OPTIONAL:				
	-230V 1P	DOES NOT APPLY				REPAIR GSKT SET	11000S	---	1
	-230V 3P	S1718	---	1		STAGING ADAPTOR KIT	48272-003	---	1
	-460V 3P	S1718	---	3		SST STRAINER	46611-006	24170	1
36	HEAT SHRINK TUBE					CD4MCU IMPELLER	38618-702	17180	1
	-230V 1P	DOES NOT APPLY				316 SST IMPELLER	38618-702	17070	1
	-230V 3P	31411-235	19450	1	LIQUID LEVEL DEVICES:				
	-460V 3P	31411-235	19450	3		DIAPHRAGM TYPE	GRP48-03 or GRP48-061		
37	BRG SPRING WASHER	S1554	---	1		FLOAT TYPE	27471-180	---	1
38 *	UPPER BALL BEARING	S1044	---	1		120 VOLT CONTROL			
39	STATOR					-230V 1P	47631-070	---	1
	-230V 1P	47113-860	---	1		-230V 3P & 460V 3P	47631-136	---	1
	-230V 3P & 460V 3P	47113-861	---	1					

* INDICATES PARTS RECOMMENDED FOR STOCK

THE GORMAN-RUPP COMPANY • MANSFIELD, OHIO

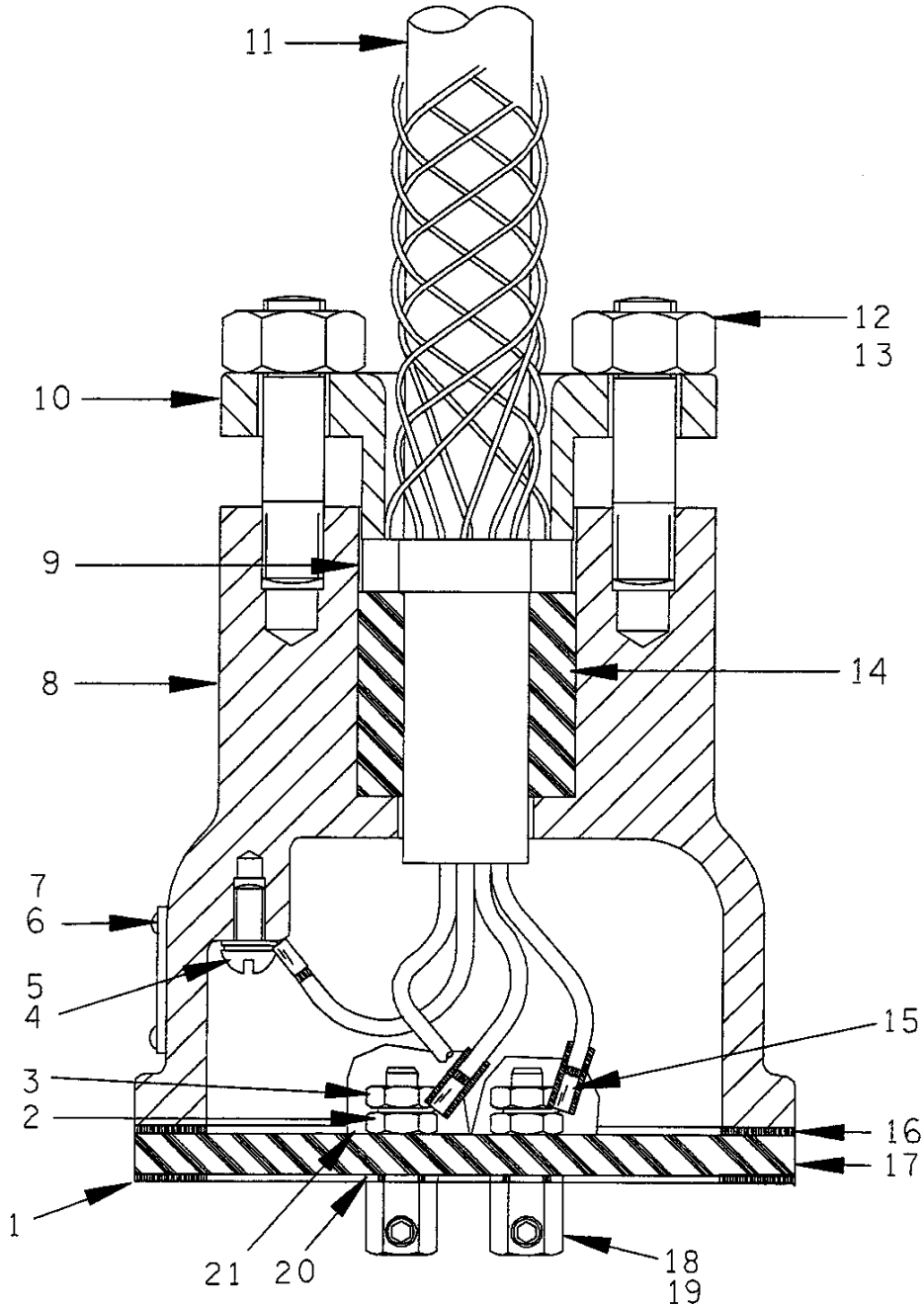
GORMAN-RUPP OF CANADA LIMITED • ST. THOMAS, ONTARIO, CANADA

Printed in U.S.A.

AC

S3C1 230V 1P
S3C1 230V/460V 3P

S/N 861279 Up
PUMP ISSUE 4



THE GORMAN-RUPP COMPANY • MANSFIELD, OHIO

GORMAN-RUPP OF CANADA LIMITED • ST. THOMAS, ONTARIO, CANADA Printed in U.S.A.

DECEMBER 19, 1986
Rev. D 08/12/98

© Copyright by the Gorman-Rupp Company

3 of 4
Page 150.3 C3

S3C1 230V 1P
S3C1 230V/460V 3P

AC

S/N 861279 Up
 PUMP ISSUE 4

Terminal Housing

If your pump serial number is followed by an "N", your pump is **NOT** a standard production model. Contact the Gorman-Rupp Company to verify part numbers.

ITEM NO.		PART NAME	PART NUMBER	MAT'L CODE	QTY
1	*	LOWER TERMINAL PLATE GASKET	10321G	20000	1
2		HEX NUT	D#10	14990	3
3		HEX NUT	D#10	14990	3
4		ROUND HEAD MACHINE SCREW	X#10-01 1/2	14990	1
5		T TYPE LOCK WASHER	AK#10	15991	1
6		INFORMATION PLATE	38816-047	17990	1
7		DRIVE SCREW	BM#04-03	17000	4
8		TERMINAL HOUSING	10757	13040	1
9	*	CABLE GRIP	11227B	---	1
10		TERMINAL CAP	10756B	13040	1
11	*	CABLE ASSEMBLY	9166H	---	1
12		STUD	C0606	15991	2
13		HEX NUT	D06	15991	2
14	*	GLAND BUSHING	10758F	19100	1
15		HEAT SHRINK TUBE	31411-203	19530	3
16	*	UPPER TERMINAL PLATE GASKET	10321G	20000	1
17		TERMINAL PLATE	10320A	23010	1
18		TERMINAL	11181	14100	3
19		ROUND HEAD NYLOK MACHINE SCREW	GA#10-01S	15991	3
20		DYNA-SEAL WASHER	S1590	---	3
21		1 OZ RTV SEALANT	18771-106	---	1

OPTIONAL:

		HEAT SHRINK TERMINAL KIT	48315-008	---	1
--	--	--------------------------	-----------	-----	---

* INDICATES PARTS RECOMMENDED FOR STOCK

THE GORMAN-RUPP COMPANY • MANSFIELD, OHIO

GORMAN-RUPP OF CANADA LIMITED • ST. THOMAS, ONTARIO, CANADA

Printed in U.S.A.

**For U.S. and International Warranty Information,
Please Visit www.grpumps.com/warranty**

or call:

U.S.: 419-755-1280

International: +1-419-755-1352

**For Canadian Warranty Information,
Please Visit www.grcanada.com/warranty**

or call:

519-631-2870

THE GORMAN-RUPP COMPANY • MANSFIELD, OHIO

GORMAN-RUPP OF CANADA LIMITED • ST. THOMAS, ONTARIO, CANADA