

AC

Use With: OM-04151
MR-04269

PUBLICATION NUMBER PL-04188-03
Pump Issue 3
February 2, 1995
Supersedes: OM-01273-03



PUMP MODEL S3C18 230V 1P

MANUAL
PART 2 of 3

PARTS
LIST

WITH
PERFORMANCE CURVE

THE GORMAN-RUPP COMPANY • MANSFIELD, OHIO

GORMAN-RUPP OF CANADA LIMITED • ST. THOMAS, ONTARIO, CANADA Printed in U.S.A.

©Copyright by the Gorman-Rupp Company

PERFORMANCE CURVE – SECTION A

RECORDING MODEL AND SERIAL NUMBERS

Please record the pump model and serial number in the spaces provided below and in the separate Installation/Operation Manual accompanying your pump. Your Gorman-Rupp distributor needs this information when you require parts or service.

Pump Model: _____

Serial Number: _____

WARRANTY INFORMATION

The pump warranty is provided as part of Gorman-Rupp's support program for customers who operate and maintain their equipment as described in this manual and other accompanying literature. Please note that should the equipment be abused or modified to change its performance beyond the original factory specifications, the warranty will become void and any claim will be denied.

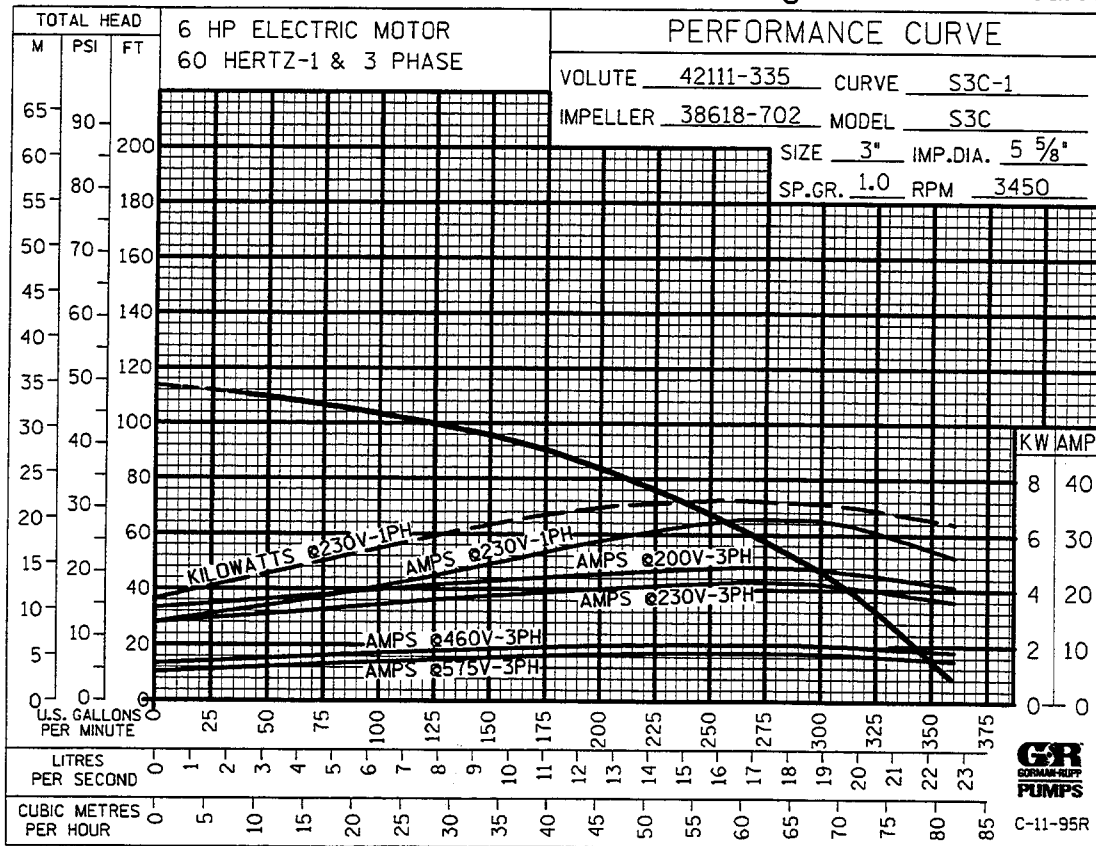
PERFORMANCE CURVES

The performance curves on the following page are based on 70° F (21° C) clear water at sea level. Since pump installations are seldom identical, your performance may be different due to such factors as viscosity, specific gravity, elevation, temperature, and impeller trim.

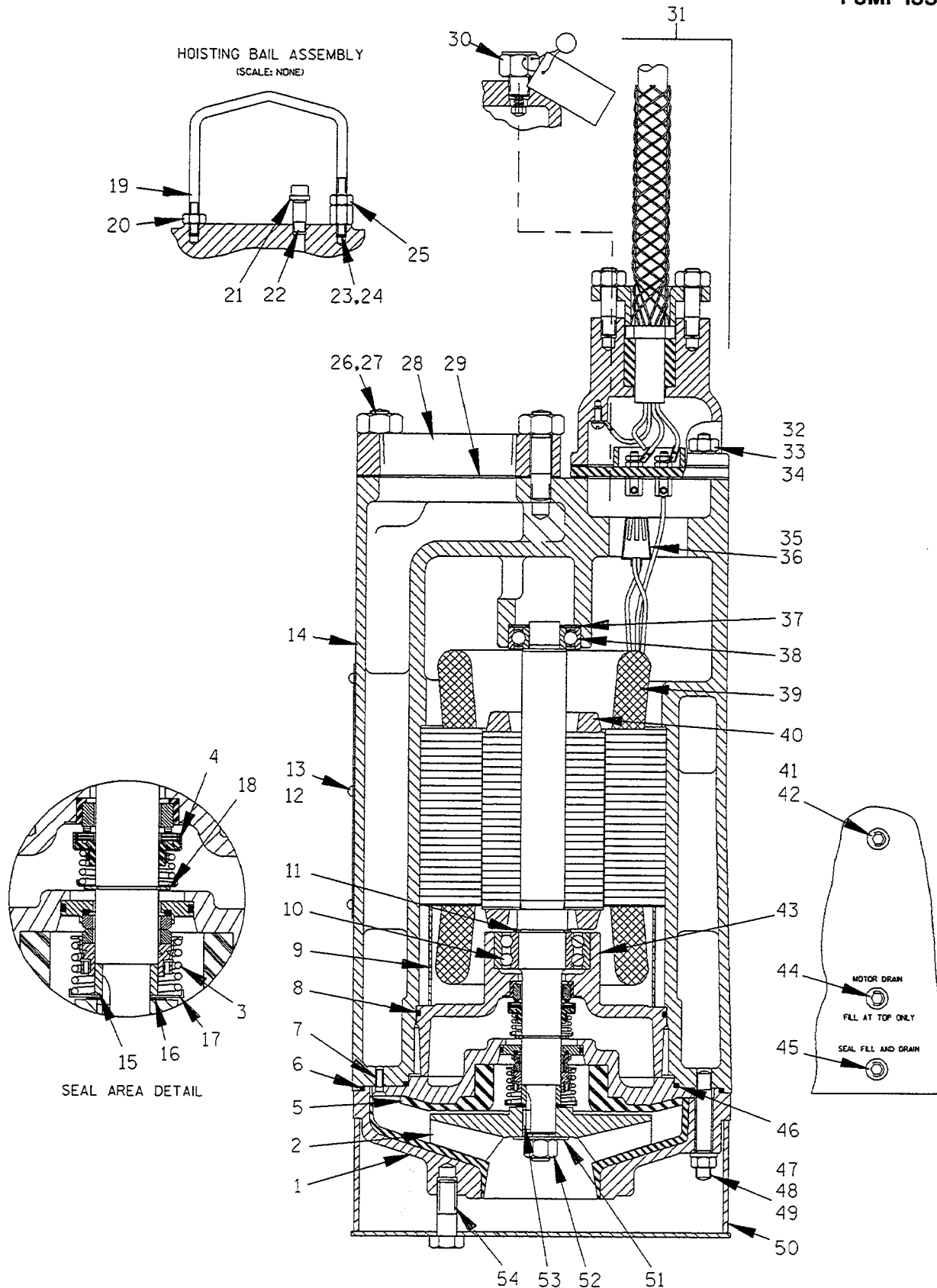
If your pump serial number is followed by an "N", your pump is **NOT** a standard production model. Contact the Gorman-Rupp Company to verify performance or part numbers.



Pump speed and operating condition points must be within the continuous performance range shown on the curve(s).



Performance Curve – Model S3C18 230V 1P



THE GORMAN-RUPP COMPANY • MANSFIELD, OHIO

GORMAN-RUPP OF CANADA LIMITED • ST. THOMAS, ONTARIO, CANADA Printed in U.S.A.

©Copyright by the Gorman-Rupp Company

S/N 861279 Up
PUMP ISSUE 3

If your pump serial number is followed by an "N", your pump is **NOT** a standard production model. Contact the Gorman-Rupp Company to verify part numbers.

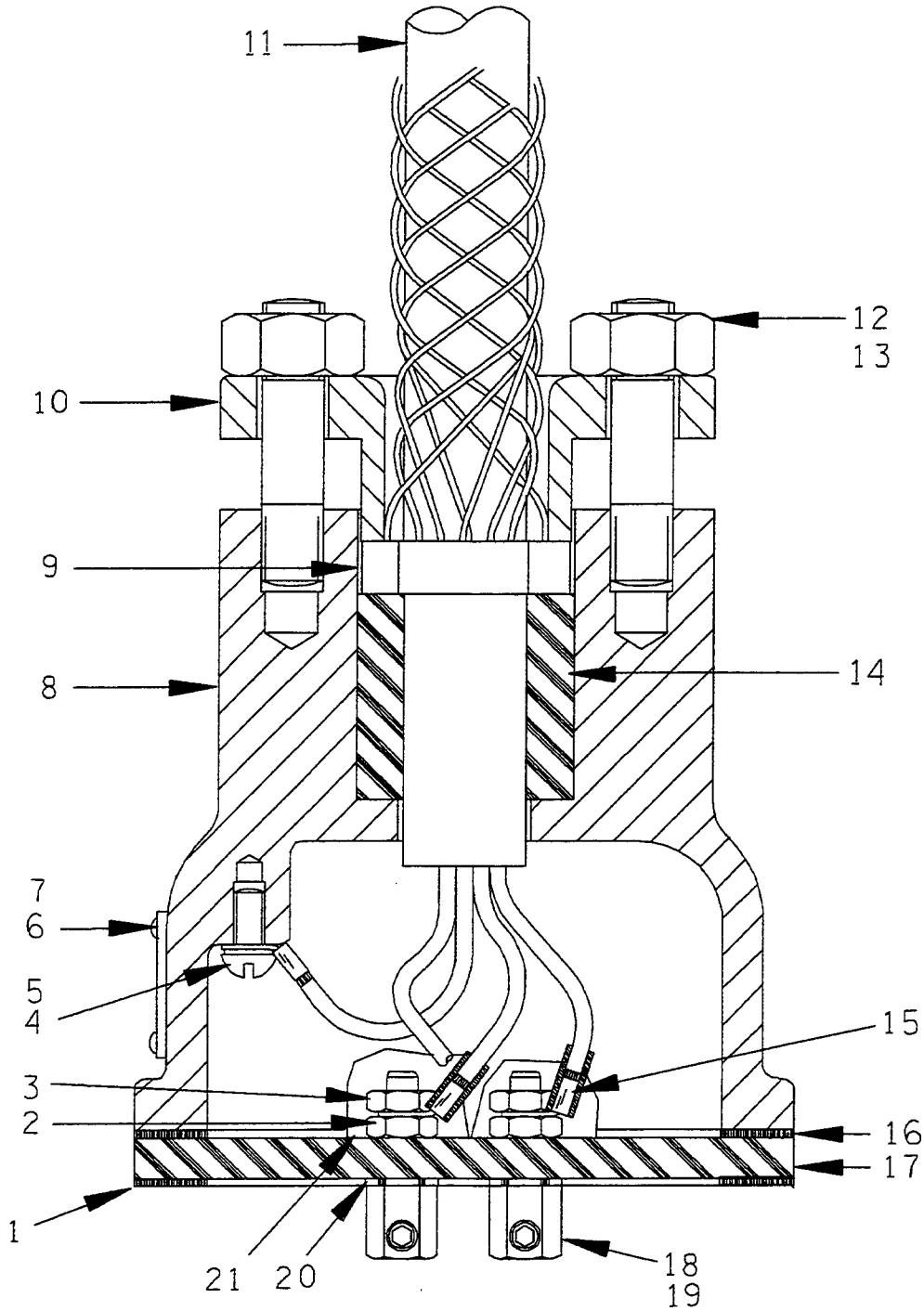
ITEM NO.	PART NAME	PART NUMBER	MAT'L CODE	QTY	ITEM NO.	PART NAME	PART NUMBER	MAT'L CODE	QTY
1	SUCTION HEAD ASSY	42111-335	24010	1	37	BRG SPRING WASHER	S1554	----	1
2 *	IMPELLER	38618-702	1718H	1	38 *	UPPER BALL BEARING	S1044	----	1
3 *	LOWER SEAL ASSY	25277-345	----	1	39	STATOR	47113-860	----	1
4 *	UPPER SEAL ASSY	S1832	----	1	40 *	ROTOR & SHAFT ASSY	47112-805	----	1
5	SEAL PLATE ASSY	42111-066	24010	1	41	ALLEN HD SETSCREW	GA0603	15990	1
6 *	MTR HSG O-RING	25152-270	----	1	42	SOCKET HD PIPE PLUG	PC04	17000	1
7	FLT HD MACHINE SCREW	Y#10-03	17090	2	43	INTERMEDIATE	38311-803	13040	1
8 *	INTERMEDIATE O-RING	25152-258	----	1	44	MTR CAVITY DRAIN PLUG	PC04	17000	1
9	MOTOR BUSHING	31173-017	23010	1	45	SEAL CVTY DRAIN PLUG	PC04	17000	1
10 *	LOWER BALL BEARING	23425-007	----	1	46 *	SEAL PLATE O-RING	S2194	----	1
11	BEARING SNAP RING	S1831	----	1	47	STUD	C0611	17000	6
12	NAME PLATE	2613CY	17020	1	48	LOCK WASHER	J06	17000	6
13	DRIVE SCREW	BM#04-03	17000	6	49	HEX NUT	D06	17000	6
14	MOTOR HOUSING	38311-013	13040	1	50	STRAINER ASSY	46611-006	24170	1
15	SHAFT SLEEVE	13878	17020	1	51	FLAT WASHER	KB08	17000	1
16 *	IMPELLER ADJ SHIM SET	2Y	17090	1	52	IMPELLER NUT	22561-145	----	1
17 *	SEAL SPRING RETAINER	8793	17990	1	53	IMPELLER KEY	N0302 1/2	17000	1
18	SEAL RETAINING RING	S362	----	1	54	NYLOCK CAPSCREW	BT0806	17000	3
19	HOISTING BAIL	31926-009	1503V	1	NOT SHOWN:				
20	HEX NUT	D08	17000	1		CONTROL BOX ASSY	47631-137	----	1
21	PIPE CAP	25471-223	----	1		SUB PUMP OIL	9568	----	1
22	HVY PIPE NIPPLE	THA0608	15079	1		IMPELLER PULLER	10285	----	1
23	STUD	C0806	17000	1		CABLE TIE	27111-212	----	1
24	COUPLING NUT	31811-019	17000	1		VOLTAGE TAG	38816-098	----	1
25	HEX NUT	D08	17000	1		INSTRUCTION TAG	6588AC	----	1
26	STUD	C0809	17000	3	OPTIONAL:				
27	HEX NUT	D08	17000	3		REPAIR GSKT SET	11000S	----	1
28	DISCHARGE FLANGE	38641-006	13040	1		DISCHARGE FLANGE	38641-006	----	1
29 *	DISCH FLANGE GSKT	38687-045	20000	1		DISCH FLANGE GSKT	38687-045	----	1
30 *	RELIEF VALVE ASSY	46431-608	----	1	LIQUID LEVEL DEVICES:				
31	TERM HSG & CAB ASSY	47367-082	----	1		DIAPHRAGM TYPE	GRP48-03 or GRP48-06		1
32	STUD	C0506	17000	4		FLOAT TYPE	27471-180	----	1
33	LOCK WASHER	J05	17000	4		120 VOLT CONTROL	47631-070	----	1
34	HEX NUT	D05	17000	4					
35	CONNECTOR	DOES NOT APPLY							
36	HEAT SHRINK TUBE	DOES NOT APPLY							

* INDICATES PARTS RECOMMENDED FOR STOCK

Above Serial Numbers Do Not Apply To Pumps Made In Canada.

CANADIAN SERIAL NO. AND UP

THE GORMAN-RUPP COMPANY • MANSFIELD, OHIO



THE GORMAN-RUPP COMPANY • MANSFIELD, OHIO

GORMAN-RUPP OF CANADA LIMITED • ST. THOMAS, ONTARIO, CANADA Printed in U.S.A.

©Copyright by the Gorman-Rupp Company

S/N 861279 Up
PUMP ISSUE 3

Terminal Housing

If your pump serial number is followed by an "N", your pump is **NOT** a standard production model. Contact the Gorman-Rupp Company to verify part numbers.

ITEM NO.		PART NAME	PART NUMBER	MAT'L CODE	QTY
1	*	LOWER TERMINAL PLATE GASKET	10321G	20000	1
2		HEX NUT	D#10	14990	3
3		HEX NUT	D#10	14990	3
4		ROUND HEAD MACHINE SCREW	X#10-01 1/2	14990	1
5		T TYPE LOCK WASHER	AK#10	15991	1
6		INFORMATION PLATE	38816-047	17990	1
7		DRIVE SCREW	BM#04-03	17000	4
8		TERMINAL HOUSING	10757	13040	1
9	*	CABLE GRIP	11227B	---	1
10		TERMINAL CAP	10756B	13040	1
11	*	CABLE ASSEMBLY	9166H	---	1
12		STUD	C0606	17000	2
13		HEX NUT	D06	17000	2
14	*	GLAND BUSHING	10758F	19100	1
15		HEAT SHRINK TUBE	31411-203	19530	3
16	*	UPPER TERMINAL PLATE GASKET	10321G	20000	1
17		TERMINAL PLATE	10320A	23010	1
18		TERMINAL	11181	14100	3
19		ROUND HEAD NYLOK MACHINE SCREW	GA#10-01S	15991	3
20		DYNA-SEAL WASHER	S1590	---	3
21		1 OZ. RTV SEALANT	18771-106	---	1

OPTIONAL:

		HEAT SHRINK TERMINAL KIT	48315-008	---	1
--	--	--------------------------	-----------	-----	---

* INDICATES PARTS RECOMMENDED FOR STOCK

THE GORMAN-RUPP COMPANY • MANSFIELD, OHIO

**For U.S. and International Warranty Information,
Please Visit www.grpumps.com/warranty
or call:
U.S.: 419-755-1280
International: +1-419-755-1352**

**For Canadian Warranty Information,
Please Visit www.grcanada.com/warranty
or call:
519-631-2870**