

AC

Use With: OM--04151  
MR--04315

PUBLICATION NUMBER PL--04219--01

July 31, 1995

Supersedes: OM--03472--01



**PUMP MODEL**  
**S6E1 – E60 460/575/3**

**MANUAL**  
**PART 2 of 3**

**PARTS**  
**LIST**  
**WITH**  
**PERFORMANCE CURVE**

**THE GORMAN-RUPP COMPANY • MANSFIELD, OHIO**

GORMAN-RUPP OF CANADA LIMITED • ST. THOMAS, ONTARIO, CANADA Printed in U.S.A.

©Copyright by the Gorman-Rupp Company

## PERFORMANCE CURVE – SECTION A

### RECORDING MODEL AND SERIAL NUMBERS

Please record the pump model and serial number in the spaces provided below and in the separate Installation/Operation Manual accompanying your pump. Your Gorman-Rupp distributor needs this information when you require parts or service.

Pump Model: \_\_\_\_\_

Serial Number: \_\_\_\_\_

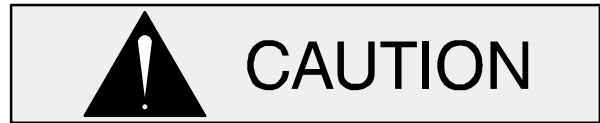
### WARRANTY INFORMATION

The pump warranty is provided as part of Gorman-Rupp's support program for customers who operate and maintain their equipment as described in this manual and other accompanying literature. Please note that should the equipment be abused or modified to change its performance beyond the original factory specifications, the warranty will become void and any claim will be denied.

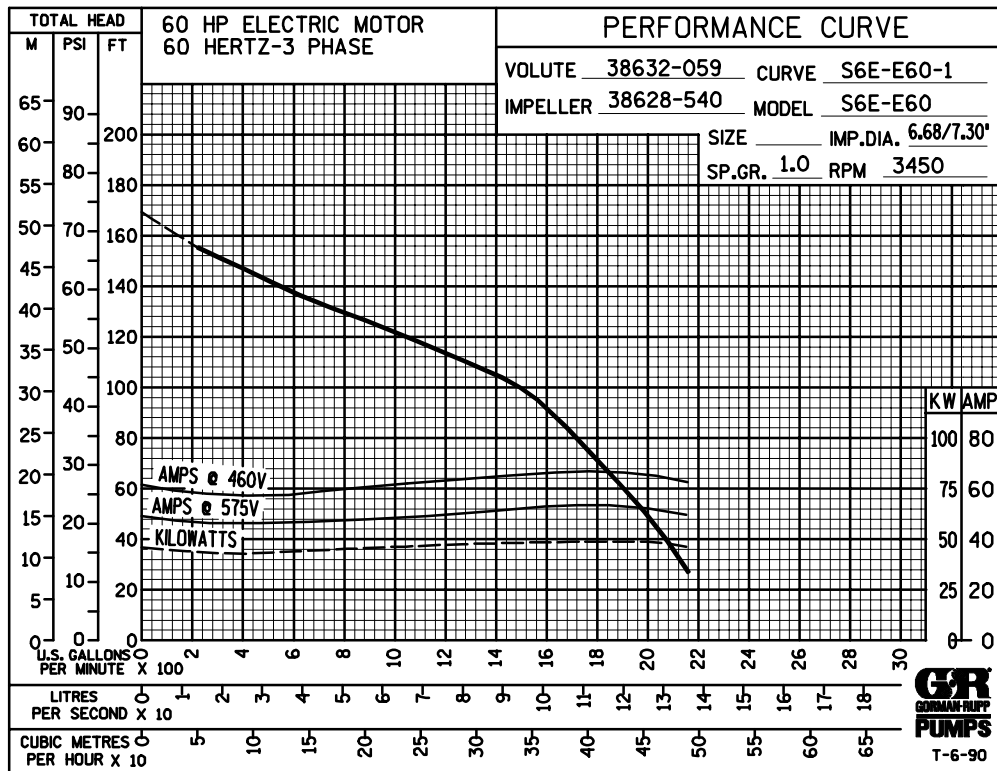
### PERFORMANCE CURVES

The performance curves on the following page are based on 70° F (21° C) clear water at sea level. Since pump installations are seldom identical, your performance may be different due to such factors as viscosity, specific gravity, elevation, temperature, and impeller trim.

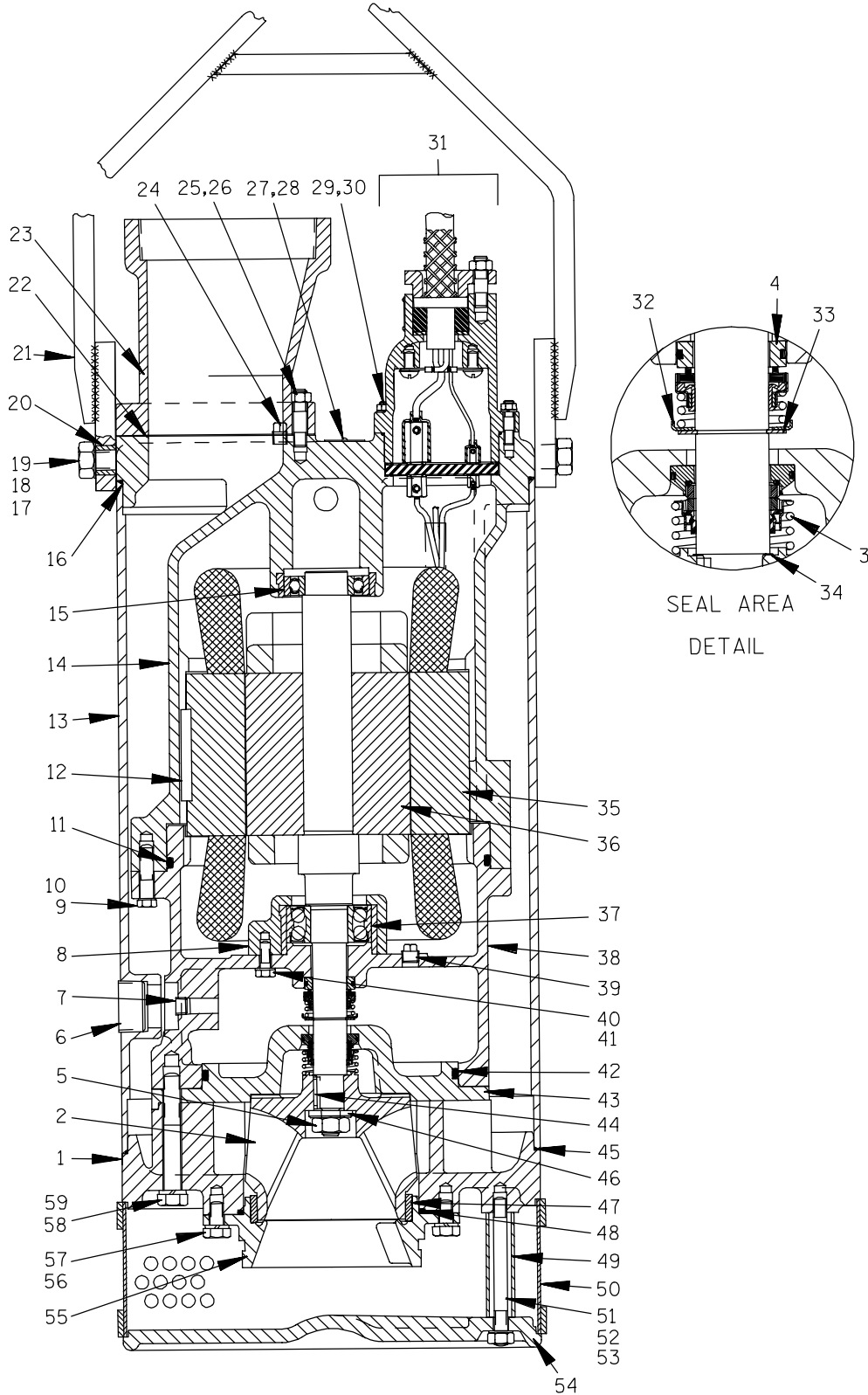
If your pump serial number is followed by an "N", your pump is **NOT** a standard production model. Contact the Gorman-Rupp Company to verify performance or part numbers.



Pump speed and operating condition points must be within the continuous performance range shown on the curve(s).



Performance Curve – Model S6E1–E60 460/575/3



**THE GORMAN--RUPP COMPANY • MANSFIELD, OHIO**

GORMAN--RUPP OF CANADA LIMITED • ST. THOMAS, ONTARIO, CANADA Printed in U.S.A.

©Copyright by the Gorman--Rupp Company

# S6E1 -- E60 460/575/3

AC

S/N 1012833 UP

PUMP ISSUE 1

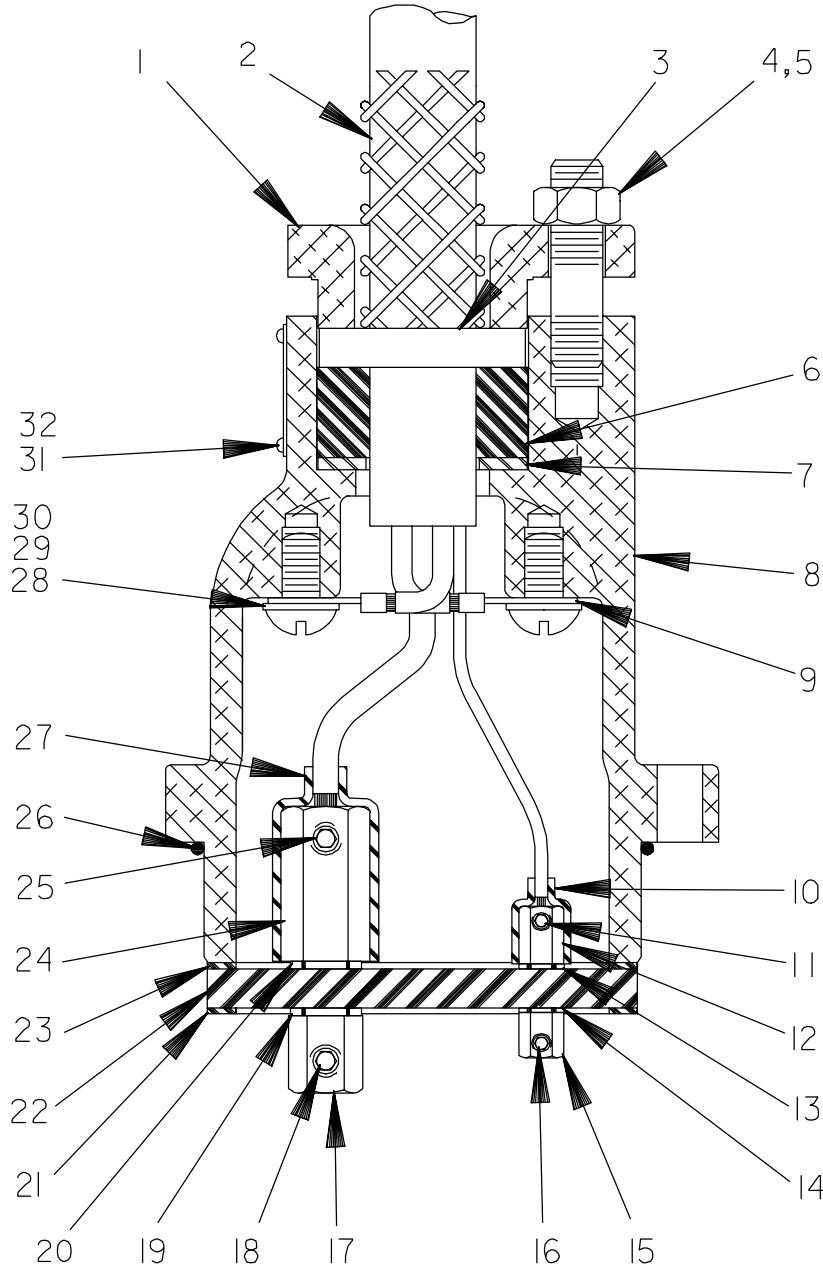
If your pump serial number is followed by an "N", your pump is NOT a standard production model. Contact the Gorman-Rupp Company to verify part numbers.

ITEM NO.	PART NAME	PART NUMBER	MAT'L CODE	QTY	ITEM NO.	PART NAME	PART NUMBER	MAT'L CODE	QTY
1	DIFFUSER	38632-059	1102H	1	39	PIPE PLUG	P06	15079	1
2 *	IMPELLER	38628-540	1102H	1	40	HEX HD CAPSCREW	B0605	15991	4
3 *	LOWER SEAL ASSY	46512-056	---	1	41	DYNA SEAL WASHER	S1586	---	4
4 *	UPPER SEAL ASSY	25271-903	---	1	42 *	SEAL PLATE O-RING	S1990	---	1
5 *	IMPELLER NUT	AT14S	17000	1	43	SEAL PLATE	38272-526	1102H	1
6	SOC HD PIPE PLUG	PC24	17000	1	44 *	IMPELLER KEY	N0405	17000	1
7	SOC HD PIPE PLUG	PC06	17000	1	45 *	MTR HOUSING O-RING	25152-282	---	1
8	BEARING CAP	38322-421	13040	1	46 *	IMPELLER WASHER	31131-026	17000	1
9	HEX HD CAPSCREW	B1008	17000	6	47 *	WEAR RING	38691-325	14000	1
10	LOCKWASHER	J10	17000	6	48	DIFFUSER O-RING	25152-367	---	1
11 *	LWR MTR HSG O-RING	S1676	---	1	49	STRAINER SUPPORT	31412-034	15079	6
12 *	STATOR KEY	N0812	17000	1	50	STRAINER	46611-008	2415V	1
13	MOTOR HOUSING	38311-809	13000	1	51	STUD	C0834	15991	6
14	UPPER MOTOR HSG	38311-316	13000	1	52	LOCKWASHER	J08	15991	6
15 *	UPPER BALL BEARING	23282-010	---	1	53	HEX NUT	D08	15991	6
16 *	MTR HOUSING O-RING	25152-282	---	1	54	BASE PLATE	38352-306	13080	1
17	HEX HD CAPSCREW	B1208	15991	2	55	SUCTION HEAD	38247-405	10000	1
18	LOCKWASHER	J12	15991	2	56	HEX HD CAPSCREW	B0804	15991	5
19	FLAT WASHER	K12	15991	2	57	LOCKWASHER	J08	15991	5
20	BUSHING	10045	15071	2	58	HEX HD CAPSCREW	B1020	17000	6
21	HOIST BAIL ASSY	44713-026	2415V	1	59	LOCKWASHER	J10	17000	6
22 *	DISCH FLANGE GASKET	38687-049	20000	1	NOT SHOWN:				
23	DISCHARGE FLANGE	38642-207	10010	1	CONTROL BOX				
24	PIPE PLUG	P04	17000	1	-460V				
25	STUD	C0809	15991	6	27515-525 --- 1				
26	HEX NUT	D08	15991	6	-575V				
27	NAME PLATE	2613GH	17020	1	27515-535 --- 1				
28	DRIVE SCREW	BM#04-03	17000	2	IMPELLER PULLER				
29	STUD	C0607	15991	4	48711-018 --- 1				
30	DEFORM LOCKNUT	DD06	15991	4	5" HEAT-SHRINK TUBE				
31	TERMINAL HOUSING AND CABLE ASSY	47367-079	---	1	18763-249 --- 1				
32 *	SPRING HOLDER	25273-273	---	1	INSTRUCTION TAG				
33	RETAINING RING	S245	---	1	38817-073 --- 1				
34 *	IMP ADJ SHIM SET	37J	17090	1	HEATER PACK				
35	STATOR ASSY				-460V				
	-460V	47113-047	---	1	27521-211 --- 1				
	-575V	47113-048	---	1	-575V				
36	ROTOR & SHAFT ASSY	47112-047	---	1	27521-210 --- 1				
37 *	LOWER BALL BEARING	23425-462	---	1	CABLE TIE				
38	LOWER MOTOR HSG	38311-306	13040	1	27111-207 --- 1				
					OPTIONAL:				
					* REPAIR GASKET SET				
					48211-063 --- 1				
					LIQUID LEVEL DEVICES:				
					DIAPHRAGM TYPE				
					GRP48-03 or GRP48-061				
					FLOAT TYPE				
					27471-180 --- 1				
					120V LIQ LVL CONTROL				
					27521-321 --- 1				

\* INDICATES PARTS RECOMMENDED FOR STOCK

## THE GORMAN--RUPP COMPANY • MANSFIELD, OHIO

GORMAN-RUPP OF CANADA LIMITED • ST. THOMAS, ONTARIO, CANADA Printed in U.S.A.



**THE GORMAN--RUPP COMPANY • MANSFIELD, OHIO**

GORMAN--RUPP OF CANADA LIMITED • ST. THOMAS, ONTARIO, CANADA Printed in U.S.A.

©Copyright by the Gorman--Rupp Company

S/N 1012833 UP

PUMP ISSUE 1

## Terminal Housing And Cable Assembly

If your pump serial number is followed by an "N", your pump is **NOT** a standard production model. Contact the Gorman-Rupp Company to verify part numbers.

ITEM NO.	PART NAME	PART NUMBER	MAT'L CODE	QTY
1	TERMINAL GLAND	38381-614	13040	1
2	* CABLE - 50 FT	47325-006	-----	1
3	* CABLE GRIP	11227K	-----	1
4	STUD	C0808	15991	2
5	HEX NUT	D08	15991	2
6	GLAND BUSHING	31143-067	19100	1
7	TERMINAL WASHER	31133-122	15991	1
8	TERMINAL HOUSING	38381-237	13000	1
9	TERMINAL	27214-035	-----	1
10	HEAT SHRINK TUBE	31412-056	19530	2
11	ALLEN HEAD SETSCREW	GA#10-01S	15991	2
12	TERMINAL COLLAR	31811-057	14100	2
13	* DYNA SEAL WASHER	S1590	-----	2
14	* DYNA SEAL WASHER	S1590	-----	2
15	TERMINAL POST	11181	14100	2
16	ALLEN HEAD SETSCREW	GA#10-01S	15991	2
17	TERMINAL POST	38724-009	14100	3
18	ALLEN HEAD SETSCREW	GA0501 -1/2	14990	3
19	* DYNA SEAL WASHER	S1586	-----	3
20	* DYNA SEAL WASHER	S1586	-----	3
21	* TERMINAL PLATE GSKT	38687-529	20000	1
22	* TERMINAL PLATE	38711-001	23010	1
23	* TERMINAL PLATE GSKT	38687-529	20000	1
24	TERMINAL COLLAR	10144	14100	3
25	ALLEN HEAD SETSCREW	GA0501- 1/2	14990	3
26	* O-RING	25152-155	-----	1
27	HEAT-SHRINK TUBE	31413-014	19530	3
28	TERMINAL	S1550	-----	1
29	RD HD MACHINE SCREW	X0603	14990	2
30	T TYPE LOCKWASHER	AK06	15991	2
31	DRIVE SCREW	BM#04-03	17000	4
32	INFORMATION PLATE	38816-145	17050	1

NOT SHOWN:

RTV SEALANT	18771-106	-----	2
-------------	-----------	-------	---

\* INDICATES PARTS RECOMMENDED FOR STOCK

## THE GORMAN-- RUPP COMPANY • MANSFIELD, OHIO

GORMAN-RUPP OF CANADA LIMITED • ST. THOMAS, ONTARIO, CANADA Printed in U.S.A.

**For U.S. and International Warranty Information,  
Please Visit [www.grpumps.com/warranty](http://www.grpumps.com/warranty)  
or call:  
U.S.: 419-755-1280  
International: +1-419-755-1352**

**For Canadian Warranty Information,  
Please Visit [www.grcanada.com/warranty](http://www.grcanada.com/warranty)  
or call:  
519-631-2870**