

AC

Use With: OM--04151  
MR--04280

PUBLICATION NUMBER PL--04258--02

June 14, 1995 Rev. D 02/18/98

Supersedes: PL--04285--02

PL--04259--02



**PUMP MODELS**

**S2B18 230V 3P**

**S2B18 460V 3P**

**S2B18 575V 3P**

**MANUAL  
PART 2 of 3**

**PARTS  
LIST**

**WITH  
PERFORMANCE CURVE**

**THE GORMAN-RUPP COMPANY • MANSFIELD, OHIO**

GORMAN-RUPP OF CANADA LIMITED • ST. THOMAS, ONTARIO, CANADA Printed in U.S.A.

©Copyright by the Gorman-Rupp Company

## PERFORMANCE CURVE – SECTION A

### RECORDING MODEL AND SERIAL NUMBERS

Please record the pump model and serial number in the spaces provided below and in the separate [Installation/Operation Manual](#) accompanying your pump. Your Gorman-Rupp distributor needs this information when you require parts or service.

Pump Model: \_\_\_\_\_

Serial Number: \_\_\_\_\_

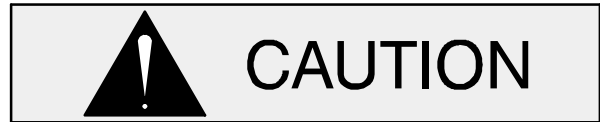
### WARRANTY INFORMATION

The pump warranty is provided as part of Gorman-Rupp's support program for customers who operate and maintain their equipment as described in this manual and other accompanying literature. Please note that should the equipment be abused or modified to change its performance beyond the original factory specifications, the warranty will become void and any claim will be denied.

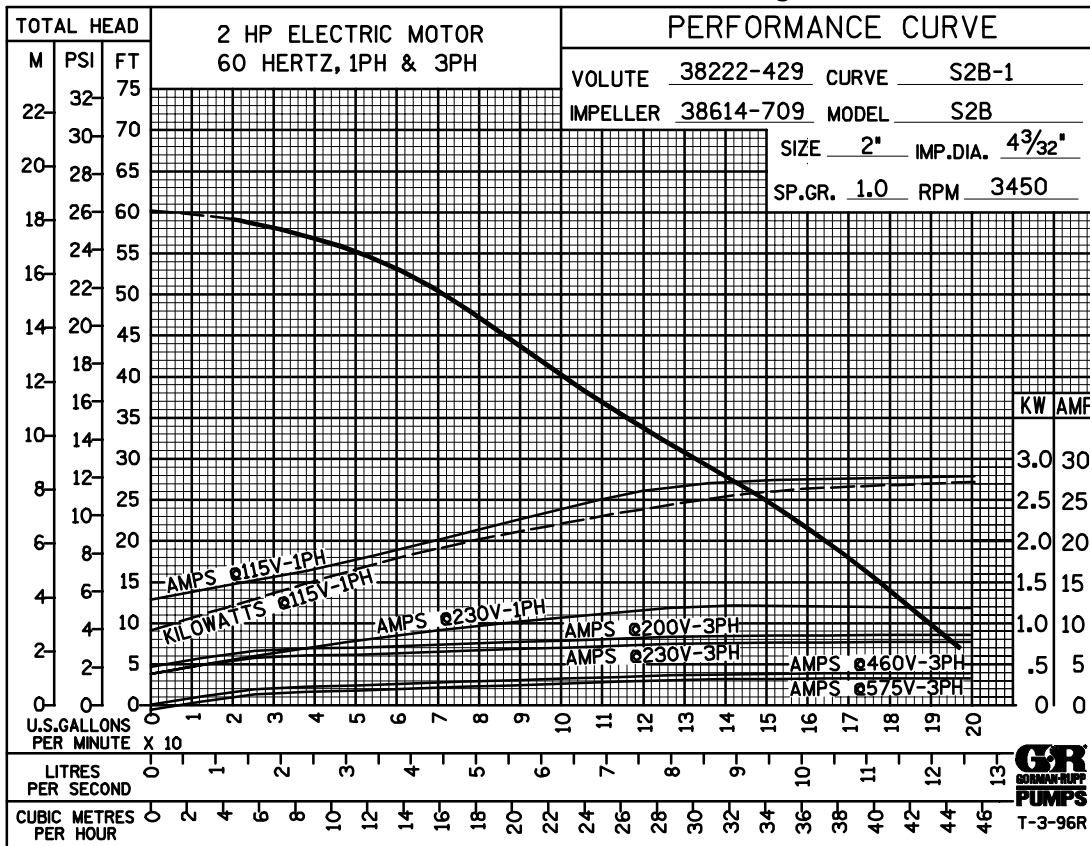
### PERFORMANCE CURVES

The performance curves on the following page are based on 70° F (21° C) clear water at sea level. Since pump installations are seldom identical, your performance may be different due to such factors as viscosity, specific gravity, elevation, temperature, and impeller trim.

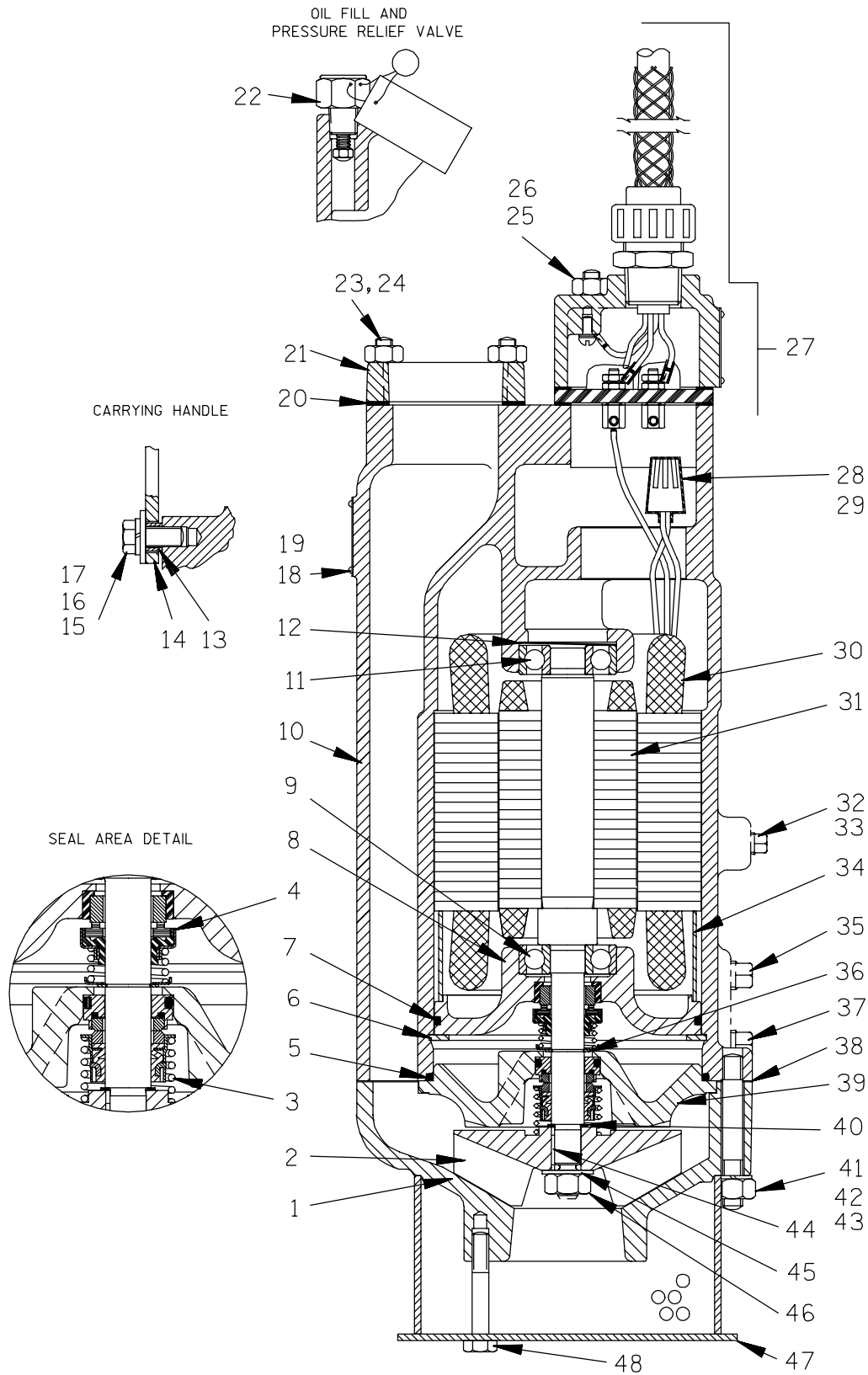
If your pump serial number is followed by an "N", your pump is **NOT** a standard production model. Contact the Gorman-Rupp Company to verify performance or part numbers.



Pump speed and operating condition points must be within the continuous performance range shown on the curve(s).



Performance Curve – Models S2B18 230V/460V/575V 3P



**THE GORMAN-RUPP COMPANY • MANSFIELD, OHIO**

GORMAN-RUPP OF CANADA LIMITED • ST. THOMAS, ONTARIO, CANADA

Printed in U.S.A.

S/N 838616 Up  
PUMP ISSUE 2

If your pump serial number is followed by an "N", your pump is **NOT** a standard production model. Contact the Gorman-Rupp Company to verify part numbers.

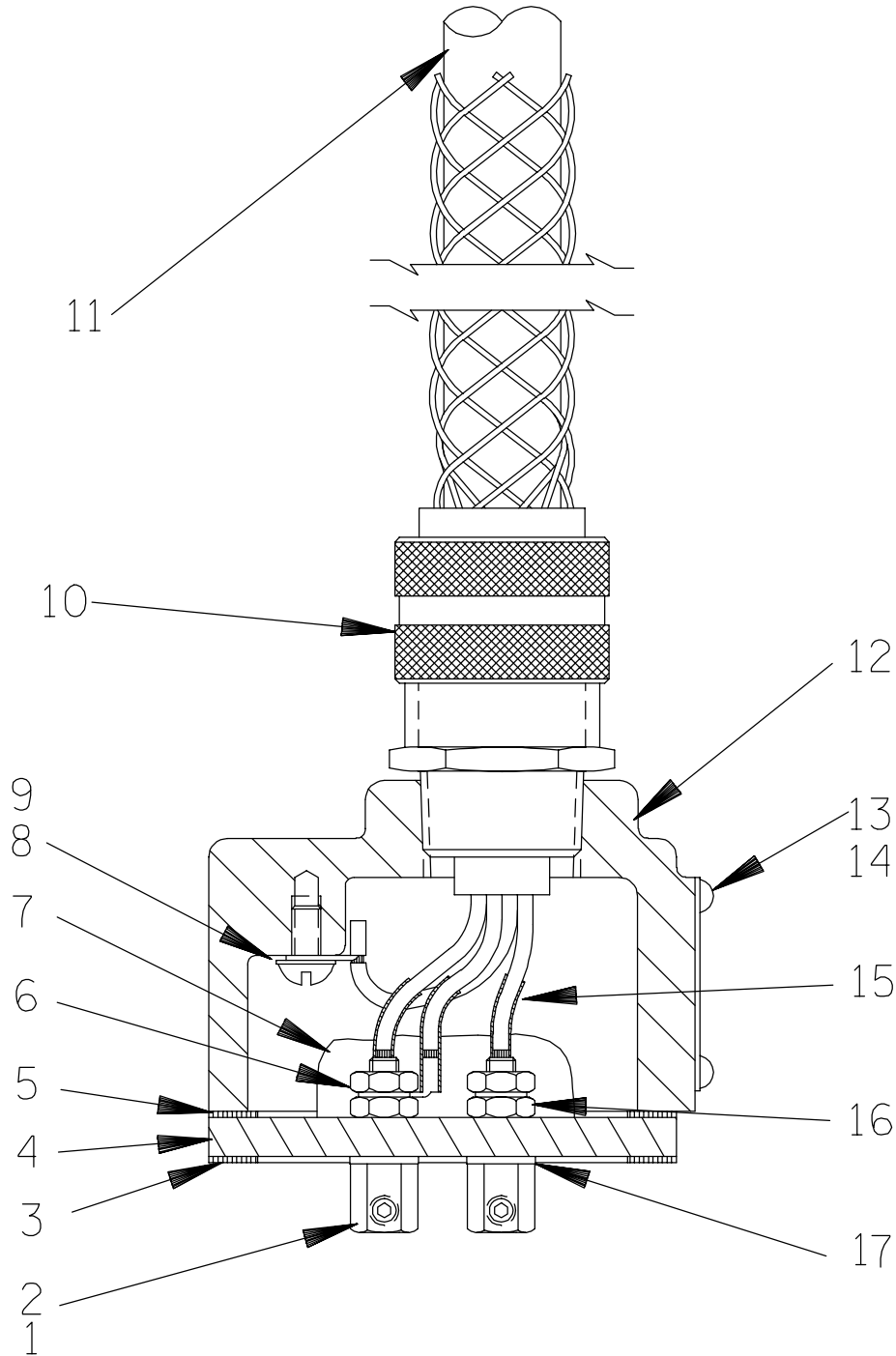
ITEM NO.	PART NAME	PART NUMBER	MAT'L CODE	QTY	ITEM NO.	PART NAME	PART NUMBER	MAT'L CODE	QTY
1	SUCTION CASING	38222-429	17180	1	36	SEAL SNAP RING	S668	---	1
2 *	IMPELLER	38614-709	1718H	1	37	SEAL CVTY DRAIN PLUG	P04	17000	1
3 *	LOWER SEAL ASSY	46512-036	---	1	38 *	SUCT CASING GSKT	38674-807	20000	1
4 *	UPPER SEAL ASSY	25271-824	---	1	39	SEAL PLATE	38272-830	1718H	1
5 *	SEAL PLATE O-RING	25152-250	---	1	40 *	IMP ADJ SHIM SET	13130	17000	1
6	RETAINING RING	24121-077	---	1	41	STUD	C0610	17000	4
7 *	INTERMEDIATE O-RING	25152-248	---	1	42	LOCK WASHER	J06	17000	4
8	INTERMEDIATE BRACKET	38261-015	13040	1	43	HEX NUT	D06	17000	4
9 *	LOWER BALL BEARING	S1512	---	1	44 *	IMPELLER KEY	N0202-1/2	17000	1
10	MOTOR HOUSING	38311-016	13040	1	45	FLAT WASHER	21161-808	---	1
11 *	UPPER BALL BEARING	S1512	---	1	46	IMPELLER NUT	D06	17000	1
12	BRG SPRING WASHER	S1554	---	1	47 *	STRAINER ASSY	46611-005	24170	1
13 *	BAIL BUSHING	10194	17090	2	48	NYLOCK CAPSCREW	BT0508	17000	4
14	HOIST BAIL	10185A	1502V	1	NOT SHOWN:				
15	HEX HD CAPSCREW	B0604	17000	2		CABLE TIE	27111-212	---	1
16	FLAT WASHER	KB06	17000	2		CONTROL BOX			
17	LOCK WASHER	J06	17000	2		-230V 3P	47631-127	---	1
18	NAME PLATE	38814-055	17000	1		-460V 3P	47631-128	---	1
19	DRIVE SCREW	BM#04-03	17000	4		-575V 3P	47631-129	---	1
20 *	DISCH FLANGE GSKT	10195G	20000	1		SUB. PUMP OIL	9568	---	1
21	DISCHARGE FLANGE	10195	13040	1		MOTOR VOLTAGE TAG			
22 *	RELIEF VALVE ASSY	46431-608	---	1		-230V 3P	38816-094	---	1
23	STUD	C0506	17000	4		-460V 3P	38816-093	---	1
24	HEX NUT	D05	17000	4		-460V 3P	38816-093	---	1
25	STUD	C0511	17000	4		MOTOR PLATE			
26	HEX NUT	D05	17000	4		-230V 3P & 460V 3P	10436	17000	1
27	TERM HSG/CABLE ASSY	47367-051	---	1		-575V 4P	DOES NOT APPLY		
28	CONNECTOR					DRIVE SCREW			
	-230V 3P	S1718	---	1		-230V 3P & 460V 3P	BM#04-03	17000	4
	-460V 3P	S1718--	3			-575V 4P	DOES NOT APPLY		
	-575V 4P	DOES NOT APPLY							
29 *	HEAT-SHRINK TUBE				OPTIONAL:				
	-230V 3P	31411-235	19450	1	*	REPAIR GASKET SET	11000T	---	1
	-460V 3P	31411-235	19450	3		STAGING ADAPTOR KIT	48272-002	---	1
	-575V 4P	DOES NOT APPLY				ANODE PLATE ASSY	42116-001	---	1
30	STATOR				LIQUID LEVEL DEVICES:				
	-230V 3P & 460V 3P	47113-854	---	1		-DIAPHRAGM TYPE	GRP48-03 or GRP48-061		
	-575V 3P	47113-864	---	1		-FLOAT TYPE	27471-180	---	1
31 *	ROTOR W/SHAFT ASSY	47112-801	---	1	120V LIQ LVL CONTROL				
32	ALLEN HD SETSCREW	GA0501-1/4	15990	1		-230V 3P & 460V 3P	47631-136	---	1
33	PIPE PLUG	P02	17000	1		-575V 3P	47631-072	---	1
34	MOTOR BUSHING	31173-018	23010	1					
35	PIPE PLUG	P04	17000	1					

\* INDICATES PARTS RECOMMENDED FOR STOCK

**THE GORMAN-RUPP COMPANY • MANSFIELD, OHIO**

GORMAN-RUPP OF CANADA LIMITED • ST. THOMAS, ONTARIO, CANADA

Printed in U.S.A.



**THE GORMAN-RUPP COMPANY • MANSFIELD, OHIO**

GORMAN-RUPP OF CANADA LIMITED • ST. THOMAS, ONTARIO, CANADA Printed in U.S.A.

S/N 838616 Up  
PUMP ISSUE 2

### Terminal Housing

If your pump serial number is followed by an "N", your pump is **NOT** a standard production model. Contact the Gorman-Rupp Company to verify part numbers.

ITEM NO.	PART NAME	PART NUMBER	MAT'L CODE	QTY
1	TERMINAL	11181	14100	3
2	ALLEN HD SETSCREW	GA#10-01S	15991	3
3	* LOWER FLANGE GASKET	10195G	20000	1
4	TERMINAL PLATE	38713-007	23010	1
5	* UPPER FLANGE GASKET	10195G	20000	1
6	HEX NUT	D#10	14990	3
7	1 OZ RTV SEALANT	18771-106	---	1
8	ROUND HEAD MACHINE SCREW	X#10-01 1/2	14990	1
9	T TYPE LOCK WASHER	AK#10	15991	1
10	CABLE GRIP	S1553	---	1
11	* CABLE ASSEMBLY	10551A	---	1
12	TERMINAL HOUSING	38381-224	13040	1
13	DRIVE SCREW	BM#04-03	17000	4
14	INFORMATION PLATE	38816-047	17990	1
15	* HEAT-SHRINK TUBE	31411-203	19530	3
16	HEX NUT	D#10	14990	3
17	* DYNA-SEAL WASHER	S1590	---	3
OPTIONAL:				
	HEAT SHRINK TERMINAL KIT	48315-008	---	1

\* INDICATES PARTS RECOMMENDED FOR STOCK

**THE GORMAN-RUPP COMPANY • MANSFIELD, OHIO**

GORMAN-RUPP OF CANADA LIMITED • ST. THOMAS, ONTARIO, CANADA

Printed in U.S.A.

**For U.S. and International Warranty Information,  
Please Visit [www.grpumps.com/warranty](http://www.grpumps.com/warranty)  
or call:  
U.S.: 419-755-1280  
International: +1-419-755-1352**

**For Canadian Warranty Information,  
Please Visit [www.grcanada.com/warranty](http://www.grcanada.com/warranty)  
or call:  
519-631-2870**