

# Self Priming Centrifugal Pump

## Model 03B51-B

### Size 3" x 3"



#### PUMP SPECIFICATIONS

**Size:** 3" x 3" (76 mm x 76 mm) NPT - Female

**Casing:** Ductile Iron 60-40-18.

Maximum Operating Pressure 59 psi (407 kPa).\*

**Enclosed Type, Five Vane Impeller:** Gray Iron 30.

Handles 3/8" (9,5 mm) Diameter Spherical Solids.

**Impeller Shaft:** Carbon Steel 1045.

**Replaceable Vane Plate:** Gray Iron 30.

**Pedestal:** Gray Iron 30.

**Seal Plate:** Ductile Iron 60-40-18.

**Radial and Thrust Bearings:** Open Single Row Ball.

**Bearing Lubrication:** Grease.

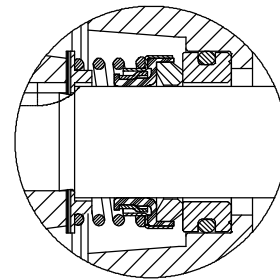
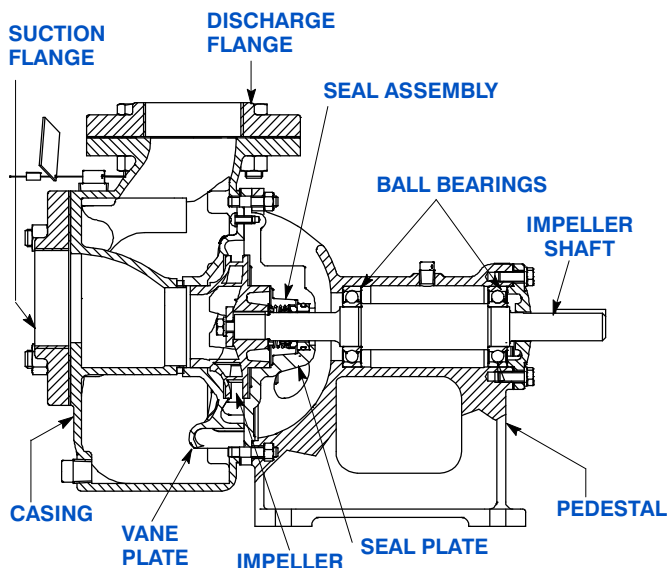
**Flanges:** Ductile Iron 60-40-18.

**Gaskets:** Cork <sup>w</sup>/Nitrile Binder NC710.

**Hardware:** Standard Plated Steel

**Optional Equipment:** Silicon Graphite Seal.

*\*Consult Factory for Applications Exceeding  
Maximum Pressure and/or Temperature Indicated.*



#### SEAL DETAIL:

Type 31, Mechanical Self-Lubricated. Silicon Carbide Stationary and Rotating Faces. Fluorocarbon Elastomers (DuPont Viton<sup>®</sup> or Equivalent). Stainless Steel 18-8 Cage and Spring. Maximum Temperature of Liquid Pumped, 160°F (71°C).\*



## GORMAN-RUPP PUMPS

www.grpumps.com

Specifications Subject to Change Without Notice

Printed in U.S.A.

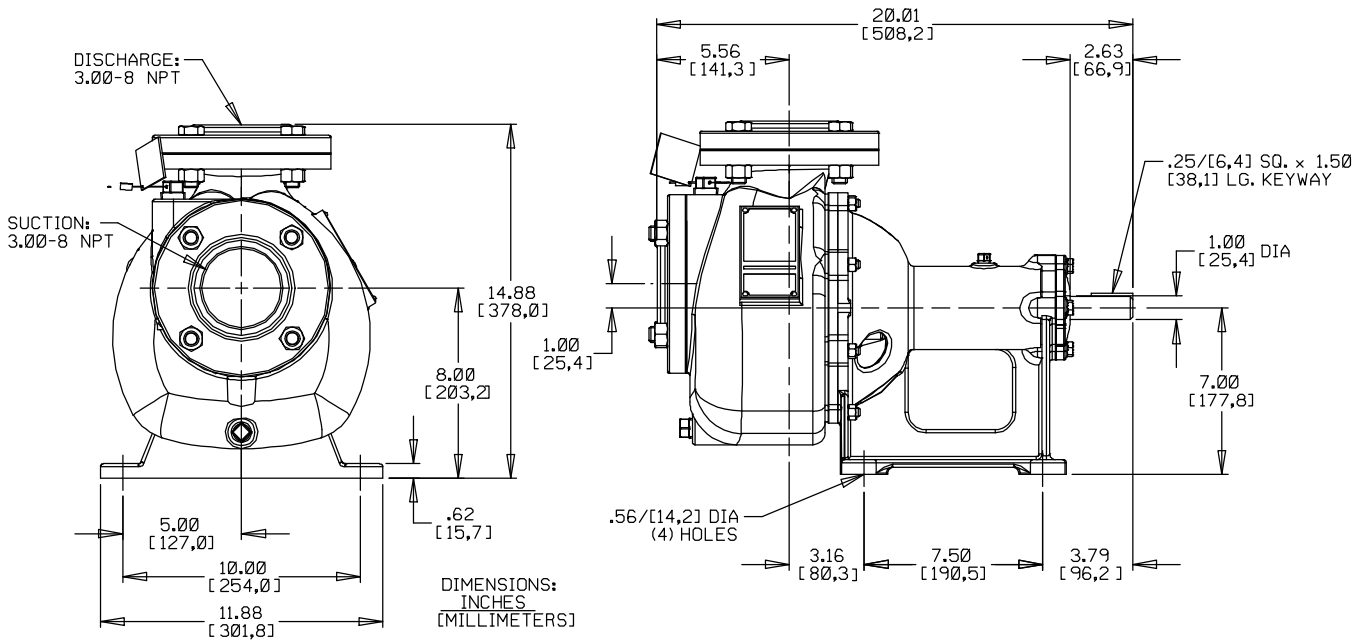
**Specification Data**

SECTION 30, PAGE 1202

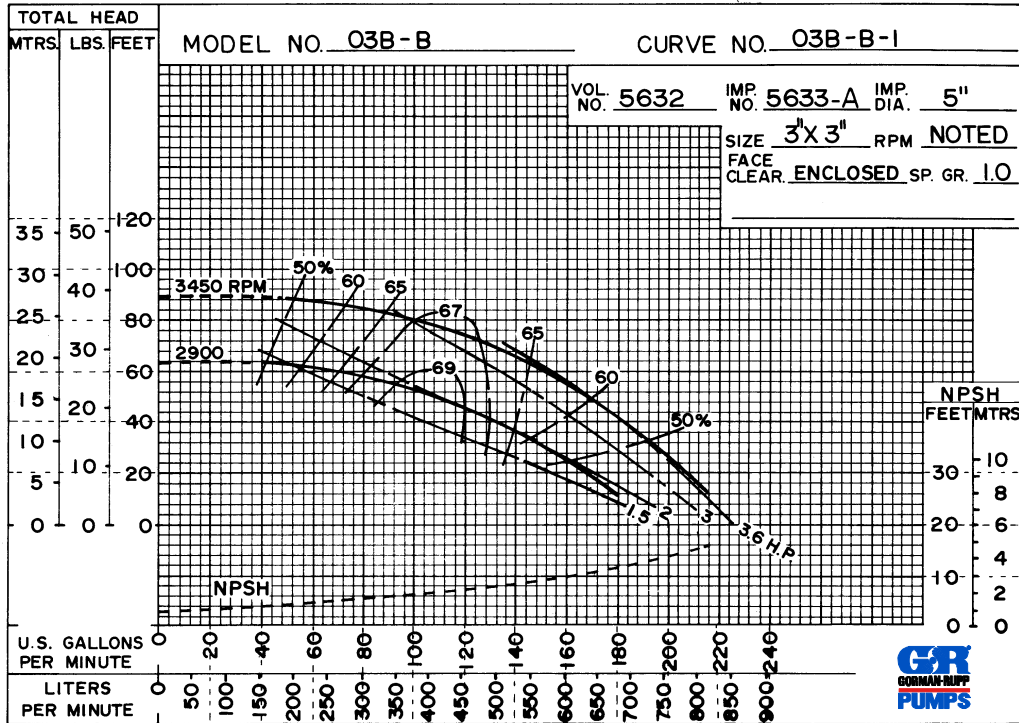
APPROXIMATE  
DIMENSIONS and WEIGHTS

NET WEIGHT:  
SHIPPING WEIGHTS:  
EXPORT CRATE:

107 LBS. (49 KG.)  
123 LBS. (56 KG.)  
3.5 CU. FT. (0,1 CU. M.)



**MULTI-SPEED  
CURVE  
PERFORMANCE  
BASED ON  
WATER**



T-4-15-71 REV.



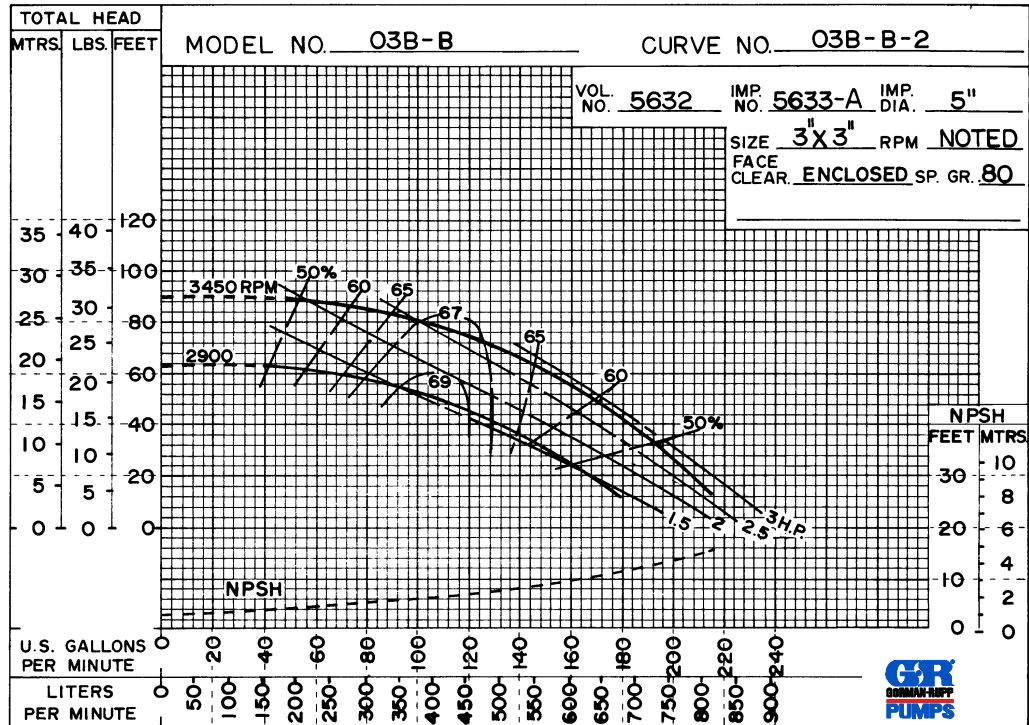
**GORMAN-RUPP PUMPS**

www.grpumps.com

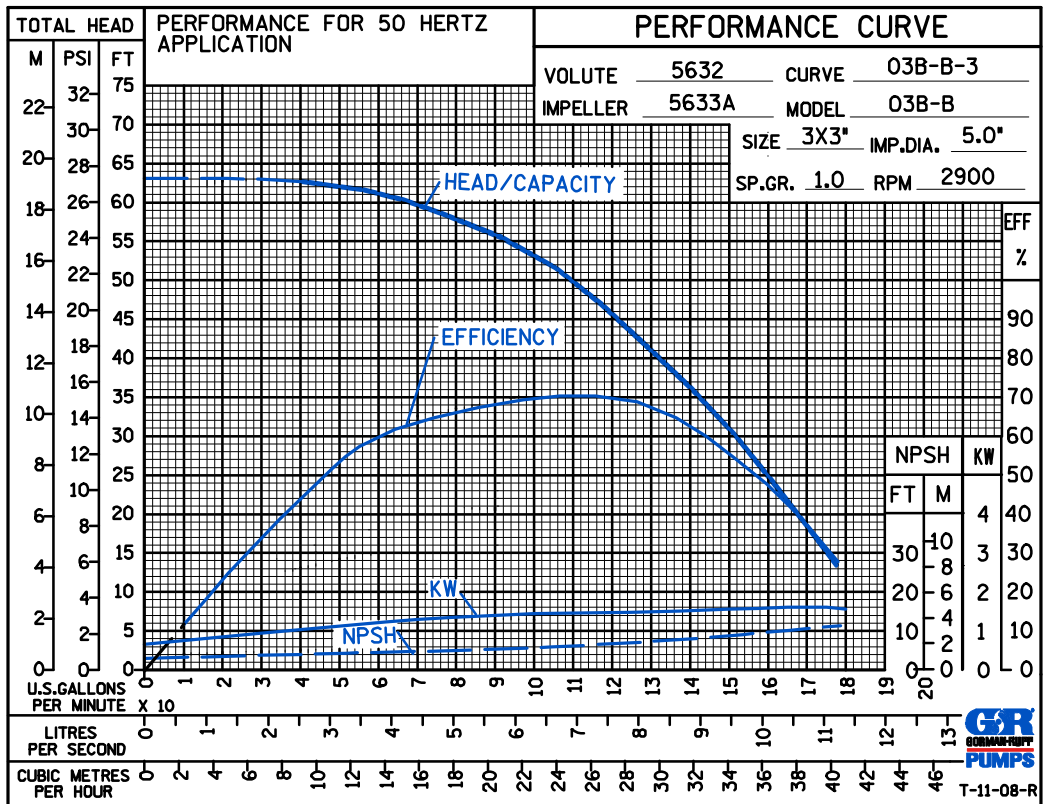
Specifications Subject to Change Without Notice

Printed in U.S.A.

MULTI-SPEED  
CURVE  
PERFORMANCE  
BASED ON  
PETROLEUM



50 HERTZ  
PERFORMANCE  
BASED ON  
WATER



GORMAN-RUPP PUMPS

www.grpumps.com

Specifications Subject to Change Without Notice

Printed in U.S.A.