

# Self Priming Centrifugal Pump



## Model 03J1-B

### Size 3" x 3"

#### PUMP SPECIFICATIONS

**Size:** 3" x 3" (76 mm x 76 mm) NPT - Female.

**Casing:** Aluminum 356-T6.

Maximum Operating Pressure 124 psi (855 kPa).\*

**Enclosed Type, Three Vane Impeller:** Aluminum Alloy 356-T6.  
Handles 1/2" (12,7 mm) Diameter Spherical Solids.

**Impeller Shaft:** Alloy Steel 4150M.

**Replaceable Wear Rings:** Copper Alloy C93200.

**Pedestal:** Gray Iron 30.

**Seal Plate:** Aluminum Alloy 356-T6.

**Shaft Sleeve:** Alloy Steel 4130.

**Radial and Thrust Bearings:** Open Single Row Ball.

**Bearing Lubrication:** SAE 30 Non-Detergent Oil.

**Flanges:** Aluminum 356-T6.

**Gaskets:** Composition Cork and Buna-N.

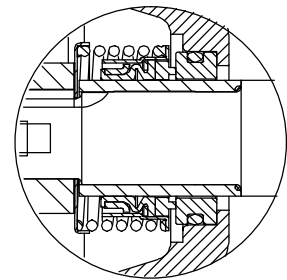
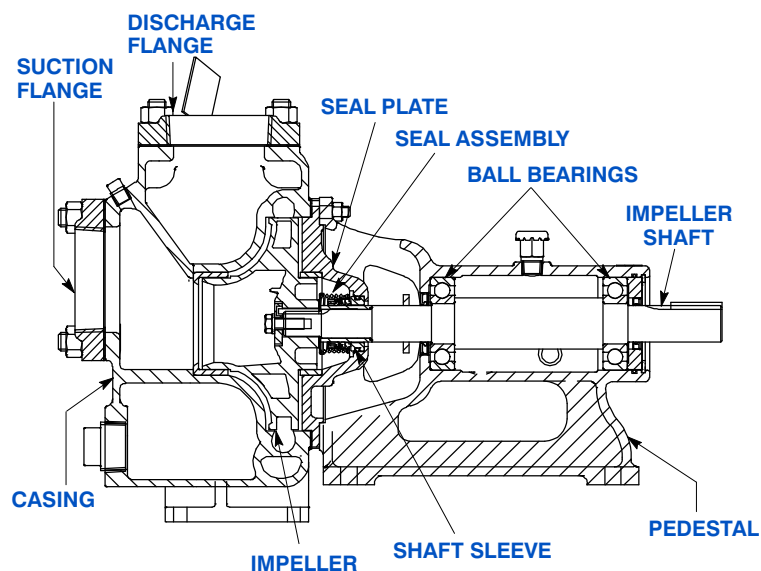
**Hardware:** Standard Plated Steel.

**Oil Level Sight Gauge.**

**Optional Equipment:** Victaulic® Flanges. PTFE Seal.

*\*Consult Factory for Applications Exceeding Maximum Pressure and/or Temperature Indicated.*

Victaulic® is a Registered Trademark of Victaulic Company of America.



#### SEAL DETAIL

Type 2 Mechanical Self-Lubricated. Carbon Rotating Face. Ni-Resist Stationary Face. Fluorocarbon Elastomers (DuPont Viton® or Equivalent). Stainless Steel 18-8 Cage and Spring. Maximum Temperature of Liquid Pumped, 160°F (71°C).\*



## GORMAN-RUPP PUMPS

www.grpumps.com

Specifications Subject to Change Without Notice

Printed in U.S.A.

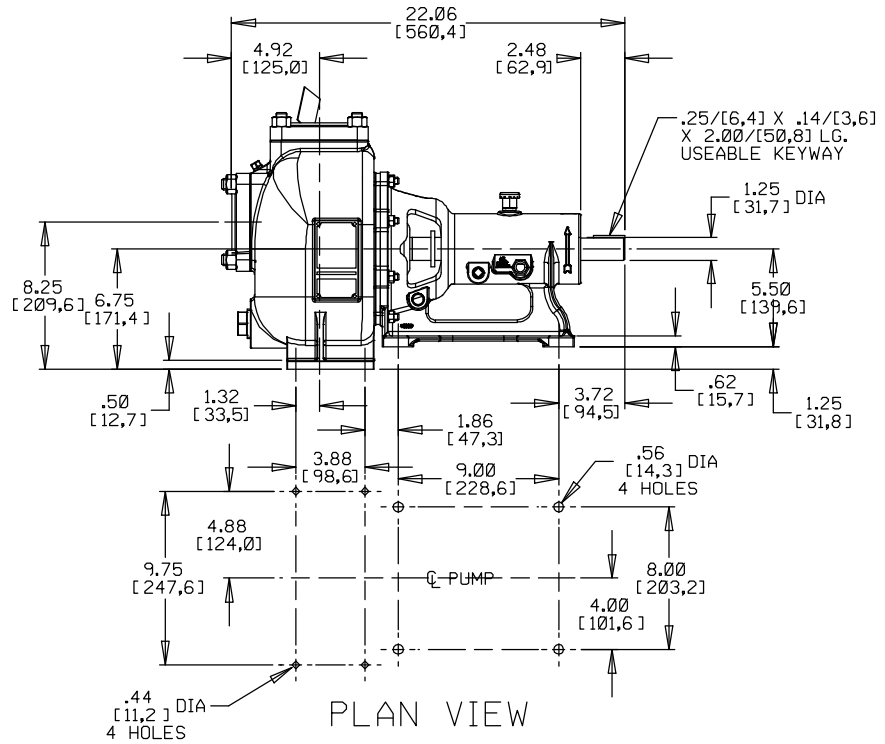
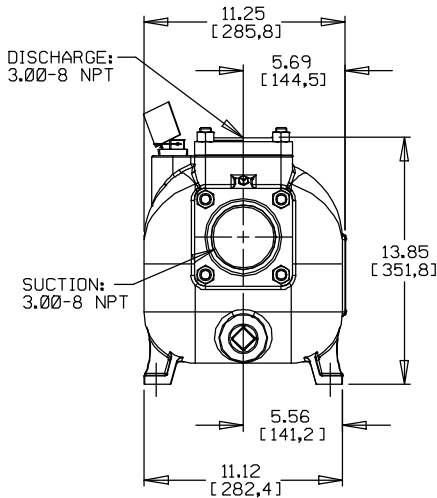
# Specification Data

APPROXIMATE DIMENSIONS and WEIGHTS

**NET WEIGHT:**  
**SHIPPING WEIGHT:**  
**EXPORT CRATE:**

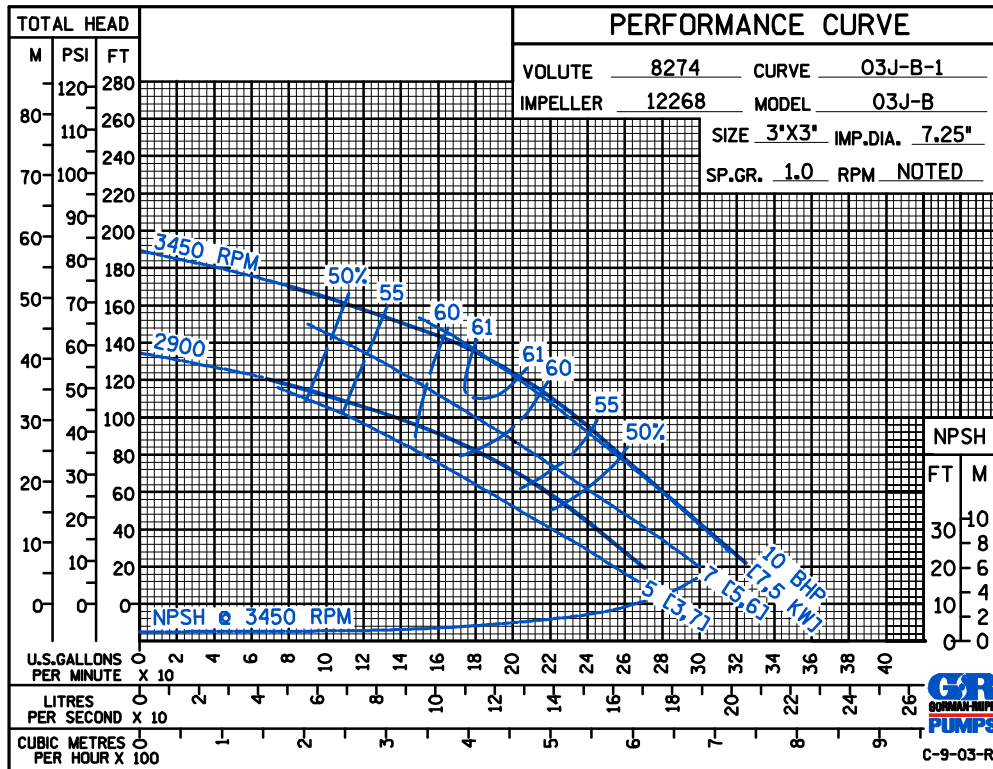
**78 LBS. (35 KG.)**  
**88 LBS. (40 KG.)**  
**7.9 CU. FT. (0,22 CU. M.)**

SECTION 30, PAGE 1575



DIMENSIONS:  
INCHES  
[MILLIMETERS]

**MULTI-SPEED  
CURVE  
PERFORMANCE  
BASED ON  
WATER**



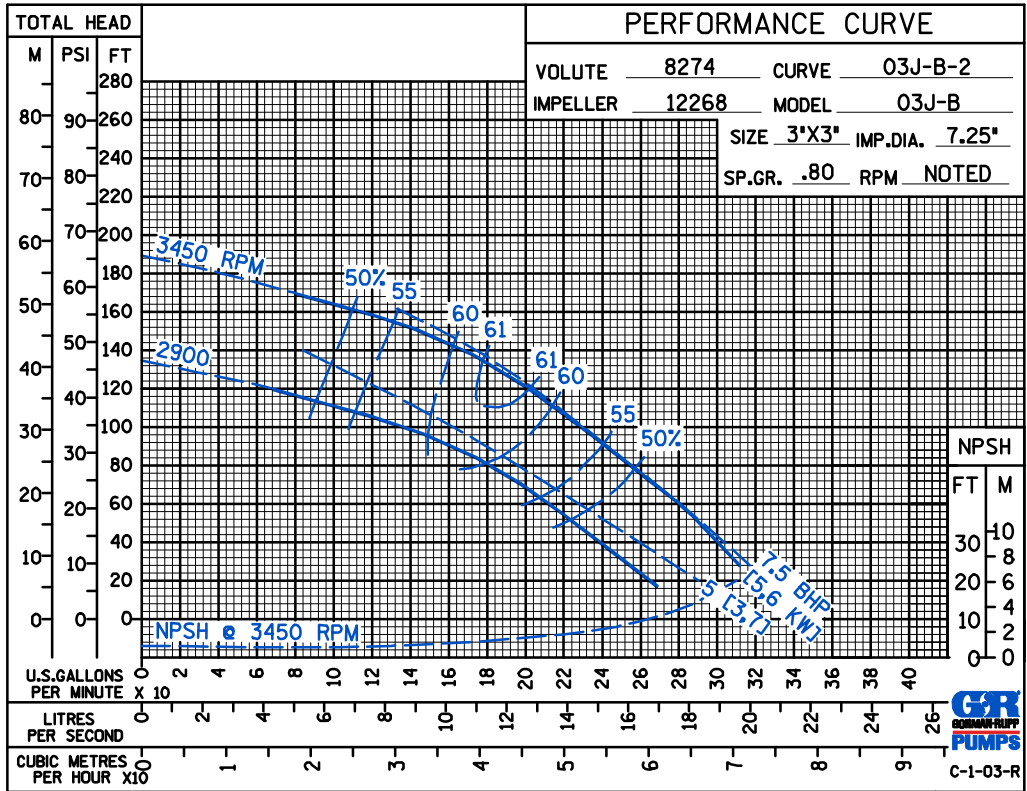
**GORMAN-RUPP PUMPS**

www.grpumps.com

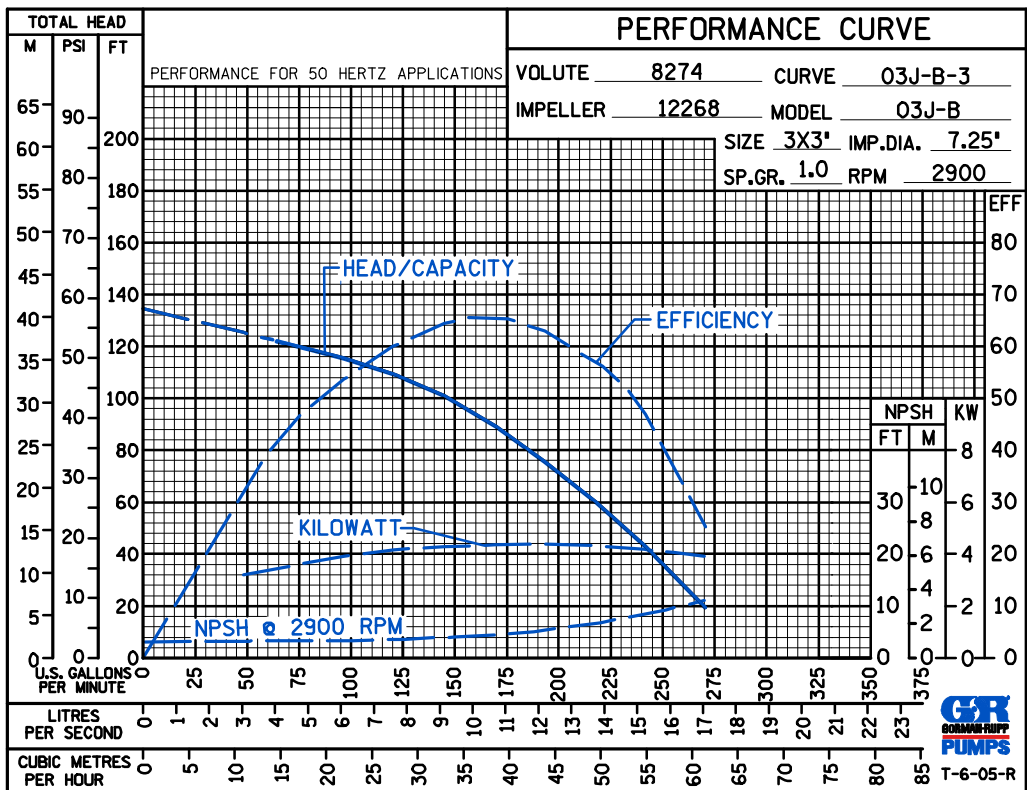
Specifications Subject to Change Without Notice

Printed in U.S.A.

**MULTI-SPEED  
CURVE  
PERFORMANCE  
BASED ON  
PETROLEUM**



**50 HERTZ  
PERFORMANCE  
BASED ON  
WATER**



GORMAN-RUPP PUMPS

www.grpumps.com

Specifications Subject to Change Without Notice

Printed in U.S.A.