

Basic Pedestal



Self Priming Centrifugal Pump

Model 03A52-B

Size 3" x 3"

PUMP SPECIFICATIONS

Size: 3" x 3" (76 mm x 76 mm) NPT - Female.

Casing: Gray Iron 30.

Maximum Operating Pressure 205 psi (1413 kPa).*

Enclosed Type, Six Vane Impeller: Gray Iron 30.

Handles 3/8" (9,5 mm) Diameter Spherical Solids.

Impeller Shaft: Carbon Steel 1045.

Replaceable Wear Ring: Gray Iron 30.

Removable Cleanout Cover: Gray Iron 30. 2 lbs. (0,9 kg.).

Pedestal: Gray Iron 30.

Seal Plate: Gray Iron 30.

Shaft Sleeve: Alloy Steel 4130.

Radial Bearing: Open Double Row Ball.

Thrust Bearing: Open Single Row Ball.

Bearing Lubrication: SAE 30 Non-Detergent Oil.

Flanges: Gray Iron 30.

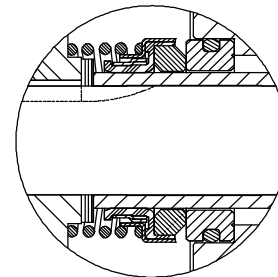
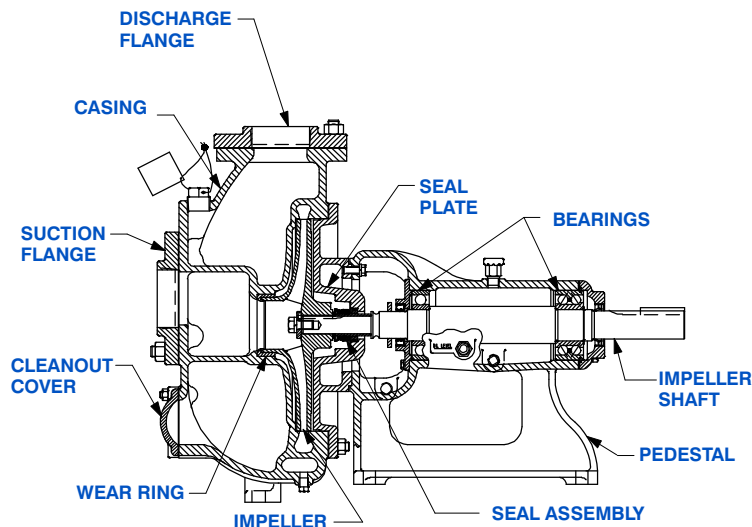
Gaskets: Cork ^{w/}Buna-N.

Hardware: Standard Plated Steel.

Bearing Cavity Oil Level Sight Gauge.

Optional Equipment: Consult Factory.

**Consult Factory for Applications Exceeding Maximum Pressure and/or Temperature Indicated.*



SEAL DETAIL

Type 31, Mechanical, Self-Lubricated. Silicon Carbide Rotating and Stationary Faces. Fluorocarbon Elastomers (DuPont Viton[®] or Equivalent). Stainless Steel 316 Cage and Spring. Maximum Temperature of Liquid Pumped, 160°F (71°C).*



THE GORMAN-RUPP COMPANY • MANSFIELD, OHIO

GORMAN-RUPP OF CANADA LIMITED • ST. THOMAS, ONTARIO, CANADA

www.grpumps.com

Specifications Subject to Change Without Notice

Printed in U.S.A.

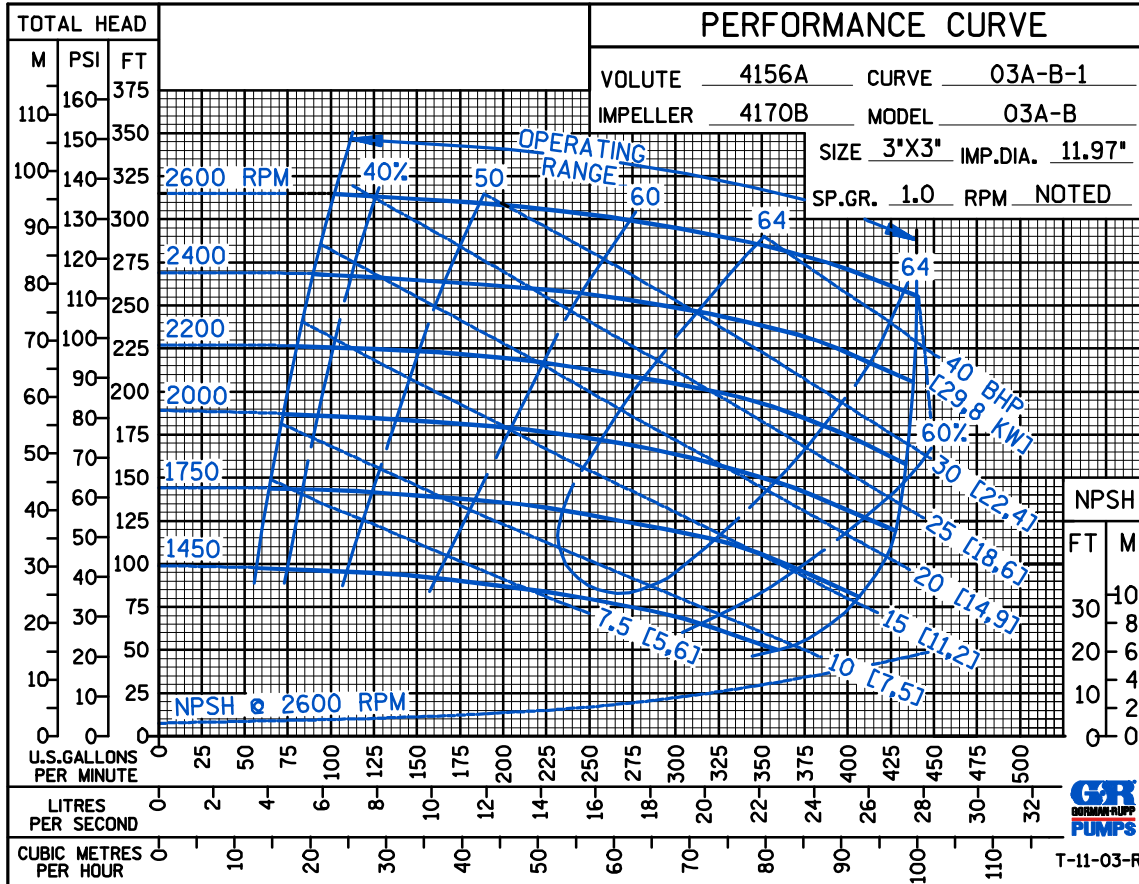
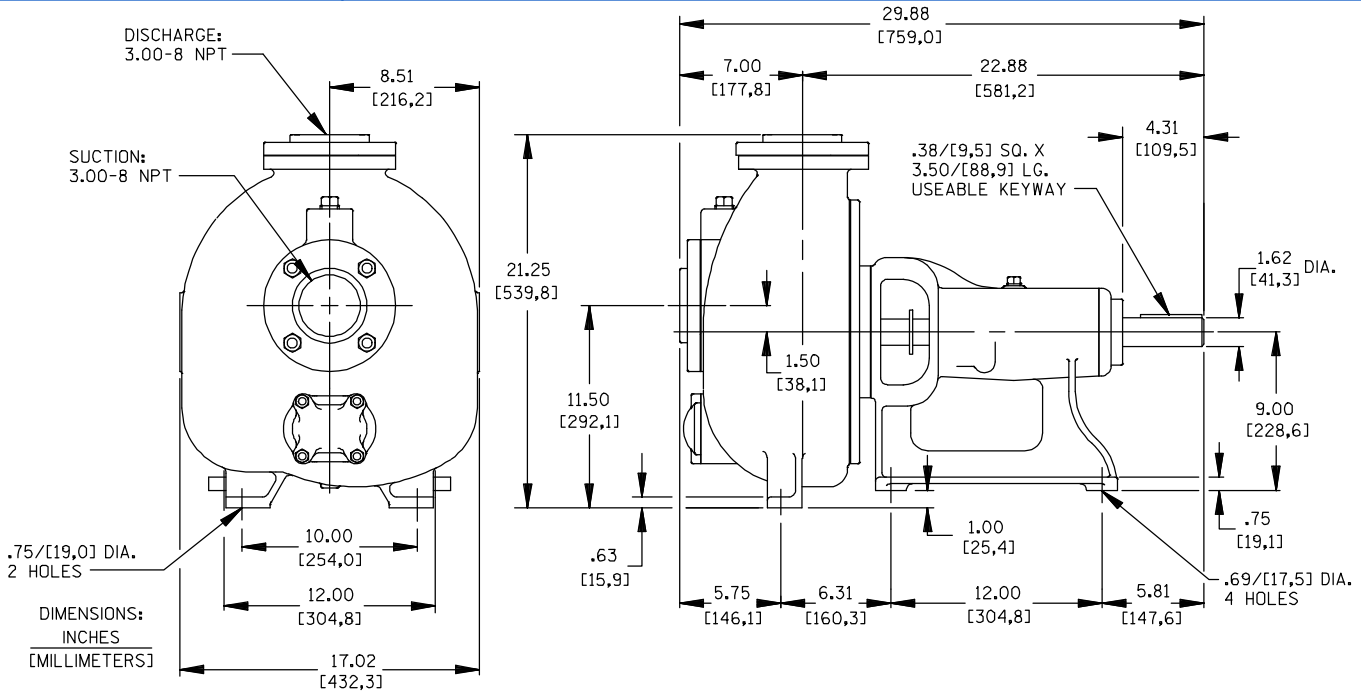
Specification Data

SECTION 30, PAGE 1620

APPROXIMATE
DIMENSIONS and WEIGHTS

NET WEIGHT:
SHIPPING WEIGHT:
EXPORT CRATE:

307 LBS. (139 KGS.)
322 LBS. (146 KGS.)
18 CU. FT. (0,5 CU. M.)



THE GORMAN-RUPP COMPANY • MANSFIELD, OHIO

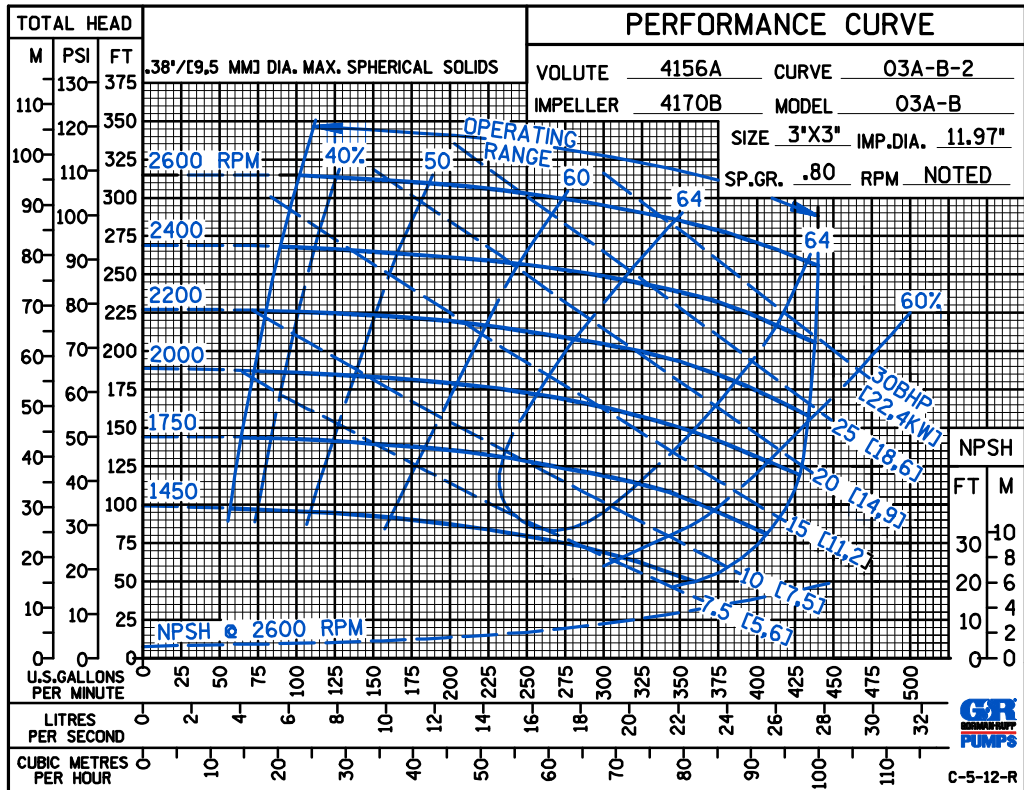
GORMAN-RUPP OF CANADA LIMITED • ST. THOMAS, ONTARIO, CANADA

Specifications Subject to Change Without Notice

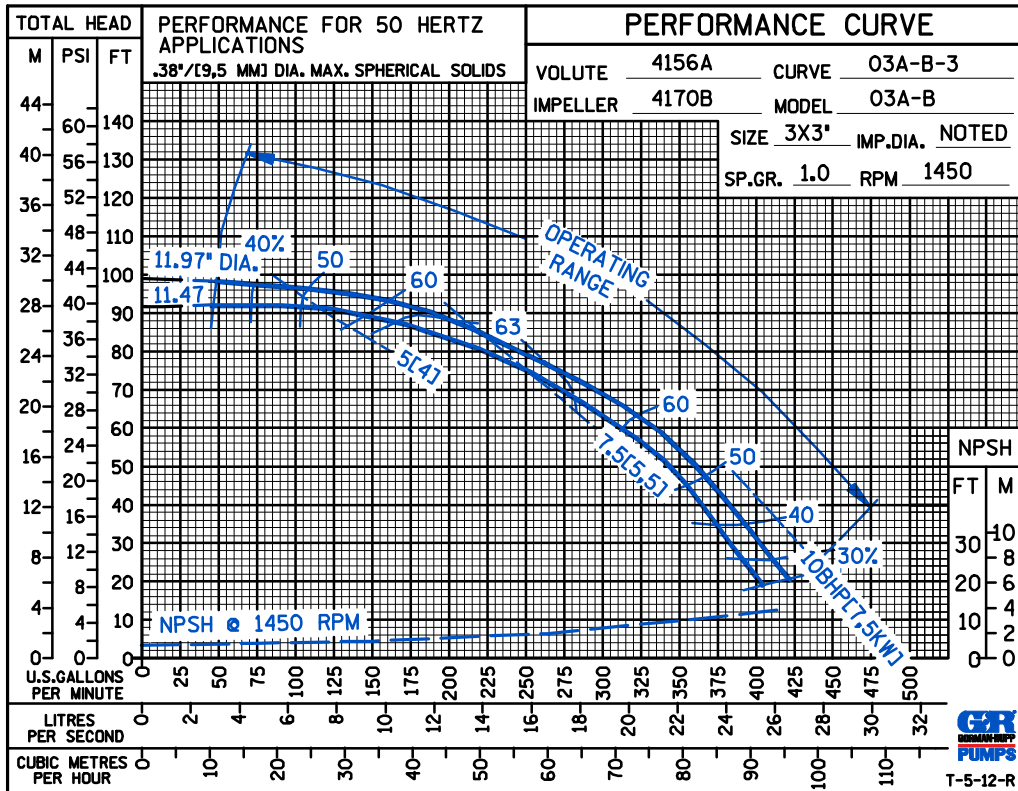
Printed in U.S.A.

A B C E

PERFORMANCE
BASED ON
PETROLEUM



50 HERTZ
PERFORMANCE
BASED ON
WATER



THE GORMAN-RUPP COMPANY • MANSFIELD, OHIO

GORMAN-RUPP OF CANADA LIMITED • ST. THOMAS, ONTARIO, CANADA

Specifications Subject to Change Without Notice

Printed in U.S.A.