

Basic Pump



Self Priming Centrifugal Pump

Models RD4A31-BAR and RD4A32-BAR

Size 6" x 4"

PUMP SPECIFICATIONS

Size: 6" x 4" (152mm x 102 mm) Flanged.

Casing: (RD4A31-BAR) Ductile Iron 65-45-12.
(RD4A32-BAR) Cast Steel 70-36.

Maximum Operating Pressure 203 psi (1386 kPa).*

Enclosed Type, Five Vane Impeller: Aluminum 356-T6.
Handles 1/2" (12,7 mm) Diameter Spherical Solids.

Impeller Shaft: Steel 1045.

Rotor: Copper Alloy C93400.

Bearing Housing: Ductile Iron 65-45-12.

Body Cover: (RD4A31-BAR) Ductile Iron 65-45-12.
(RD4A32-BAR) Cast Steel 70-36.

Center/Spacer Plate: (RD4A31-BAR) Ductile Iron 65-45-12.
(RD4A32-BAR) Cast Steel 70-36.

Radial Bearing: Open Double Row Ball.

Thrust Bearing: Open Single Row Ball.

Bearing Lubrication: SAE 30 Non-Detergent Oil.

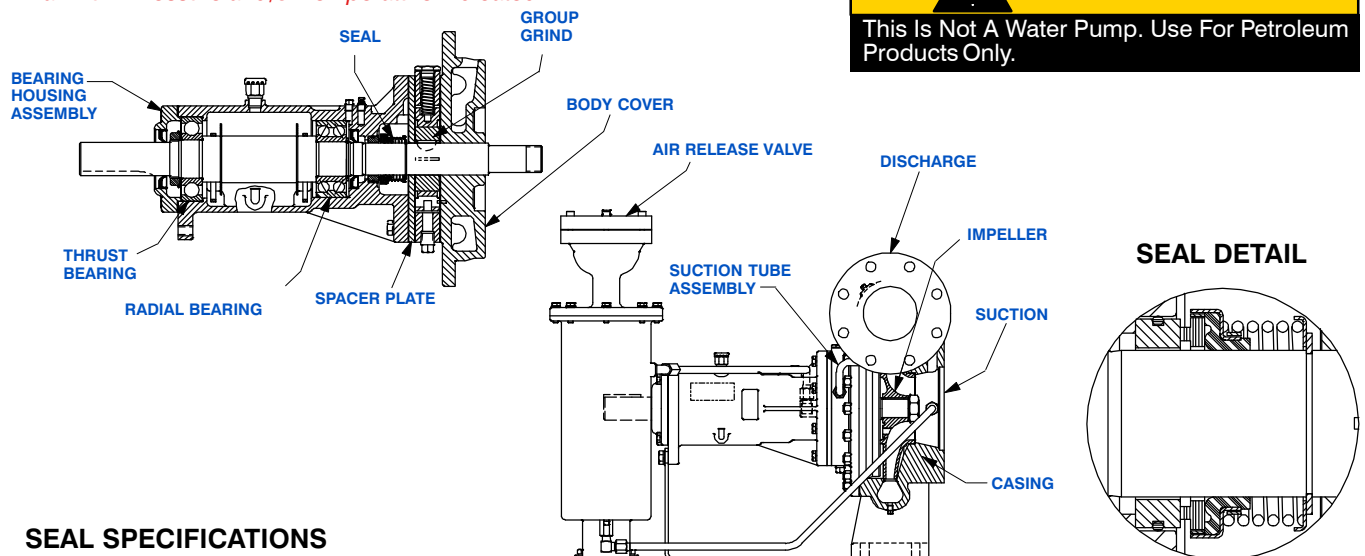
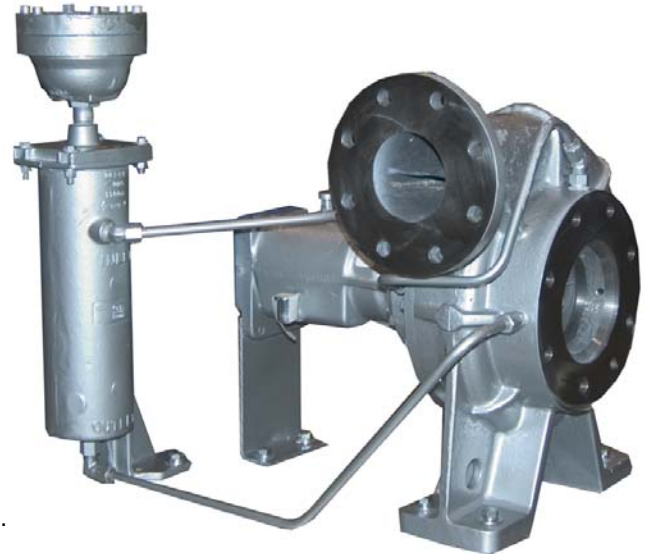
Gaskets: Buna-N and PTFE.

Priming: Rotary Vane Type Priming Pump.

Air Release Valve: (RD4A31-BAR) Ductile Iron/Stainless Steel.
(RD4A32-BAR) Steel/Stainless Steel.

Optional Equipment: Stainless Steel Fitted Air Release Valve.
Stainless Steel 416 Impeller Shaft, PTFE Seal with Fluorocarbon O-Ring, PTFE Seal with Buna-N O-Ring, Standard 4" Check Valve (Required for Priming).

**Consult Factory for Applications Exceeding
Maximum Pressure and/or Temperature Indicated.*



SEAL SPECIFICATIONS

Seal: Mechanical; Self-Lubricated. Fluorocarbon Elastomers (DuPont Viton[®] or Equivalent). Carbon Rotating Face; Ni-Resist Stationary Face; Maximum Temperature of Liquid Pumped is 160°F (71°C).*



GORMAN-RUPP PUMPS

www.grpumps.com

Specifications Subject to Change Without Notice

Printed in U.S.A.

Specification Data

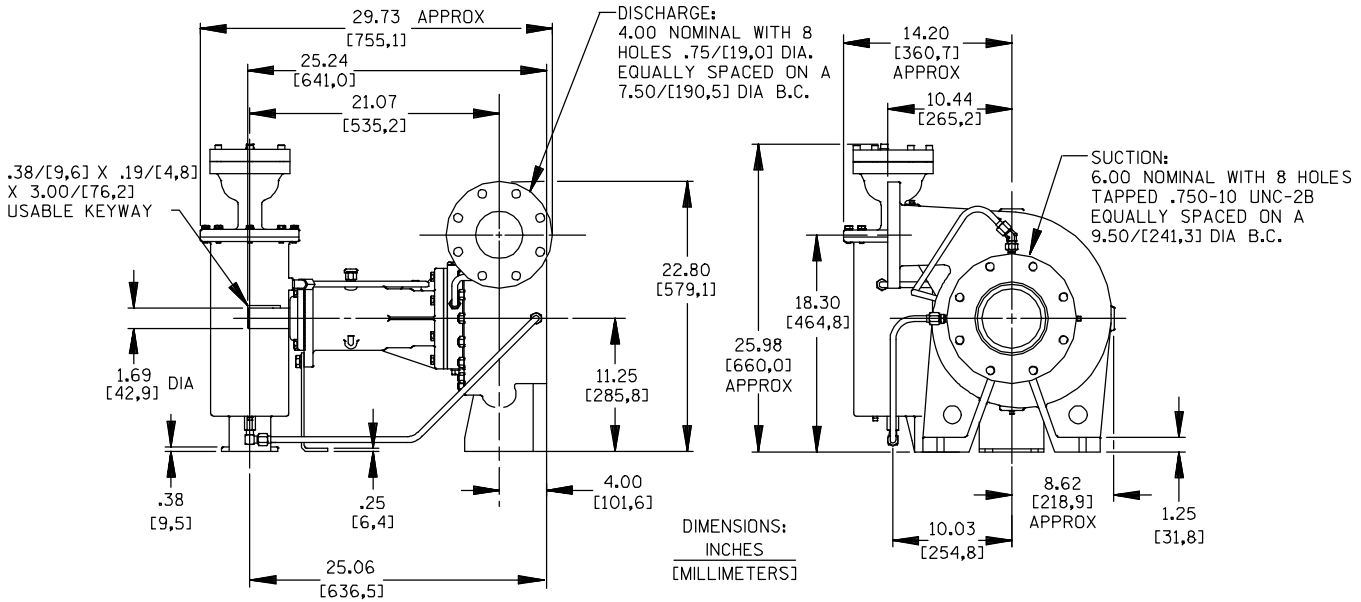
OVERALL DIMENSIONS
and
APPROXIMATE WEIGHTS

RD4A31-BAR

RD4A32-BAR

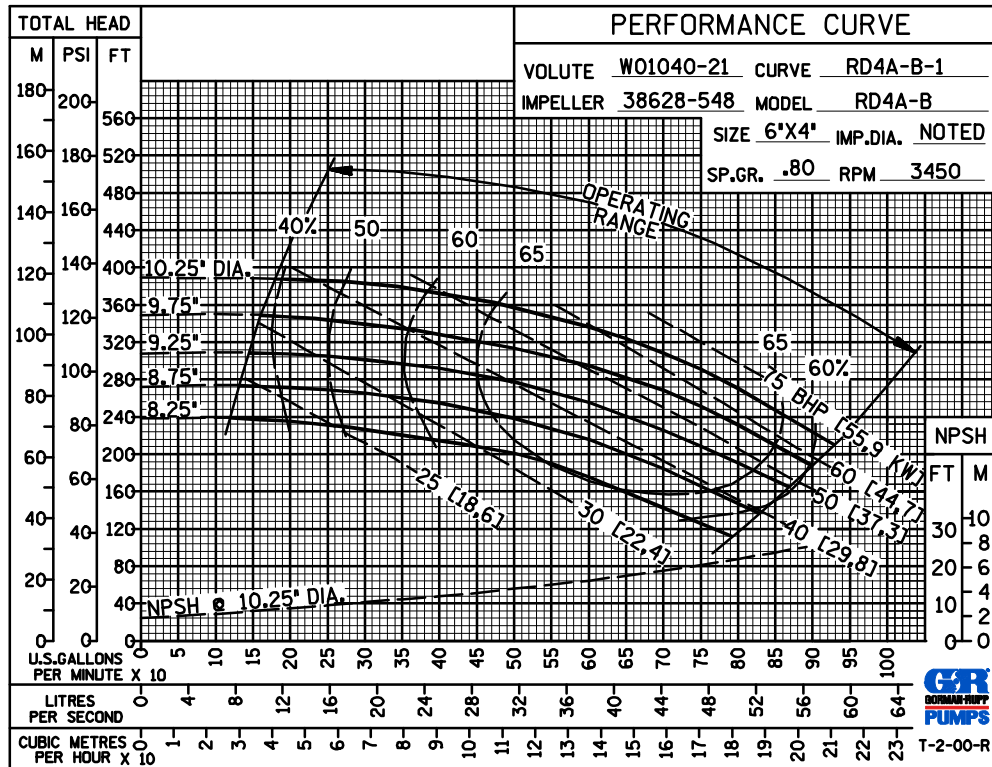
SECTION 35, PAGE 510

PUMP NET WEIGHT: 367 LBS. (1665 KG.) 375 LBS. (170,1 KG.)
 SHIPPING NET WEIGHT: 382 LBS. (173,3 KG.) 395 LBS. (179,2 KG.)
 EXPORT CRATE SIZE: 18 CU. FT. (0,51 CU. M.)



NOTE: OPTIONAL 4 INCH DISCHARGE CHECK VALVE REQUIRED FOR PRIMING.

PERFORMANCE
BASED ON
PETROLEUM
TRIMMED
IMPELLER



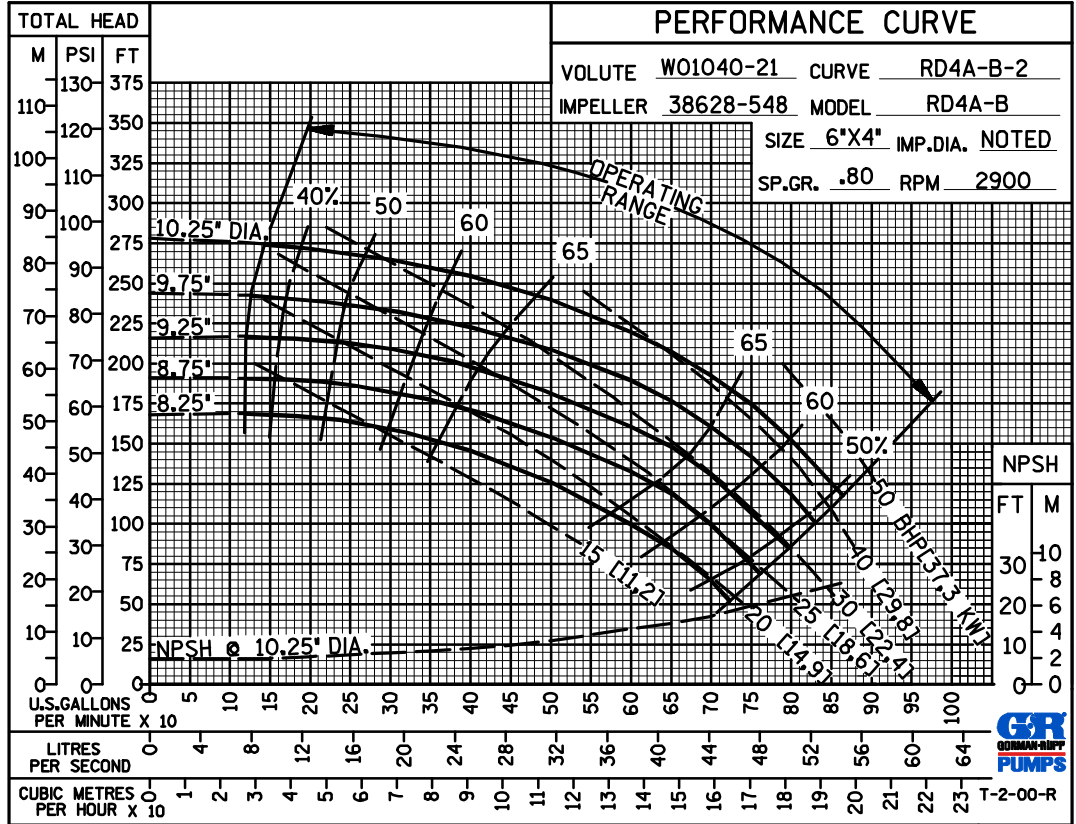
GORMAN-RUPP PUMPS

www.grpumps.com

Specifications Subject to Change Without Notice

Printed in U.S.A.

50 HERTZ
PERFORMANCE
BASED ON
PETROLEUM
TRIMMED
IMPELLER



GORMAN-RUPP PUMPS

www.grpumps.com

Specifications Subject to Change Without Notice

Printed in U.S.A.