



VARIOUS PATENTS APPLY

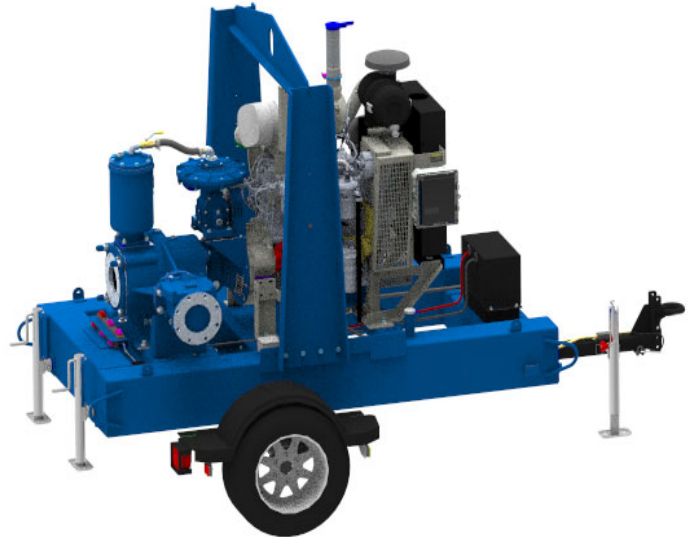
# Priming Assisted Centrifugal Pump w/Autostart

## Model PA6C60D-4045T S5

### Size 6" x 6"



Total Head		Capacity of Pump in U.S. Gallons per Minute (GPM) at Continuous Performance			
P.S.I.	Feet				
63.3	146	200	200	200	200
60.7	140	400	400	400	400
52.0	120	820	1000	1000	1000
43.4	100	960	1380	1420	1420
34.7	80	1040	1500	1770	1770
26.0	60	1100	1510	1815	2050
17.4	40	1140	1505	1820	2120
8.7	20	1200	1550	1820	2150
Suction Lift		25'	20'	15'	10'



SHOWN WITH OPTIONAL WHEEL KIT

**PUMP SPECIFICATIONS****Size:** 6 x 6" (152 mm x 152 mm) Flanged.**Casing:** Ductile Iron 65-45-12.

Maximum Operating Pressure 99 psi (683 kPa).\*

**Open Type, Two Vane Impeller:** Ductile Iron 65-45-12.

Handles 3" (76,2 mm) Diameter Spherical Solids.

**Impeller Shaft:** Stainless Steel 17-4 PH.**Replaceable Wear Plate:** Ductile Iron 80-60-03.**Bearing Housing:** Gray Iron 30.**Seal Plate:** Gray Iron 30.**Seal:** Mechanical, Oil-Lubricated. Silicon Carbide Rotating and Stationary Faces. Stainless Steel 316 Stationary Seat. Fluorocarbon Elastomers (DuPont Viton® or Equivalent). Stainless Steel 18-8 Cage and Spring. Maximum Temperature of Liquid Pumped, 160°F (71°C).\***Shaft Sleeve:** Stainless Steel 17-4 PH.**Priming Chamber:** Gray Iron 30 Housing w/Stainless Steel Float and Linkage.**Discharge Check Valve:** Ductile Iron Housing w/Buna-N Flapper.**Radial/Thrust Bearings:** Open Double Ball.**Bearing Lubrication:** SAE 30 Non-Detergent Oil.**Gaskets:** Resistant Synthetic Rubber, Cork, PTFE, Vegetable Fiber, and Compressed Synthetic Fibers.**O-Rings:** Buna-N.**Hardware:** Standard Plated Steel.**Bearing and Seal Cavity Oil Level Sight Gauges.***\*Consult Factory for Applications Exceeding Maximum Pressure and/or Temperature Indicated.***Standard Equipment:** Belt-Driven Diaphragm Primer. Hoisting Bail. Combination Skid Base w/Fuel Tank. [Single Ball Type Float Switch](#). [Full Feature Control Panel](#) \*\***Optional Equipment:** Battery. Skid Base Kit. NPT Suction and Discharge Flange Kit (Quick Connect Coupling). High Speed (55 MPH/89 KM/H) Single Axle Pneumatic-Tired Wheel Kit <sup>w/wo</sup> DOT-Approved Lights and Electric Brakes. [Tandem Axle Over-the-Road Trailer](#) (Meets DOT Requirements) Available <sup>w/</sup>Either Electric or Hydraulic Surge Brakes, Running Lights, Jack Stands and Safety Cables/Chains. Liquid Level Transducer.*\*\*50 Ft. (15 m) Standard Length; Dual Switches and Alternate Cable Lengths Available From the Factory.***ENGINE SPECIFICATIONS****Model:** John Deere 4045T.**EPA Tier:** Stage 5.**Type:** Turbocharged Four Cylinder, Diesel Engine.**Displacement:** 276 Cu. In. (4,5 liters).**Lubrication:** Forced Circulation.**Air Cleaner:** Dry Type.**Fuel Tank:** 102 U.S. Gals. (386 liters).**Full Load Operating Time:** 27.2 Hrs.**Starter:** 12V Electric.**Standard Features:** Muffler <sup>w/</sup>Guard and Weather Cap, DOC/DPF Exhaust After-Treatment System.**Engine Control Features:** Padlockable Box with Throttle Control, Tachometer, Coolant Temperature, Oil Pressure, Voltage and Overstart Indicators/Shutdowns. Manual/Stop/Auto Keyswitch. Audible Startup Warning Delay. Fuel Level Display/Alarm/Shutdown. Electronic Fuel Level Sensor.**JOHN DEERE PUBLISHED PERFORMANCE:**

Maximum Net Continuous BHP

74 (55 kW) @ 2400 RPM



GORMAN-RUPP PUMPS

www.grpumps.com

Specifications Subject to Change Without Notice

Printed in U.S.A.

**Specification Data**

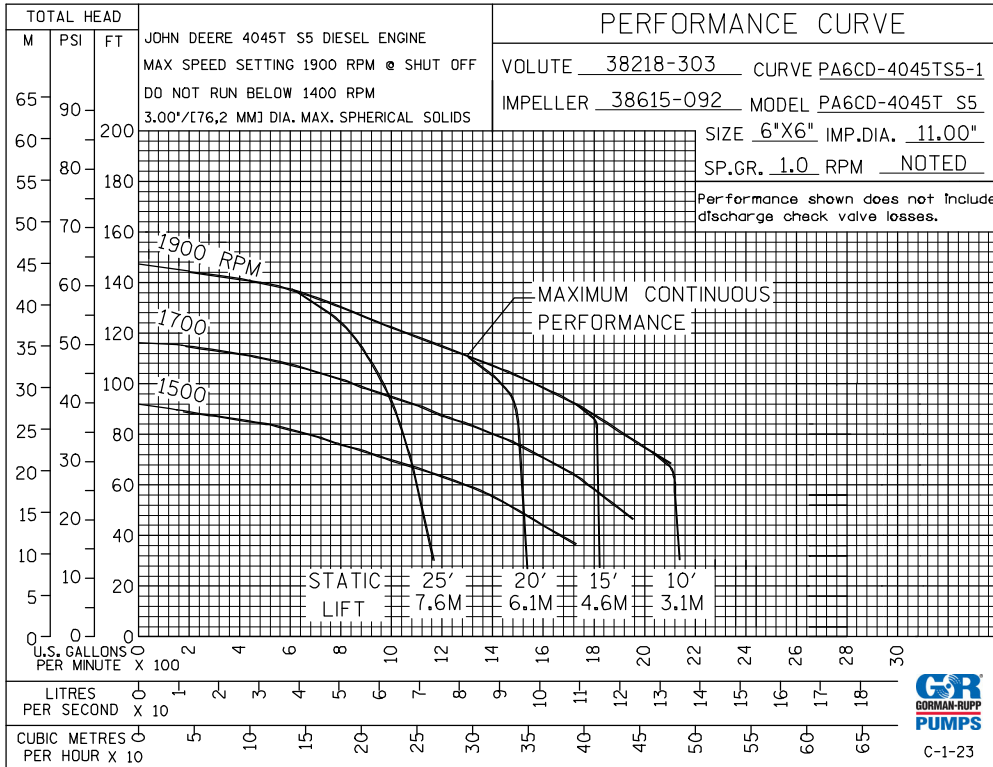
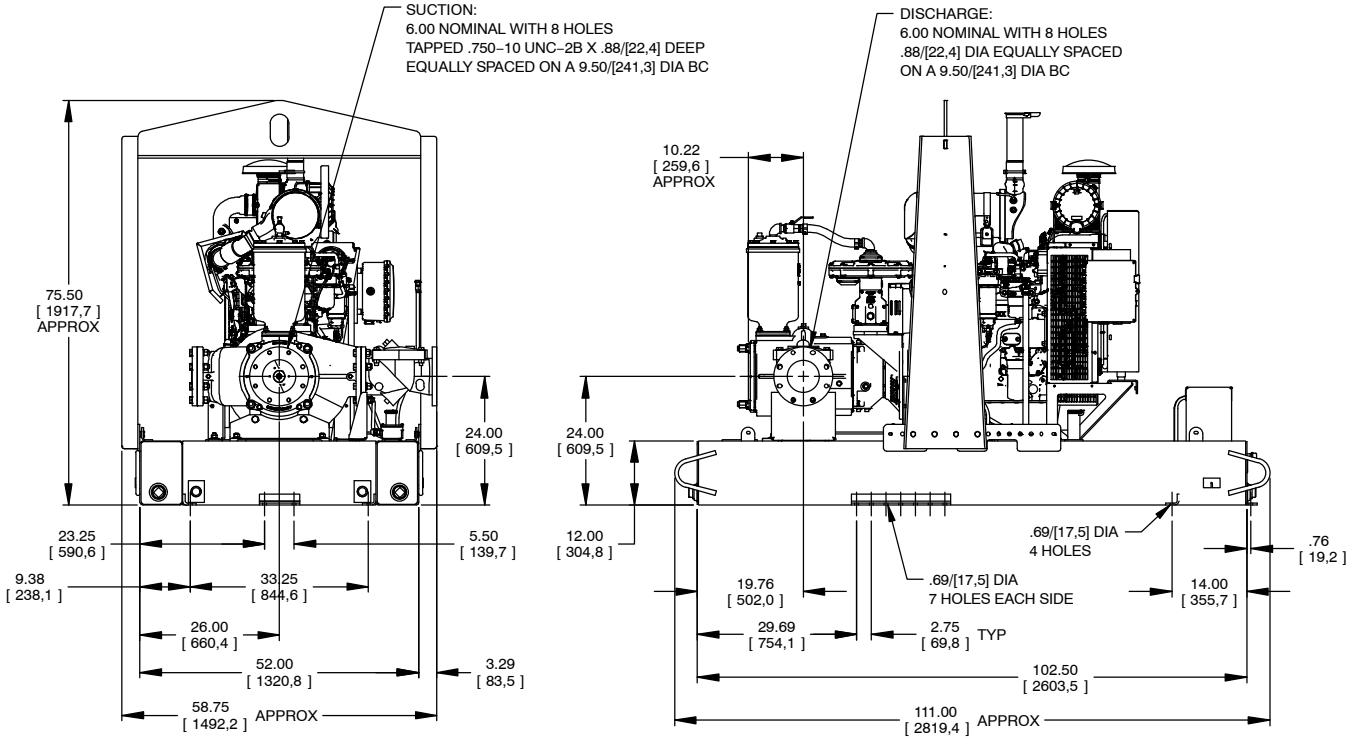
**SECTION 42, PAGE 1112**

APPROXIMATE  
DIMENSIONS and WEIGHTS

**NET WEIGHT:**  
**SHIPPING WEIGHT:**  
**EXPORT CRATE SIZE:**

**SKID BASE**

**4300 LBS. (1950,5 KG.)**  
**4525 LBS. (2052,5 KG.)**  
**333 CU. FT. (9,4 CU. M.)**



**GORMAN-RUPP PUMPS**

www.grpumps.com

Specifications Subject to Change Without Notice

Printed in U.S.A.