



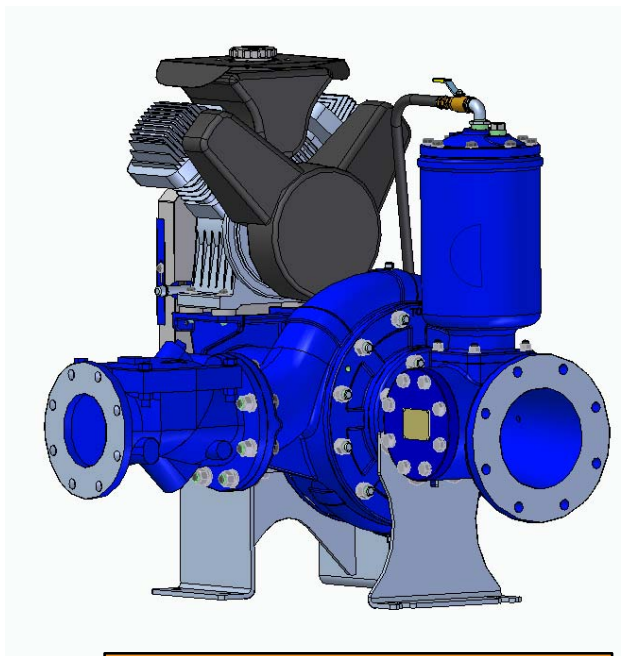
# Priming Assisted Centrifugal Pump Model PAH6C60C-B

Size 8" x 6"



**PUMP SPECIFICATIONS**

- Size:** 8" x 6" (203 mm x 152 mm) Flanged.
- Casing:** Ductile Iron 65-45-12.  
Maximum Casing Pressure 291 psi (2006 kPa).\*
- Maximum Operating Pressure 250 psi (1723 kPa) at Temperatures up to 100° F (37° C) Based on System Component Limitations.\*
- Enclosed Type, Two Vane Impeller:** Ductile Iron 65-45-12.  
Handles 3" (76.2 mm) Diameter Spherical Solids.
- Suction Head:** Ductile Iron 65-45-12
- Suction Spool:** Gray Iron 30.
- Impeller Shaft:** Alloy Steel 4150M.
- Replaceable Wear Ring:** Ductile Iron 65-45-12.
- Bearing Pedestal:** Gray Iron 30.
- Seal Plate:** Gray Iron 30.
- Shaft Sleeve:** Stainless Steel 303/304.
- Priming Chamber:** Gray Iron 30 Housing w/Stainless Steel Float and Linkage.
- Discharge Check Valve:** Ductile Iron Housing with Welded Nickel Seat and Buna-N Flapper.
- Radial Bearing:** Open Single Ball.
- Thrust Bearing:** Open Double Ball.
- Bearing Cavity Lubrication:** Lithium EP2 Grease.
- Gaskets:** Buna-N and Red Rubber.
- O-Rings:** Buna-N.
- Hardware:** Standard Plated Steel.
- Seal Cavity Oil Level Sight Gauges.**



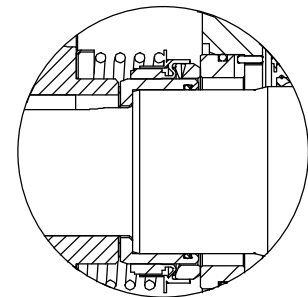
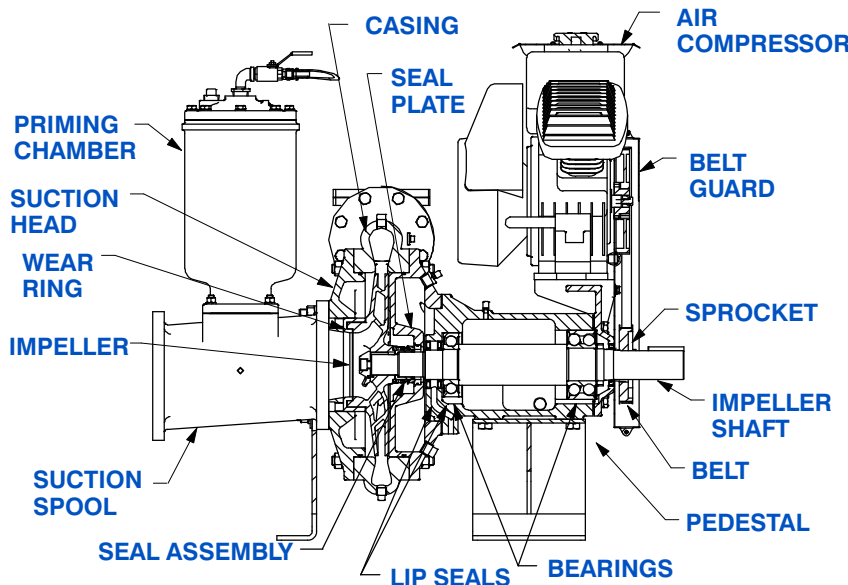
\* Consult Factory for Applications Exceeding Maximum Pressure and/or Temperature Indicated.

**Standard Equipment:** Belt Driven Air Compressor. Strainer.

**Optional Equipment:** Base. NPT Threaded Flange Kit. Coupling. TEFC Motor. Heated Priming Chamber Kit. Suction Vacuum and Discharge Pressure Gauge Kit.

**WARNING!**

Do not use in explosive atmosphere or for pumping volatile flammable liquids.



**SEAL DETAIL**

Mechanical, SAE 30 Non-Detergent Oil Lubricated. Silicon Carbide Rotating Face and Stationary Seat. Fluorocarbon Elastomers (DuPont Viton® or Equivalent). Stainless Steel 316 Cage and Spring. Maximum Temperature of Liquid Pumped 160°F (71° C).\*



GORMAN-RUPP PUMPS

www.grpumps.com

Specifications Subject to Change Without Notice

Printed in U.S.A.

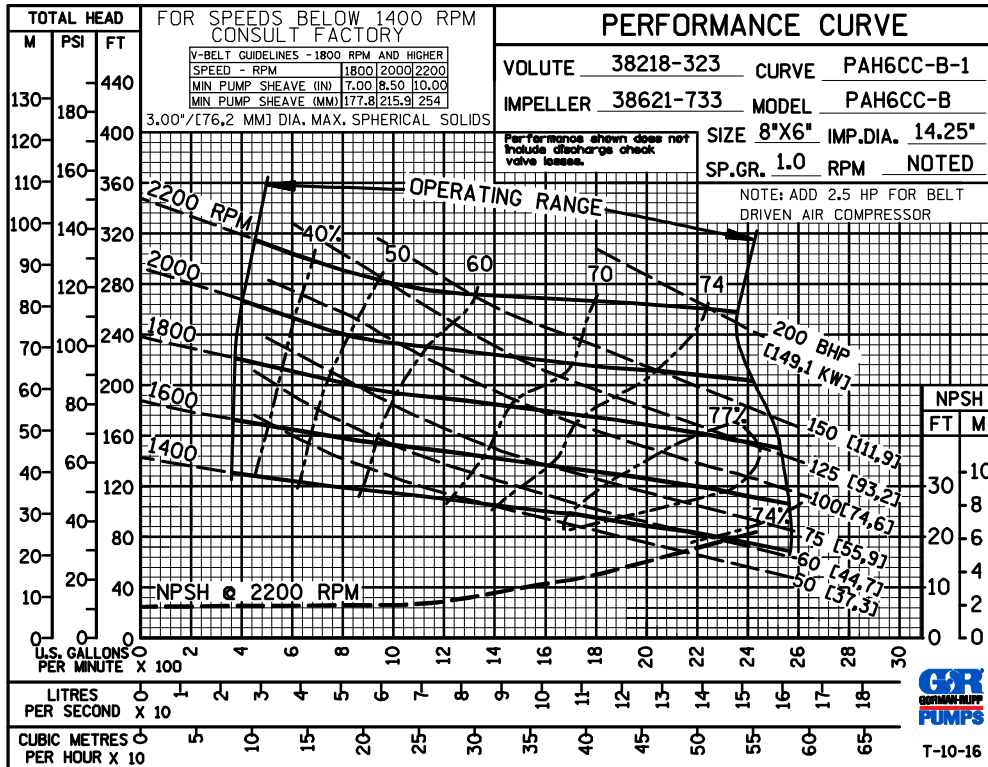
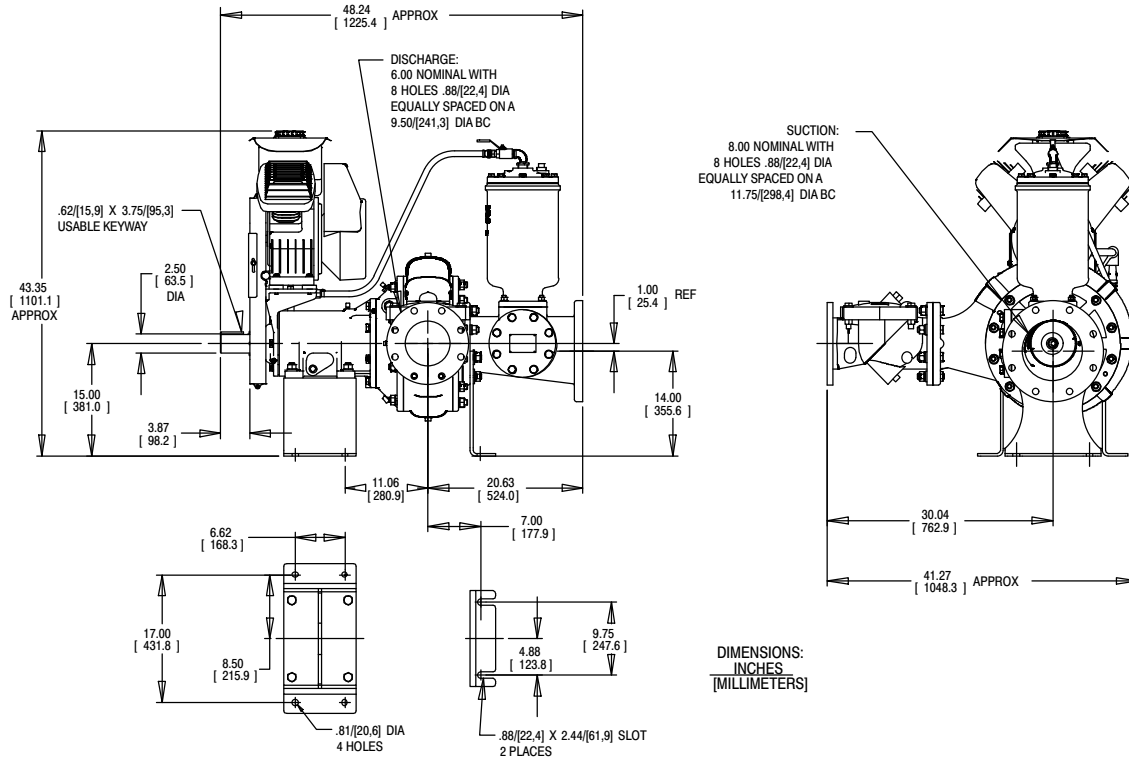
**Specification Data**

**SECTION 43, PAGE 296**

APPROXIMATE  
DIMENSIONS and WEIGHTS

**NET WEIGHT:**  
**SHIPPING WEIGHT:**  
**EXPORT CRATE SIZE:**

**1280 LBS. (580,6 KG.)**  
**1380 LBS. (626 KG.)**  
**65 CU. FT. (1,8 CU. M.)**



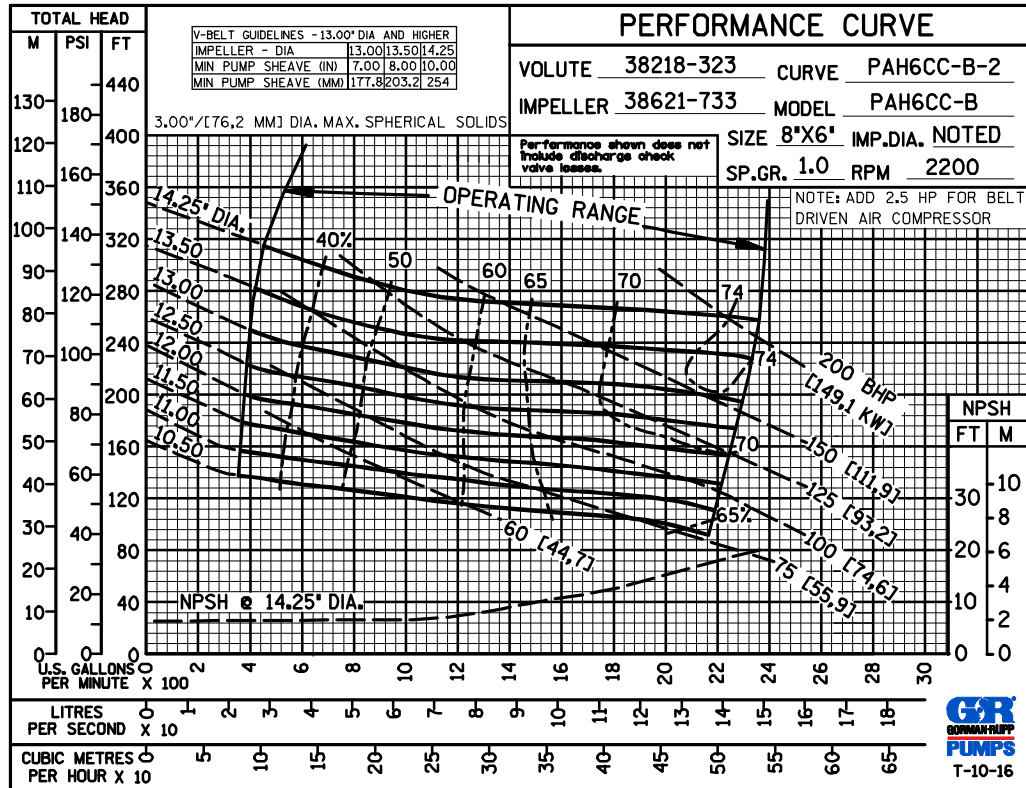
**GORMAN-RUPP PUMPS**

www.grpumps.com

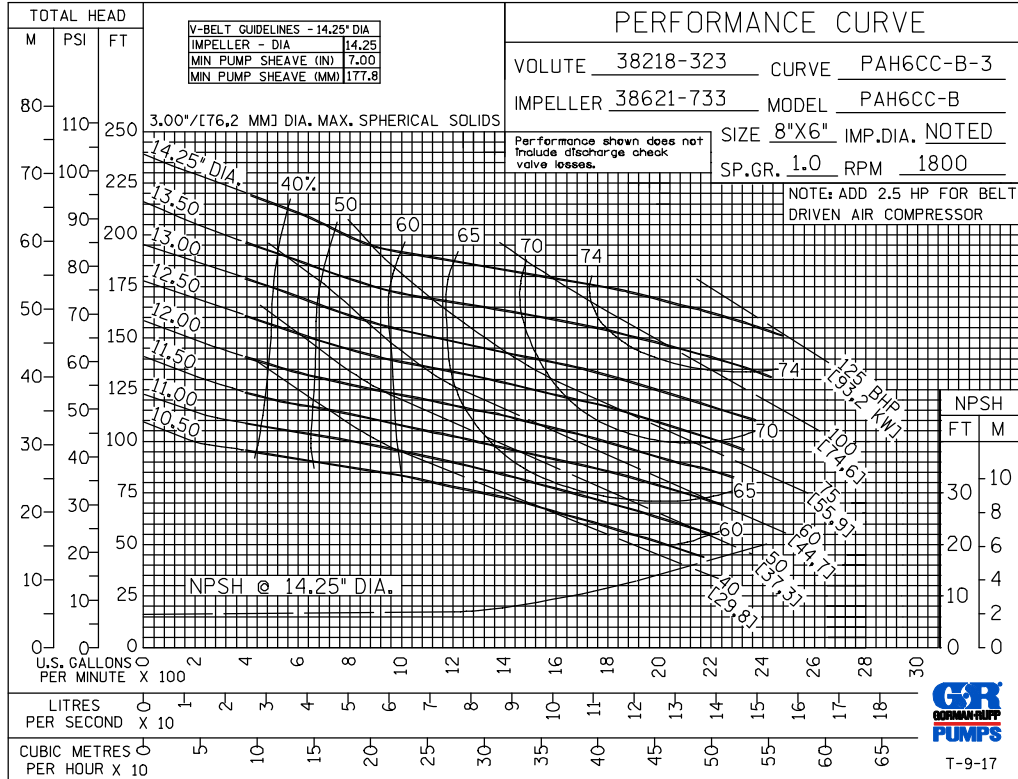
Specifications Subject to Change Without Notice

Printed in U.S.A.

PERFORMANCE  
BASED ON  
WATER  
  
TRIMMED  
IMPELLER



PERFORMANCE  
BASED ON  
WATER  
  
TRIMMED  
IMPELLER



GORMAN-RUPP PUMPS

www.grpumps.com

Specifications Subject to Change Without Notice

Printed in U.S.A.