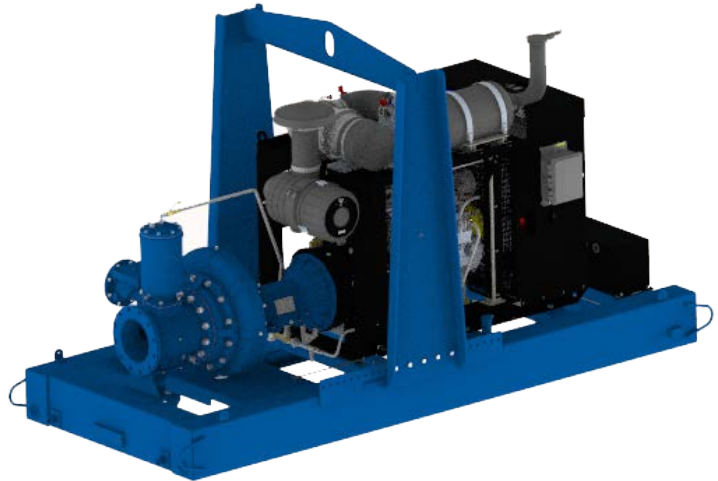




Priming Assisted Centrifugal Pump w/Autostart Model PAH6B60-6068H FT4 Size 10" x 6"



Total Head		Capacity of Pump in U.S. Gallons per Minute (GPM) at Continuous Performance			
P.S.I.	Feet				
107.5	248	350	350	350	350
97.5	225	1200	1200	1200	1200
86.7	200	1600	2000	2000	2000
75.9	175	1630	2640	2750	2750
65.0	150	1620	2700	3275	3320
54.2	125	1620	2700	3450	3790
43.4	100	1610	2700	3520	4050
Suction Lift		25'	20'	15'	10'



PUMP SPECIFICATIONS

Size: 10" x 6" (254 mm x 152 mm) Flanged.
Casing: Ductile Iron 65-45-12.
 Maximum Operating Pressure 164 psi (1131 kPa).*
Enclosed Type, Two Vane Impeller: Ductile Iron 65-45-12.
 Handles 3" (76,2 mm) Diameter Spherical Solids.
Suction Head: Gray Iron 30.
Suction Spool: Gray Iron 30.
Impeller Shaft: Alloy Steel 4150M.
Externally Adjustable, Replaceable Wear Ring: Ductile Iron 65-45-12.
Bearing Pedestal: Gray Iron 30.
Seal Plate: Gray Iron 30.
Seal: Mechanical, SAE 30 Non-Detergent Oil-Lubricated. Silicon Carbide Rotating Face and Stationary Seat. Fluorocarbon Elastomers (DuPont Viton® or Equivalent). Stainless Steel 316 Cage and Stainless Steel 18-8 Spring. Maximum Temperature of Liquid Pumped 160 F (71 C).*
Shaft Sleeve: Stainless Steel 303/304.
Priming Chamber: Gray Iron 30 Housing w/Stainless Steel Float and Linkage.
Discharge Check Valve: Ductile Iron Housing w/Buna-N Flapper.
Radial Bearing: Open Roller.
Thrust Bearing: Open Double Ball.
Bearing Cavity Lubrication: Lithium EP2 Grease.
Gaskets: Vegetable Fiber.
O-Rings: Buna-N.
Hardware: Standard Plated Steel.
Seal Cavity Oil Level Sight Gauges.

*Consult Factory for Applications Exceeding Maximum Pressure and/or Temperature Indicated.

Standard Equipment: Gear-Driven Air Compressor. Hoisting Bail. [Full Feature Control Panel](#) Combination Skid Base w/Fuel Tank. [Single Ball Type Float Switch](#).**

**50 Ft. (15 m) Standard Length; Dual Switches and Alternate Cable Lengths Available From the Factory.

Optional Equipment: Battery. Strainer. Skid Drag Base Kit. NPT Threaded Flange Kit. Suction Vacuum and Discharge Pressure Gauge Kit. High Speed (55 MPH/89 KM/H) Tandem Axle Pneumatic-Tired Wheel Kit w/wo DOT-Approved Lights and Electric Brakes. [Tandem Axle Over-the-Road Trailer](#) (Meets DOT Requirements) Available w/Either Electric or Hydraulic Surge Brakes, Running Lights, Jack Stands and Safety Chains/Cables. Liquid Level Transducer.

WARNING!

Do not use in explosive atmosphere or for pumping volatile flammable liquids.

ENGINE SPECIFICATIONS

Model: John Deere 6068HFC08.
EPA Tier: Final Tier 4.
Type: Six Cylinder, Charge-Air Cooled Diesel Engine. Enclosed. With Air Compressor
Displacement: 415 Cu. In. (6,8 liters).
Lubrication: Forced Circulation.
Air Cleaner: Dry Type.
Fuel Tank: 131 U.S. Gals. (496 liters).
Full Load Operating Time: 13.1 Hrs.
Starter: 12V Electric.

Standard Features: Muffler w/Guard and Weather Cap, DOC/DPF and SCR Exhaust After-Treatment System.

Optional: Electronic Fuel Level Sensor.

Engine Control Features: Padlockable Box with Throttle Control, Tachometer, Coolant Temperature, Oil Pressure, Voltage and Overstart Indicators/Shutdowns. Manual/Stop/Auto Keyswitch. Audible Startup Warning Delay. Fuel Level Display/Alarm/Shutdown (For Use With Optional Fuel Level Sensor).

JOHN DEERE PUBLISHED PERFORMANCE:
 Maximum Gross BHP (Intermittent)
 250 (187 kW) @ 2400 RPM



GORMAN-RUPP PUMPS

www.grpumps.com

Specifications Subject to Change Without Notice

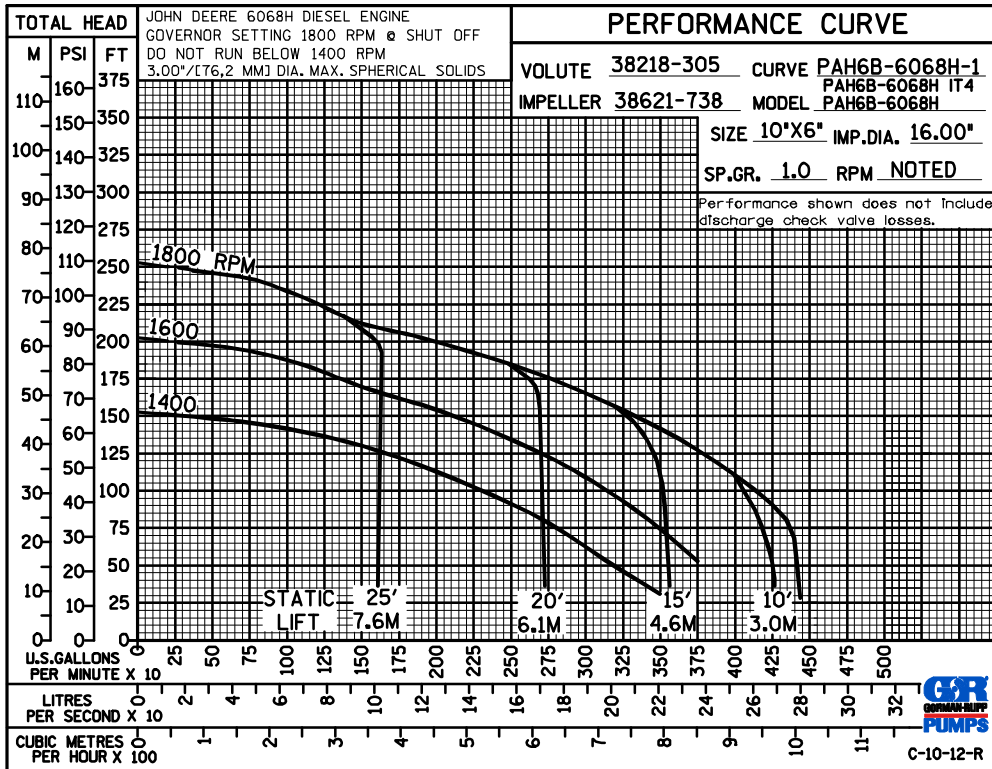
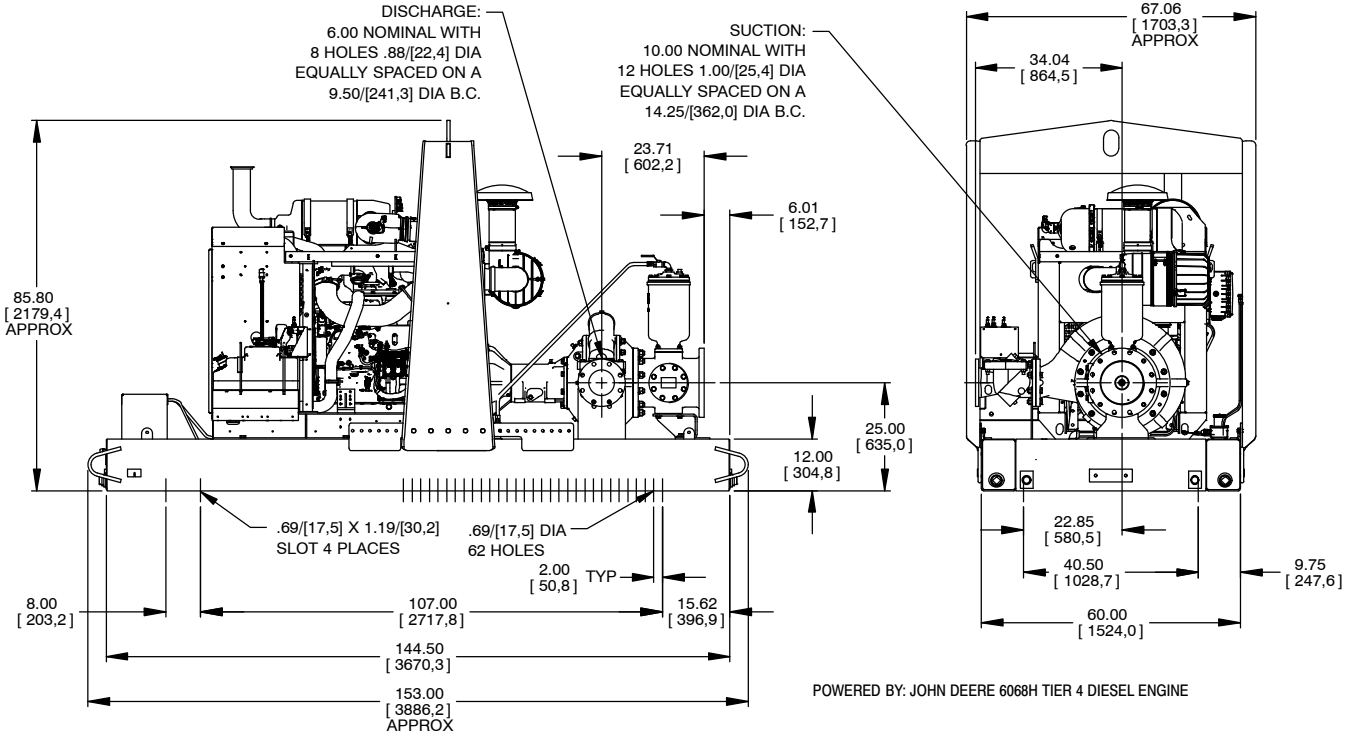
Printed in U.S.A.

Specification Data

APPROXIMATE DIMENSIONS and WEIGHTS

NET WEIGHT: 6800 LBS. (3084 KG.)
SHIPPING WEIGHT: 7280 LBS. (3302 KG.)
EXPORT CRATE SIZE: 581 CU. FT. (16,5 CU. M.)

SECTION 43, PAGE 312



GORMAN-RUPP PUMPS

www.grpumps.com

Specifications Subject to Change Without Notice

Printed in U.S.A.